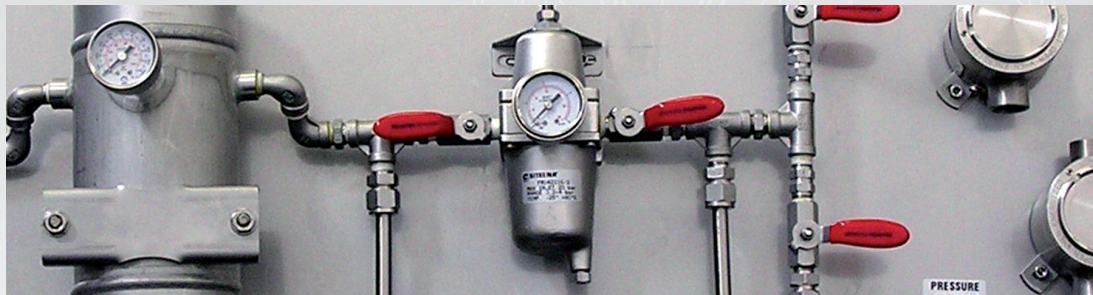


FLUID CONTROL COMPONENTS & ENGINEERED SYSTEMS



Quality

Sitecna[®] is committed to granting the highest standards of quality, safety, and responsiveness through all our activities, both internal and external.

Total quality concept is our basic strategy influencing every single choice and providing a solid base for our current and future growth.

We use our energies and skills with humility and an open mind team approach in order to meet or exceed our customers expectations for quality and performance.



Our commitment towards continuous improvements of our management is certified in accordance with ISO9001 requirements from ANCIS.

Index - Indice



GENERAL INFORMATION:

p.4

- Company profile
- Organization
- Know how
- Customers & applications
- Engineering capabilities
- HSE policy



PRODUCT INDEX:

p.11

- Section A /Air-gas preparation equipments
- Section B/Control valves
- Section C/Instruments & accessories



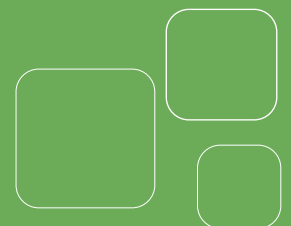
TECHNICAL INFORMATION:

p.172

- ISO 9001:2015
- 2014/34/UE air equipments declaration
- EAC material approval
- EN10204/3.1 certificate prototype
- PED declaration
- SIL certificate
- IP66 certificate
- Material compatibility chart
- Materials temperature range



GENERAL INFORMATION



Company Profile

Born in 1986 as a commercial company, Sitecna® has developed a very technical and high level experience in fluid control. Our know how in components and engineered systems stems from years of problem facing and solving for the most critical sectors.

Thanks to a very experienced team of engineers 20 years ago we started to design and develop an innovative range of pneumatic products to satisfy the needs of operations critical for temperature, aggressive environments and classified areas.

Today at our headquarters located in Milan, Italy, we design, build and sell components and systems for the chemical, petrochemical, energy and glass sector, offering our range of pneumatic equipments for the most demanding applications. Our products are the standard for non-standard specifications of the most important companies in the instrumentation, analysis, safety systems, process valve control and process automation fields.

Our range includes but is not limited to the following products :

SS316L or Aluminium alloy air/gas preparation equipments

- filter/regulators, switch valves, volume boosters)

SS316L or Aluminium alloy control valves

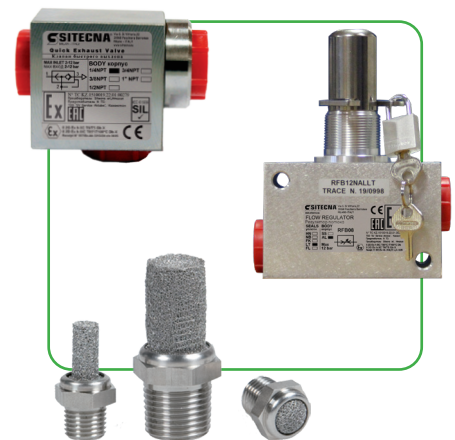
- spool valves, lock-up, quick exhausts, flow regulators)

SS316L or special alloy instrumentation accessories

- pressure gauges, silencers, dust excluder, vacuum pumps, flow-meters)

Special or standard engineered systems

Sitecna is dedicated to developing unique and tailored products carefully listening to our customers and so improving efficiency and reliability of equipments and operations



Organization

Sitecna® 1000m² owned headquarter in Peschiera Borromeo (MI) Italy is the design, testing & stocking center for every product.

Our location very near to Linate airport and to main communication ways, allows quick deliveries and quick shipments to domestic and international customers.



Our sales organization is helped by a capillary distribution network granting assistance in all the most important areas of the world.

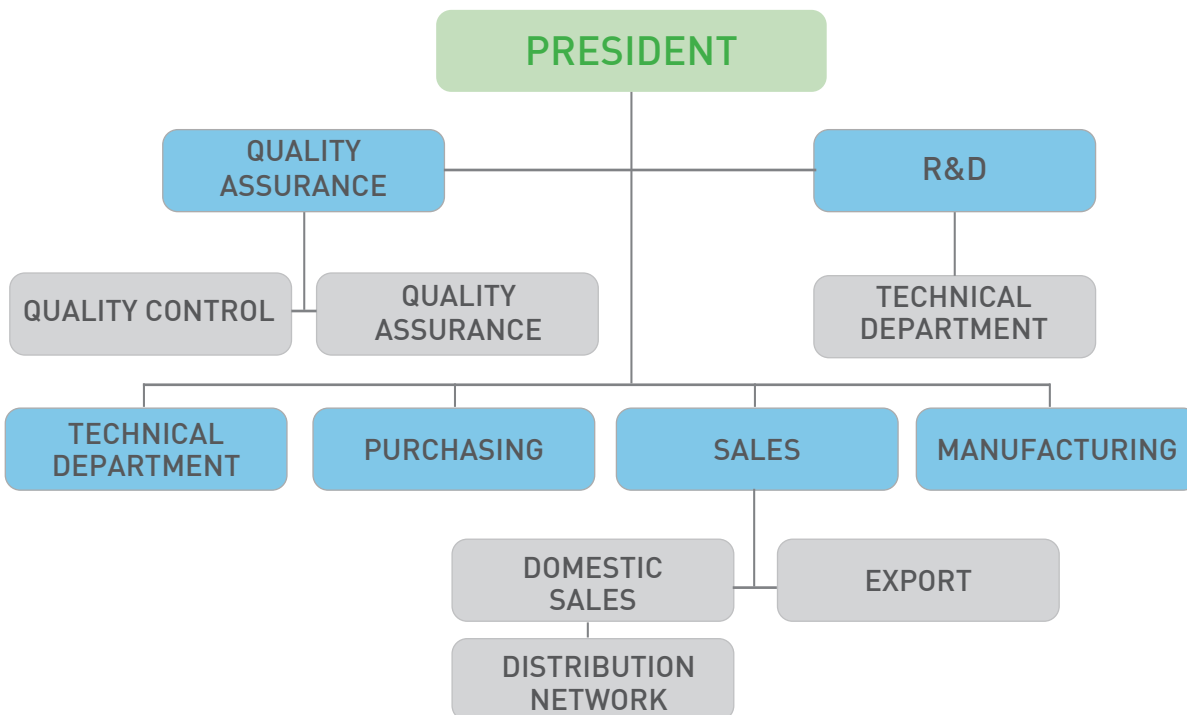
Contacts

General info : info@sitecna.eu

Sales info : mkt@sitecna.eu

Technical info : ufficio.tecnico@sitecna.eu

Account info : amministrazione@sitecna.eu

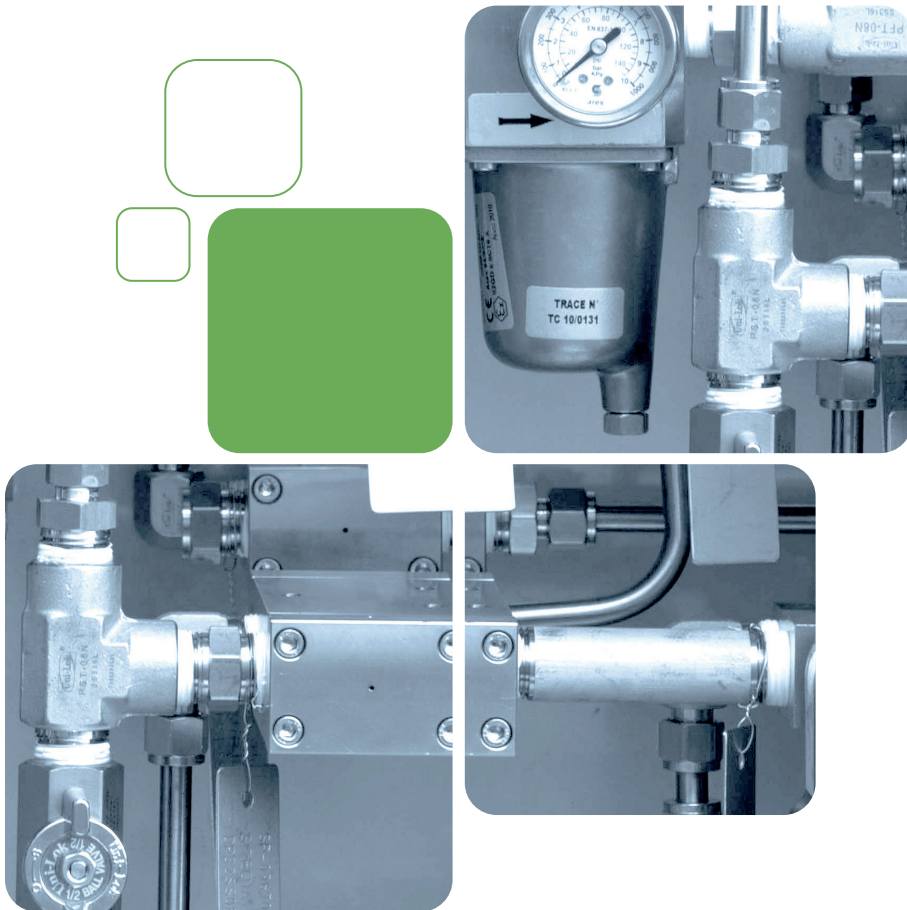


Know How

Almost thirty years of experience in the design, manufacture and distribution of high quality products and solutions for the most demanding applications.

A wide products range and a high level experience to face all you critical fluid control needs.

Technical approach in developing and anticipating international standards make us your **Trusted Partner!**



Customers & Applications

Sitecna has built its reputation for quality products among the largest industrial companies. End users, OEM, engineering companies are our typical customers.

Sitecna products are developed to satisfy the stringent needs of the oil, gas, petrochemical, refining, power, pharmaceutical and general process-instrumentation industries.

Our products are used where corrosion resistance and extreme temperatures are critical factors.



Engineering capabilities

Our engineering team comes from years of experience in the design of technological solutions.

We can offer a very specific know how in the following sectors:

Electro-pneumatic automation

Analysis

Fire & gas

Instrumentation



Health, Safety and Environment Policy - HSE

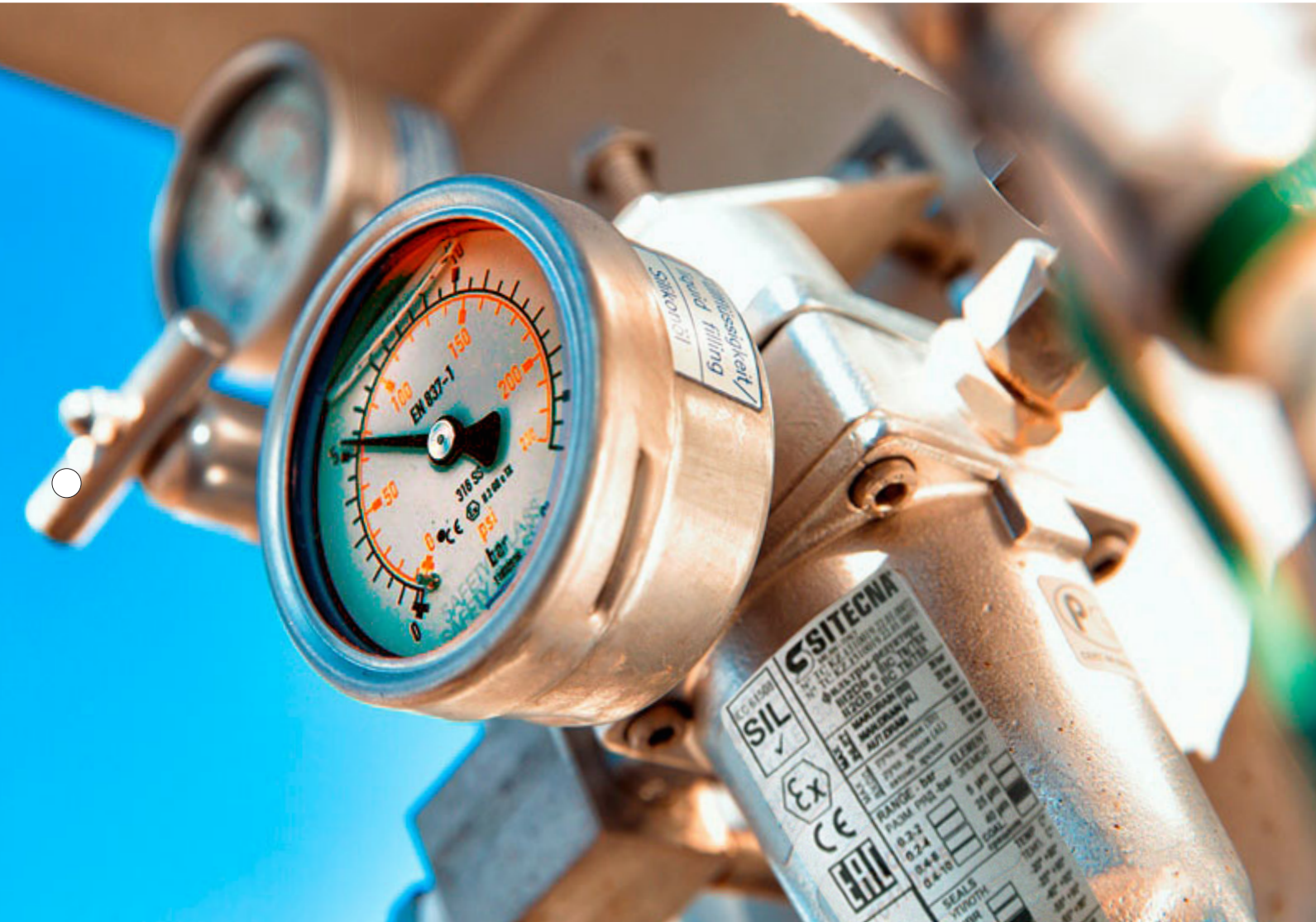
Sitecna® management is committed to providing a safe and healthful place of work throughout all of our facilities, offices and work sites and to make every effort towards eliminating any environmentally adverse effects of our operations.

We implement and continually improve an HSE management by:

- **providing adequate control of the health and safety risks arising from our work activities;**
- **providing and maintaining safe plant and equipments;**
- **ensuring safe handling and use of substances;**
- **providing information, instruction and supervision for employees;**
- **ensuring all employees are competent to do their tasks, and to give them adequate training;**
- **maintaining safe and healthy working conditions and reviewing and revising this policy as necessary at regular intervals.**

Our management is also committed to achieve improvements in the overall company environmental performance including prevention of pollution and conservation of natural resources.

All our needed electric energy is generated by the photovoltaic plant on the roof of our structure.



PRODUCTS

- Section A /Air-gas preparation equipments p.12
- Section B/Control valves p. 102
- Section C/Instruments & accessories p. 155

Section A – Air/gas Preparation Equipments Sezione A – Apparecchi per trattamento aria/gas

A complete range of components for air-gas preparation designed to be used in the harshest environments

- Pressure regulators, Filter regulators, Filters, Volume Boosters
- Standard Sizes 1/4", 3/8", 1/2", 3/4", 1" NPT (1 1/2" & 2" for filters)
- Copper free aluminum alloy or Stainless steel 316 complete construction
- Standard seals & diaphragm available in NBR, EPDM, FVQM, FKM, HNBR
- Standard filtering elements available coalescing type or 3, 5, 25 and 40 micron in SS316
- Temperature range from -55°C to 90°C
- Manual o automatic condensate drain
- Relieving or Non relieving versions
- Max inlet pressure to 30bar
- Full material traceability
- EN10204 3,1, ATEX, SIL, IP66 and EAC TR CU certified range
- 100% Italian production



Una gamma di componenti per il trattamento di aria e gas progettata per l'utilizzo negli ambienti più insospitati

- Regolatori di pressione, Filtri regolatori, Filtri, Amplificatori di flusso
- Connessioni std da 1/4", 3/8", 1/2", 3/4", 1"NPT (1 1/2", 2" per i filtri)
- Costruzione completamente in alluminio esente rame o acciaio inossidabile AISI316
- Tenute e diaframmi std in NBR, EPDM, FKM, HNBR
- Elementi filtranti a coalescenza od in SS316 da 3, 5, 25 o 40 micron
- Temperature da -55°C a +90°C
- Scarichi condensa automatici o manuali
- Pressioni di alimentazione fino a 30BAR
- Completa rintracciabilità di tutti i componenti
- Certificati EN10204 3,1, ATEX, SIL, IP66, EAC TR CU
- Produzione 100% italiana

Index - Indice

p. 16 **Ordering information**

Informazioni per l'ordine

Filters

Filtri



p. 17 **Copper free aluminum alloy filters**

Filtri in lega di alluminio esente rame

**1/4", 3/8", 1/2", 3/4", 1", 1 1/2", 2"NPT
coalescing, 5 micron, 25 micron, 40 micron**



p. 29 **Stainless steel 316L pneumatic filters**

Filtri per pneumatica in AISI316L

**1/4", 3/8", 1/2", 3/4", 1", 1 1/2", 2"NPT
coalescing, 5 micron, 25 micron, 40 micron**



p. 41 **AISI316L filters with borosilicate bowl**

Filtri con tazza inferiore in vetro borosilicato AISI316L

**NEW
PRODUCT**

**1/4"NPT
coalescing, 3 micron, 5 micron, 40 micron**



p. 44 **Stainless steel 316L miniaturized filters**

Filtri per pneumatica in AISI316L

**1/4"NPT
coalescing, 5 micron, 25 micron**



p. 46 **Copper free aluminum alloy filter regulators**

Regolatori di pressione in lega di alluminio esente

1/4"NPT



p. 47 Ordering information

Informazioni per l'ordine

Pressure regulators

Regolatori di pressione



p. 48 Copper free aluminum alloy pressure regulators

Regolatori di pressione in lega di alluminio esente rame

1/4", 3/8", 1/2", 3/4", 1"NPT



p. 57 Stainless steel 316L pressure regulators

Regolatori di pressione in AISI316L

1/4", 3/8", 1/2", 3/4", 1"NPT



p. 66 Ordering information

Informazioni per l'ordine

Filters regulators

Filtri Regolatori



p. 67 Copper free aluminum alloy pressure regulators

Regolatori di pressione in lega di alluminio esente rame

1/4", 1/4" high flow, 3/8", 1/2", 3/4", 1"NPT

NEW PRODUCT



p. 79 Stainless steel 316L filter regulators

Filtri regolatori di pressione in AISI316L

1/4", 1/4" high flow, 3/8", 1/2", 3/4", 1"NPT

NEW PRODUCT



p. 92

Ordering information

Informazioni per l'ordine

Volume Boosters

Amplificatori di flusso



p. 93

Copper Free aluminium alloy volume booster

Amplificatore di flusso in lega di alluminio esente rame

1/4", 1/2", 3/4", 1"NPT

Free exhaust, threaded exhaust port



p. 97

Stainless steel 316L volume booster

Amplificatore di flusso in AISI316L

1/4", 1/2", 3/4", 1"NPT

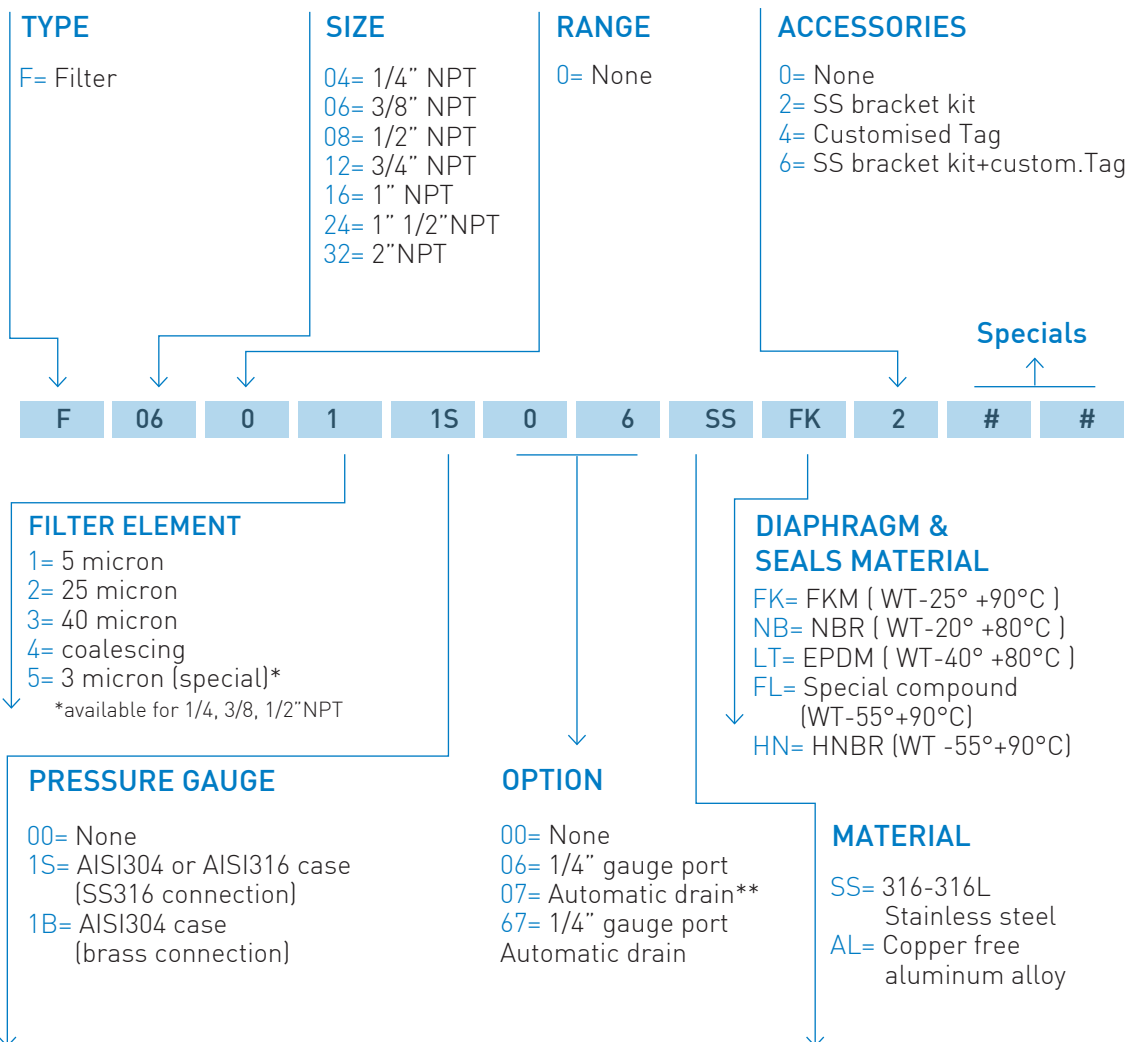
Free exhaust, threaded exhaust port



Ordering information - Filters

Come ordinare - Filtri

www.sitecna.eu



CODE EXAMPLES

F	04	0	4	1S	0	0	SS	FK	2		
---	----	---	---	----	---	---	----	----	---	--	--

1/4"NPT, SS316 filter regulator, with coalescing filtering element, SS pressure gauge, manual drain, ss bracket kit and FKM diaphragm & seals
 Filtro da 1/4"NPT in AISI316, elemento filtrante da coalescenza, manometro tutto inox, scarico condensa manuale, staffa inox, diaframma e tenute in FKM

F	32	0	1	00	0	7	AL	NB	0		
---	----	---	---	----	---	---	----	----	---	--	--

2"NPT, aluminum alloy filter, with 5 micron filtering element, automatic drain and NBR diaphragm & seals
 Filtro da 1"NPT in alluminio esente rame, elemento filtrante da 5 micron, scarico condensa automatico, diaframma e tenute in FKM



**** Note for automatic drain: use not recommended for T<2°C (under this T the moisture in the medium could freeze and cause drain malfunction or breaking) / Nota per scarico automatico: uso non raccomandato per T<2°C (sotto questa T la condensa può ghiacciare e causare malfunzionamenti o rotture).**

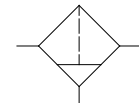
01-F/21A

www.sitecna.eu

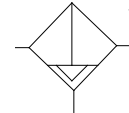
Copper free aluminum alloy 1/4" NPT filter- F serie

Filtro da 1/4" NPT in lega di alluminio esente rame- serie F

- Suitable to automation equipment, to onshore, offshore, pharmaceutical, medical and food applications
- Full material traceability
- High flow capacity
- ATEX 2014/34/UE II 2G Ex h IIC T6/T5 Gb X
II 2D Ex h IIIC T85°C/T100°C Db X
- & approved /IP66
- Adatto per automazione in applicazioni marine, petrolchimiche, farmaceutiche, medicali e alimentari.
- Completa rintracciabilità dei materiali
- Elevate portate
- ATEX 2014/34/UE II 2G Ex h IIC T6/T5 Gb X
II 2D Ex h IIIC T85°C/T100°C Db X
- Approvato ed / IP66



Manual Drain



Automatic Drain

Media / Fluido	Compressed air, inert gases, sweet and sour gases
Port thread / Connessioni	1/4"
Gauge Connection Connessione manometro	1/8"NPT (1/4"NPT option)
Filtering element Elemento filtrante	Coalescing or 3, 5, 25, 40 micron in st. st. 316
Max inlet pressure Pressione massima di ingresso	25bar (16bar automatic drain version)
Drain valve / Scarico condensa	manual or automatic
Flow Rate (@6 bar Inlet pressure, delta P=0.5bar)/ Portata	1/4" - 1000dm³/min Cv=1,4
Working Temperature Temperatura di esercizio	-20°C up to 80°C (NBR); -25°C up to 90°C (FKM); -40°C up to 80°C (EPDM); -55° up to 90°C (FVMQ)*

Air supply must be dry enough to avoid ice formation at temperatures below +2°C (+35°F).

*Special version in HNBR (WT -55°C + 90°C)

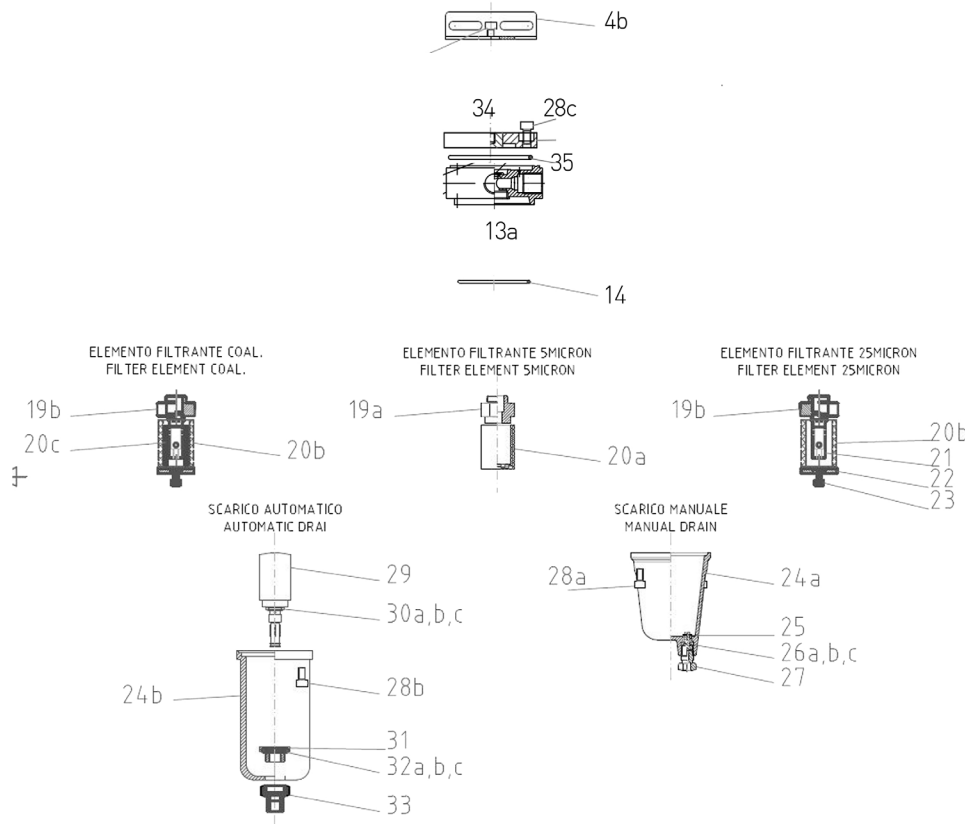
It provides excellent filtration for a wide range of applications. Rugged and corrosion-resistant – made of copper free aluminium alloy and AISI304/316 stainless steel. Compact small package size / Permette una filtrazione accurata per una vasta gamma di applicazioni. Robusto e resistente alla corrosione – Costruito in lega di alluminio esente rame tropicalizzata e SS304/316. Dimensioni di ingombro ridotte

BUILDING MATERIALS	Materiali costruttivi
Body, bonnet, bowl in tropicalized aluminum	Corpo, coperchio, tazza in lega di alluminio tropicalizzata
Internals, bracket, lock and panel nuts, fixing screws in stainless steel	Particolari interni, staffa, dadi di bloccaggio a pannello, viti di fissaggio in acciaio inossidabile
Seals in elastomer	Tenute in elastomero
3, 5, 25 & 40 micron filtering element in AISI316 stainless steel	Elemento filtrante da 3, 5, 25 e 40 micron in acciaio inossidabile AISI316
Coalescing filtering element in bonded micro-fibre	Elemento filtrante a coalescenza in microfibra

BT-F04AL/C20A

Product exploded view

Esploso del prodotto



Pos.	Q.ty	Description	Descrizione
3	1	BRACKET NUT	DADO STAFFA
4b	1	BRACKET	STAFFA
13a	1	BODY	CORPO
14	2	O-RING	O-RING
19a	1	FILTER ELEMENT SUPPORT 5mic	SUPPORTO ELE. FILTRANTE 5 MIC
19b	1	FILTER ELEMENT SUPPORT 25mic	SUPPORTO ELE. FILTRANTE 25 MIC
20a	1	FILTER ELEMENT 5 MICRON	ELEMENTO FILTRANTE 5 MIC
20b	1	FILTER ELEMENT 25 MICRON	ELEMENTO FILTRANTE 25 MIC
20c	1	FILTER ELEMENT COALESCING	ELEMENTO FILTRANTE COALESC.
21	1	FILTER ELEMENT SUPPORT	SUPPORTO ELE. FILTRANTE
22	1	FILTER ELEMENT CASEBACK	BASE ELEMENTO FILTRANTE
23	1	SCREW M4X6	VITI M4X6
24a	1	MANUAL DRAIN BOLW	TAZZA SCARICO MANUALE
24b	1	AUTOMATIC DRAIN BOLW	TAZZA SCARICO AUTOMATICO
25	1	BENZIN	ANELLO BENZIN
26	1	O-RING	O-RING
27	1	MANUAL DRAIN	SCARICO MANUALE
28a	4	SCREW MAN. DRAIN M5X10	VITI SCARICO MANUALE M5X10
28b	4	SCREW AUTO DRAIN M5X16	VITI SCARICO AUTO M5X16
28c	4	BONNET SCREW M5X10	VITI PIATTELLO SPERIORE M5X10
29	1	AUTOMATIC DRAIN	SCARICO AUTOMATICO
30	1	O'RING AUTO DRAIN	O'RING SCARICO AUTO
31	1	AUTOMATIC DRAIN SEAT	SEDE SCARICO AUTOMATICO
32	1	O'RING AUTOM. DRAIN	O'RING SCARICO AUTO
33	1	AUTOMATIC DRAIN SEAT	SEDE SCARICO AUTOMATICO
34	1	FILTER TOP	PIATTELLO SUPERIORE
35	1	O-RING	O-RING

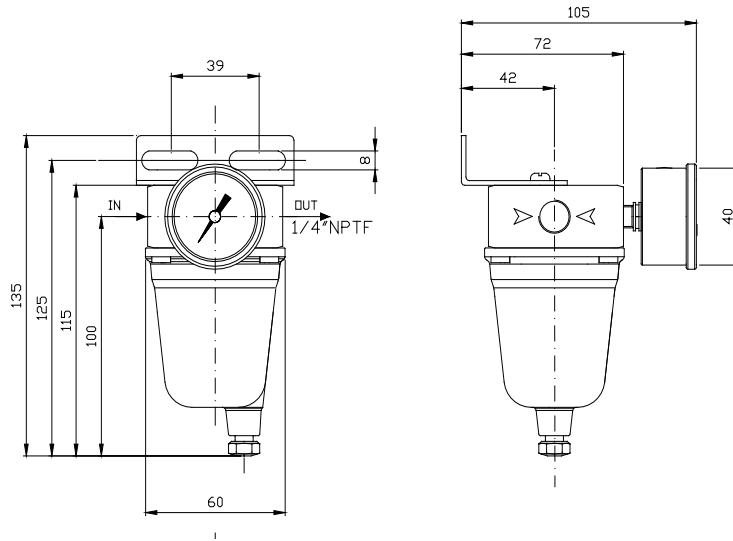
Overall dimension

Dimensioni di ingombro

Manual drain

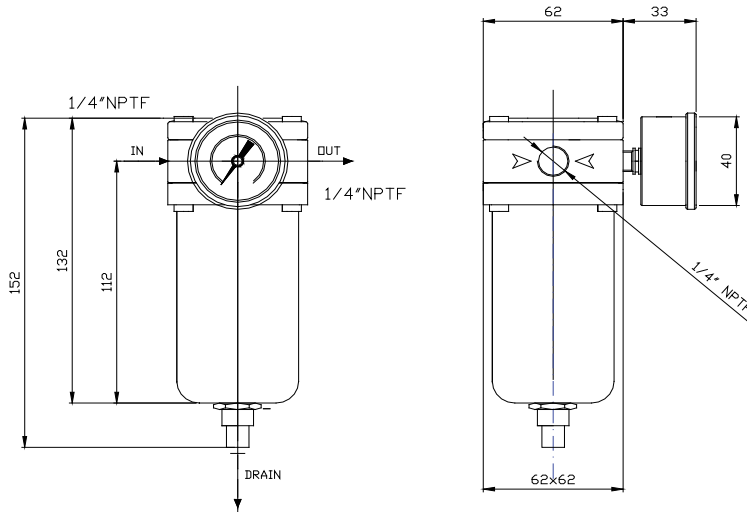
Scarico manuale

F04 A = 1/4"



Automatic drain

Scarico automatico



Note for automatic drain:
- max inlet pressure 16bar
- not recommended for T<2°C

Nota per scarico automatico:
- massima pressione di utilizzo 16bar
- non raccomandato per T<2°C

Accessories and repair kit

Accessori e ricambi




Maintenance kit / Kit manutenzione	Items K-F04-*-AL-** [1/4"]
Pressure gauge DN40mm, all AL Bar+psi+kpa range / Manometro DN40mm, cassa inox, scala Bar+psi+kpa	0-2bar MBSNP4S2PN3S 0-4bar MBSNP4S2PN05 0-10bar MBSNP4S2PN07
Bracket / Staffa	SQ-FR04/S




* Refers to filter element option: 1→5 micron; 2→25 micron; 3→40 micron ; 4→coalescing; 5→3 micron

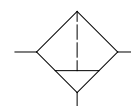
** Refers to seals type: FK→FKM NB→NBR LT→EPDM FL→FVMQ HN→HNBR

Copper free aluminum alloy 3/8" - 1/2" NPT filter- F serie

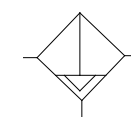
Filtro da 3/8" - 1/2" NPT in lega di alluminio esente rame- serie F

- Suitable to automation equipment, to onshore, offshore, pharmaceutical, medical and food applications
- Full material traceability
- High flow capacity
- ATEX 2014/34/UE  II 2G Ex h IIC T6/T5 Gb X
II 2D Ex h IIIC T85°C/T100°C Db X
-  &  approved /IP66

- Adatto per automazione in applicazioni marine, petrolchimiche, farmaceutiche, medicali e alimentari.
- Completa rintracciabilità dei materiali
- Elevate portate
- ATEX 2014/34/UE  II 2G Ex h IIC T6/T5 GbX
II 2D Ex h IIIC T85°C/T100°C Db X
- Approvato  ed  / IP66



Manual Drain



Automatic Drain

Media / Fluido	Compressed air, inert gases, sweet and sour gases
Port thread / Connessioni	3/8"-1/2" NPT
Gauge Connection Connessione manometro	1/8"NPT (1/4"NPT option)
Filtering element Elemento filtrante	Coalescing or 3, 5, 25, 40 micron in st. st. 316
Max inlet pressure Pressione massima di ingresso	25bar (16bar automatic drain version)
Drain valve / Scarico condensa	manual or automatic
Flow Rate (@6 bar Inlet pressure, delta P=0.5bar)/ Portata	1/2" - 4815dm ³ /min Cv=6,6
Working Temperature Temperatura di esercizio	-20°C up to 80°C (NBR); -25°C up to 90°C (FKM); -40°C up to 80°C (EPDM); -55° up to 90°C (FVMQ)*

Air supply must be dry enough to avoid ice formation at temperatures below +2°C (+35°F).

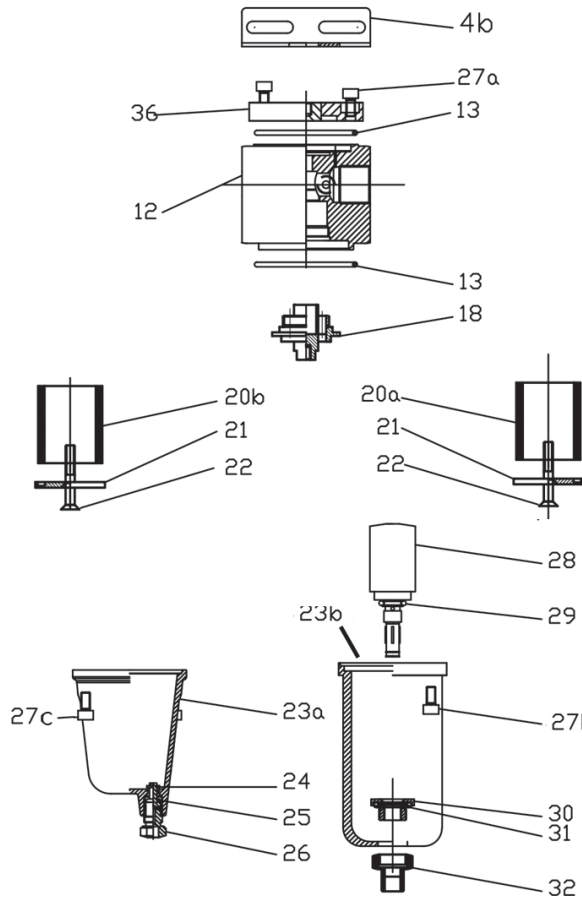
*Special version in HNBR (WT -55°C + 90°C)

It provides excellent filtration for a wide range of applications. Rugged and corrosion-resistant – made of copper free aluminium alloy and AISI304/316 stainless steel. Compact small package size / Permette una filtrazione accurata per una vasta gamma di applicazioni. Robusto e resistente alla corrosione – Costruito in lega di alluminio esente rame tropicalizzata e SS304/316. Dimensioni di ingombro ridotte

BUILDING MATERIALS	Materiali costruttivi
Body, bonnet, bowl in tropicalized aluminum	Corpo, coperchio, tazza in lega di alluminio tropicalizzata
Internals, bracket, lock and panel nuts, fixing screws in stainless steel	Particolari interni, staffa, dadi di bloccaggio a pannello, viti di fissaggio in acciaio inossidabile
Seals in elastomer	Tenute in elastomero
3, 5, 25 & 40 micron filtering element in AISI316 stainless steel	Elemento filtrante da 3, 5, 25 e 40 micron in acciaio inossidabile AISI316
Coalescing filtering element in bonded micro-fibre	Elemento filtrante a coalescenza in microfibra

Product exploded view

Esploso del prodotto



Pos.	Q.ty	Description	Descrizione
4b	1	BRACKET F04	STAFFA
12	1	BODY	CORPO
13	2	O-RING	O-RING
18	1	FILTER ELEMENT SUPPORT	SUPPORTO ELE. FILTRANTE
20a	1	FILTER ELEMENT 5 MICRON	ELEMENTO FILTRANTE 5 MIC
20b	1	FILTER ELEMENT 25 MICRON	ELEMENTO FILTRANTE 25 MIC
21	1	FILTER ELEMENT PLUG	BASE ELEMENTO FILTRANTE
22	1	SCREW M5X30	VITE M5X30
23a	1	MANUAL DRAIN BOLW	TAZZA SCARICO MANUALE
23b	1	AUTOMATIC DRAIN BOLW	TAZZA SCARICO AUTOMATICO
24	1	BENZIN	ANELLO BENZIN
25	1	O'RING DRAIN	O'RING DRAIN
26	1	MANUAL DRAIN	SCARICO MANUALE
27a	4	SCREW M5X10	VITI PIATTELLO SPERIORE M5X10
27b	4	SCREW AUTO DRAIN M5X16	VITI SCARICO AUTO M5X16
27c	4	SCREW MAN DRAIN M5X10	VITI SCARICO MANUALE M5X10
28	1	AUTOMATIC DRAIN	SCARICO AUTOMATICO
29	1	O'RING AUTO DRAIN	O'RING SCARICO AUTO
30	1	AUTOMATIC DRAIN SEAT	SEDE SCARICO AUTOMATICO
31	1	O'RING AUTO DRAIN	O'RING SCARICO AUTO
32	1	AUTOMATIC DRAIN SEAT	SEDE SCARICO AUTOMATICO
36	1	FILTER TOP	PIATTELLO SUPERIORE

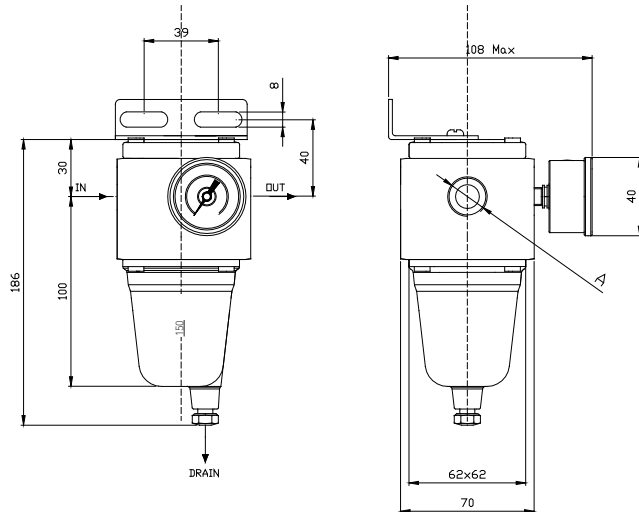
BT-F08AL/C20B

Overall dimension

Dimensioni di ingombro

Manual drain

Scarico manuale



F06 A = 3/8"

F08 A = 1/2"

Automatic drain

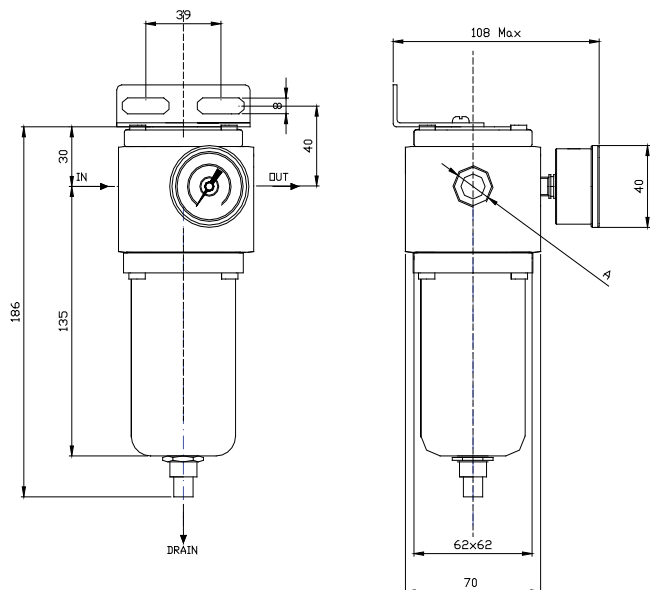
Scarico automatico

Note for automatic drain:

- max inlet pressure 16bar
- not recommended for $T < 2^{\circ}\text{C}$

Nota per scarico automatico:

- massima pressione di utilizzo 16bar
- non raccomandato per $T < 2^{\circ}\text{C}$



Accessories and repair kit

Accessori e ricambi

Maintenance kit / Kit manutenzione	Items K-F08-* -AL-**
Pressure gauge DN40mm, all AL Bar+psi+kpa range / Manometro DN40mm, cassa inox, scala Bar+psi+kpa	0-2bar MBSNP4S2PN3S 0-4bar MBSNP4S2PN05 0-10bar MBSNP4S2PN07
Bracket / Staffa	SQ-FR04/S

* Refers to filter element option: 1→5 micron; 2→25 micron; 3→40 micron ; 4→coalescing; 5→3 micron

** Refers to seals type: FK→FKM NB→NBR LT→EPDM FL→FVMQ HN→HNBR

www.sitecna.eu

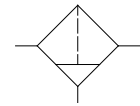
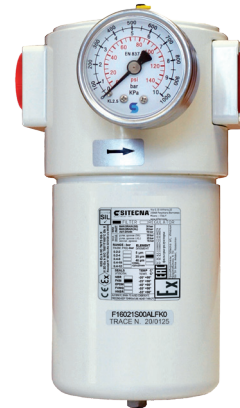
Copper free aluminum alloy 3/4"-1"NPT filter – F serie

Filtro da 3/4" - 1"NPT in lega di alluminio esente rame – serie F

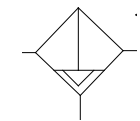
- Suitable for automation equipment to onshore, offshore, pharmaceutical, medical and food applications
- Full material traceability
- High flow capacity
- ATEX 2014/34/UE II 2G Ex h IIC T6/T5 Gb X
II 2D Ex h IIIC T85°C/T100°C Db X

• & approved / IP66

- Adatto per automazione in applicazioni marine, petrolchimiche, farmaceutiche, medicali e alimentari
- Completa rintracciabilità dei materiali
- Elevate portate
- ATEX 2014/34/UE II 2G Ex h IIC T6/T5 Gb X
II 2D Exh IIIC T85°C/T100°C Db X
- Approvato ed / IP66



Manual Drain



Automatic Drain

Media / Fluido	Compressed air, inert gases, sweet and sour gases
Port thread / Conessioni	3/4"-1" NPT
Gauge Connection Connessione manometro	1/4"NPT (1/8"NPT option)
Filtering element Elemento filtrante	Coalescing or 5, 25, 40 micron in st. st. 316
Max inlet pressure / Pressione massima di ingresso	25bar (16bar automatic drain version)
Drain valve/ Scarico condensa	Manual or automatic
Flow Rate (@6 bar Inlet pressure, delta P=0.35bar)/ Portata	3/4" - 7500dm3/min Cv=12,2 1" - 10000dm3/min Cv=16,3
Working temperature / Temperatura di esercizio	-20°C up to 80°C (NBR); -25°C up to 90°C (FKM); -40°C up to 80°C (EPDM); -55° up tp 90°C (FVMQ)*

Air supply must be dry enough to avoid ice formation at temperatures below +2°C (+35°F).

*Special version in HNBR (WT -55°C + 90°C)

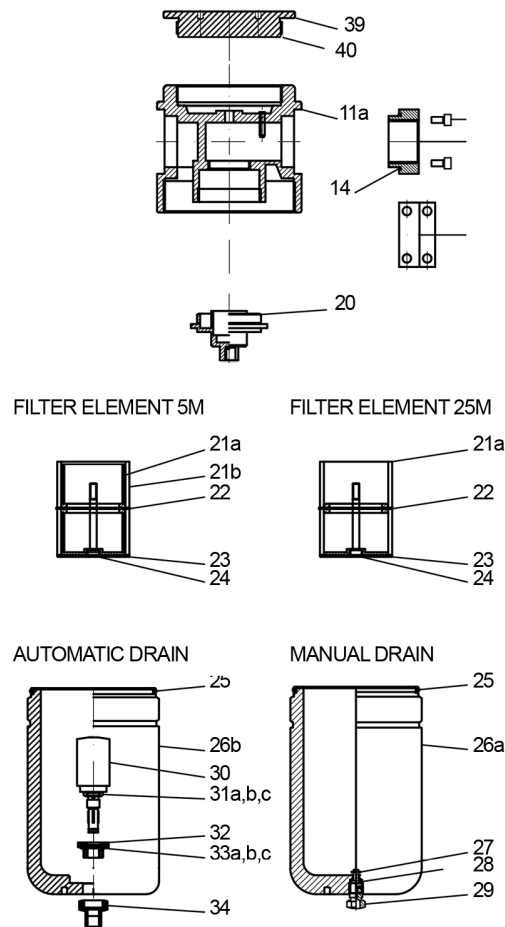
It provides excellent filtering for a wide range of applications. Rugged and corrosion-resistant – made of barstock aluminium alloy and AISI304/316 / Permette una filtrazione accurata per una vasta gamma di applicazioni. Robusto e resistente alla corrosione – Costruito in lega di alluminio tropicalizzata e AISI304/316

BUILDING MATERIALS	Materiali costruttivi
Body, bonnet, bowl in tropicalized aluminium	Corpo, coperchio, tazza in lega di alluminio tropicalizzata
Internals, bracket, lock and panel nuts, fixing screws in stainless steel	Particolari interni, staffa, dadi di bloccaggio a pannello, viti di fissaggio in acciaio inossidabile
Seals in elastomer	Tenute in elastomero
5, 25 & 40 micron filtering element in AISI316 stainless steel	Elemento filtrante da 5, 25 e 40 micron in acciaio inossidabile AISI316
Coalescing filtering element in bonded micro-fibre	Elemento filtrante a coalescenza in microfibra

BT-F16AL/C20A

Product exploded view

Esploso del prodotto



Pos.	Q.ty	Description	Descrizione
11a	1	BODY	CORPO
13	2	CONNECTION	FLANGE
14	2	O'RING	O'RING
15	2	BRACKET	STAFFA
20	1	FILTER ELEMENT SUPPORT	SUPPORTO ELE. FILTRANTE
21a	2	FILTER ELEMENT 5 MICRON	ELEMENTO FILTRANTE 5 MIC
21b	2	FILTER ELEMENT 25 MICRON	ELEMENTO FILTRANTE 25 MIC
22	1	FILTER ELEMENT RING	ANELLO ELEMENTO FILTRANTE
23	1	FILTER ELEMENT PLUG	BASE ELEMENTO FILTRANTE
24	1	FILTER ELEMENT SCREW	VITE ELEMENTO FILTRANTE
25	1	O'RING BOWL	O'RING TAZZA
26a	1	MANUAL DRAIN BOWL	TAZZA SCARICO MANUALE
26b	1	AUTOMATIC DRAIN BOWL	TAZZA SCARICO AUTOMATICO
27	1	BENZIN	ANELLO BENZIN
28	1	O'RING DRAIN	O'RING DRAIN
29	1	MANUAL DRAIN	SCARICO MANUALE
30	1	AUTOMATIC DRAIN	SCARICO AUTOMATICO
31	1	O'RING AUTO DRAIN	O'RING SCARICO AUTO
32	1	AUTOMATIC DRAIN SEAT	SEDE SCARICO AUTOMATICO
33	1	O'RING AUTO DRAIN	O'RING SCARICO AUTO
34	1	AUTOMATIC DRAIN SEAT	SEDE SCARICO AUTOMATICO
35	8	SCREW M5x16 DIN 912 A2	VITI M5X16
39	1	FILTER TOP	PIATTELLO SUPERIORE
40	1	O'RING	O'RING

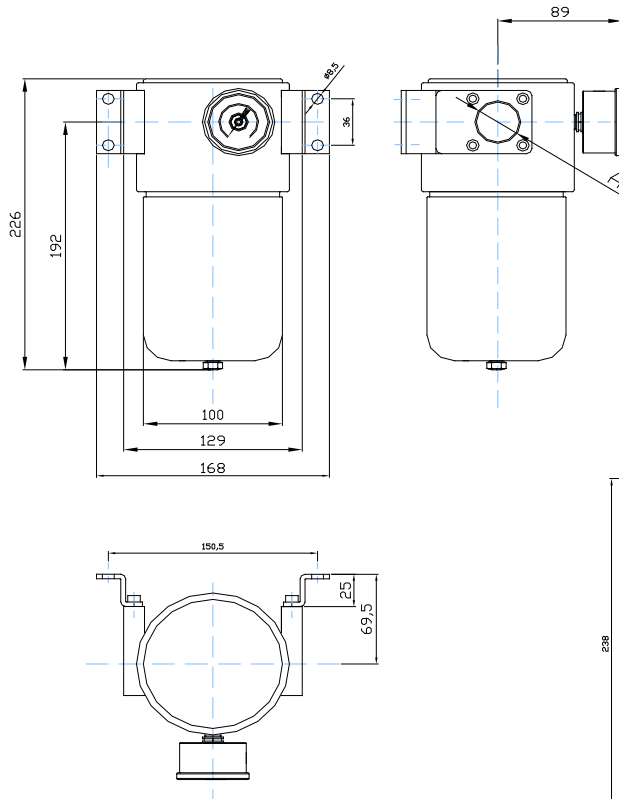
www.sitecna.eu

Overall dimension

Dimensioni di ingombro

Manual drain

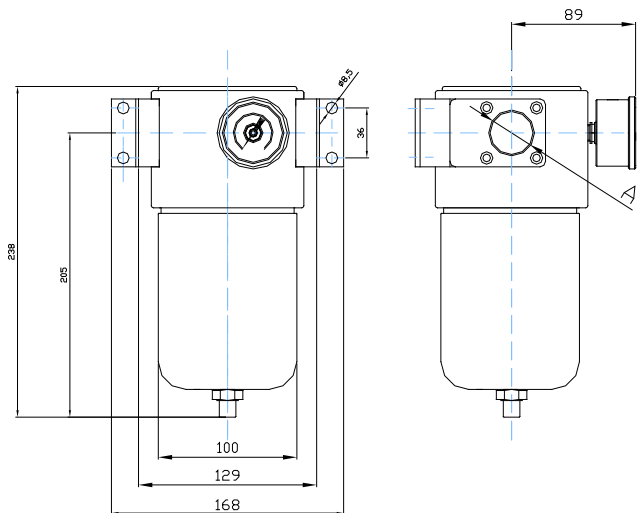
Scarico manuale



F12 A = 3/4"
F16 A = 1"

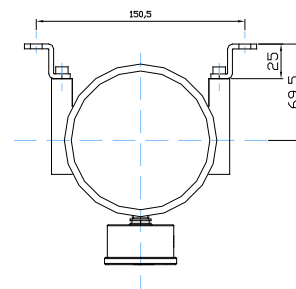
Automatic drain

Scarico automatico



Note for automatic drain:
- max inlet pressure 16bar
- not recommended for T<2°C

Nota per scarico automatico:
- massima pressione di utilizzo 16bar
- non raccomandato per T<2°C



Accessories and repair kit

Accessori e ricambi

Maintenance kit / Kit manutenzione	Items K-F16-* -AL-**
Pressure gauge DN40mm, SS case, Bar+psi+kpa range / Manometro DN40mm, cassa inox, scala Bar+psi+kpa	0-2bar MBSNP4S2PN3S 0-4bar MBSNP4S2PN05 0-10bar MBSNP4S2PN07
Bracket / Staffa	SQ-FR16




* Refers to filter element option: 1→5 micron 2→25 micron 3→40 micron 4→coalescing




** Refers to seals type: FK→FKM NB→NBR LT→EPDM FL→FVMQ HN→HNBR

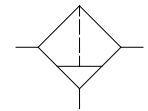
BT-F16AL/C20C

Copper free aluminum alloy 1 1/2"-2"NPT filter – F serie

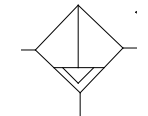
Filtro da 1 1/2"-2"NPT in lega di alluminio esente rame – serie F

- Suitable for automation equipment to onshore, offshore, pharmaceutical, medical and food applications
- Full material traceability
- High flow capacity
- ATEX 2014/34/UE  II 2G Ex h IIC T6/T5 Gb X
II 2D Ex h IIIC T85°C/T100°C Db X
-  &  approved / IP66

- Adatto per automazione in applicazioni marine, petrolchimiche, farmaceutiche, medicali e alimentari
- Completa rintracciabilità dei materiali
- Elevate portate
- ATEX 2014/34/UE  II 2G Ex h IIC T6/T5 Gb X
II 2D Ex h IIIC T85°C/T100°C Db X
- Approvato  ed  /IP66



Manual Drain



Automatic Drain

Media / Fluido	Compressed air, inert gases, sweet and sour gases
Port thread / Connessioni	1 1/2"-2" NPT
Gauge Connection Connessione manometro	1/4"NPT (1/8"NPT option)
Filtering element Elemento filtrante	coalescing or 5, 25, 40 micron in st. st. 316
Max inlet pressure / Pressione massima di ingresso	20 bar*
Drain valve/ Scarico condensa	Manual or automatic
Flow Rate (at 6 bar Inlet pressure, delta P=0.35bar)/ Portata	1 1/2" - 21000dm ³ /min Cv=34,5 2" - 29000dm ³ /min Cv=46,5
Working temperature / Temperatura di esercizio	-20°C up to 80°C (NBR); -25°C up to 90°C (FKM); -40°C up to 80°C (EPDM); -55° up to 90°C (FVMQ)**

Air supply must be dry enough to avoid ice formation at temperatures below +2°C (+35°F).

*NB: for auto drain: 16bar / for gas use: 15bar (in accordance with 2014/68/EU)

**Special version in HNBR (WT -55°C + 90°C)

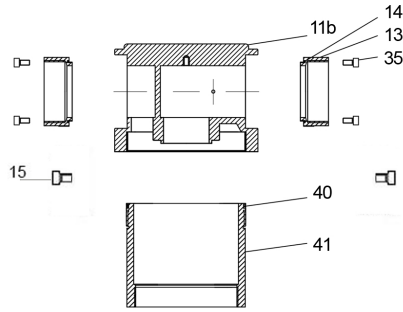
It provides excellent filtering for a wide range of applications. Rugged and corrosion-resistant – made of barstock aluminium alloy and AISI304/316 / Permette una filtrazione accurata per una vasta gamma di applicazioni. Robusto e resistente alla corrosione – Costruito in lega di alluminio tropicalizzata e AISI304/316

BUILDING MATERIALS	Materiali costruttivi
Body, bonnet, bowl in tropicalized aluminum	Corpo, coperchio, tazza in lega di alluminio tropicalizzata
Internals, bracket, lock and panel nuts, fixing screws in stainless steel	Particolari interni, staffa, dadi di bloccaggio a pannello, viti di fissaggio in acciaio inossidabile
Seals in elastomer	Tenute in elastomero
5, 25 & 40 micron filtering element in AISI316 stainless steel	Elemento filtrante da 5, 25 e 40 micron in acciaio inossidabile AISI316
Coalescing filtering element in bonded micro-fibre	Elemento filtrante a coalescenza in microfibra

Product exploded view

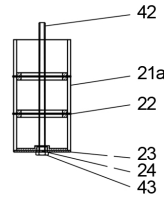
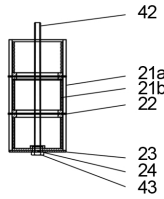
Esploso del prodotto

www.sitecna.eu



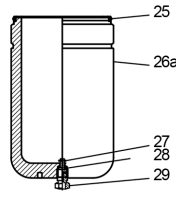
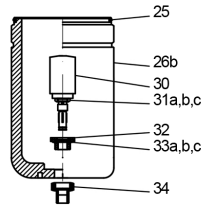
FILTER ELEMENT 5M

FILTER ELEMENT 25M



AUTOMATIC DRAIN

MANUAL DRAIN



Pos.	Q.ty	Description	Descrizione
11b	1	BODY	CORPO
13	2	CONNECTION	TERMINALI FILETTATI
14	2	CONNECTION O'RING	O'RING TERMINALI
15	2	BRACKET SCREW	STAFFA
20	1	FILTER ELEMENT SUPPORT	SUPPORTO ELE. FILTRANTE
21a	3	FILTER ELEMENT 5 MICRON	ELEMENTO FILTRANTE 5 MIC
21b	3	FILTER ELEMENT 25 MICRON	ELEMENTO FILTRANTE 25 MIC
22	1	FILTER ELEMENT RING	ANELLO ELEMENTO FILTRANTE
23	1	FILTER ELEMENT PLUG	BASE ELEMENTO FILTRANTE
24	1	NUT M6	DADO M6
25	1	O'RING BOWL	O'RING TAZZA
26a	1	MANUAL DRAIN BOWL	TAZZA SCARICO MANUALE
26b	1	AUTOMATIC DRAIN BOWL	TAZZA SCARICO AUTOMATICO
27	1	BENZIN	ANELLO BENZIN
28	1	O'RING DRAIN	O'RING DRAIN
29	1	MANUAL DRAIN	SCARICO MANUALE
30	1	AUTOMATIC DRAIN	SCARICO AUTOMATICO
31	1	O'RING AUTO DRAIN	O'RING SCARICO AUTO
32	1	AUTOMATIC DRAIN SEAT	SEDE SCARICO AUTOMATICO
33	1	O'RING AUTO DRAIN	O'RING SCARICO AUTO
34	1	AUTOMATIC DRAIN SEAT	SEDE SCARICO AUTOMATICO
35	8	SCREW M6X25 DIN 912 A2	VITI M6X25
40	1	O'RING	O'RING
41	1	BOWL ADAPTER	ADATTATORE
42	1	FILTER ELEMENT SCREW	VITE ELEMENTO FILTRANTE
43	1	M6 NUT	DADO M6

BT-F32AL/C20B

Overall dimension

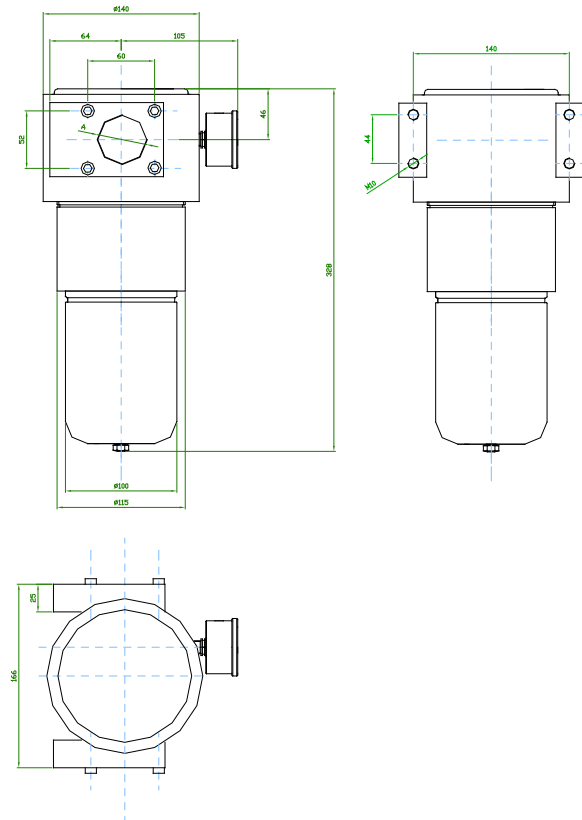
Dimensioni di ingombro

Manual drain

Scarico manuale

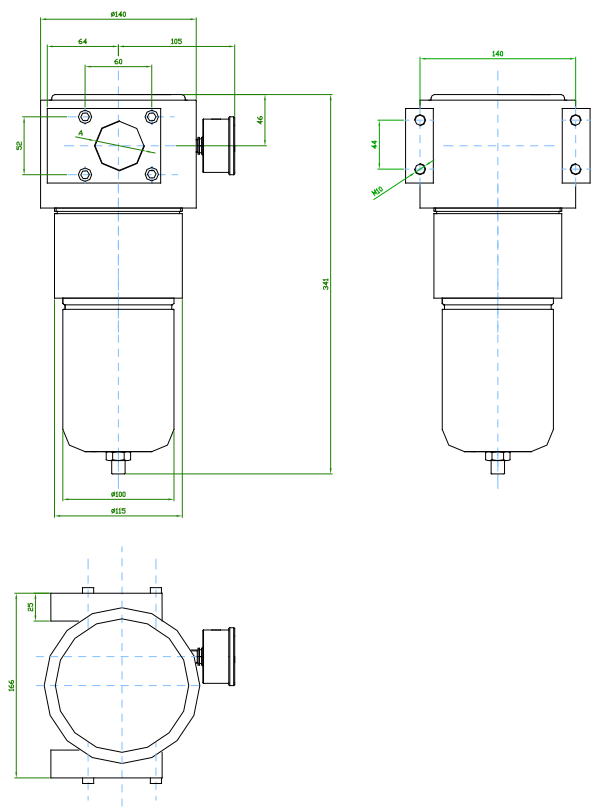
F24 A = 1 1/2"

F32 A = 2"



Automatic drain

Scarico automatico



Note for automatic drain:
 - max inlet pressure 16bar
 - not recommended for $T < 2^{\circ}\text{C}$

Nota per scarico automatico:
 - massima pressione di utilizzo 16bar
 - non raccomandato per $T < 2^{\circ}\text{C}$

Accessories and repair kit

Accessori e ricambi

Maintenance kit / Kit manutenzione	Items K-F32-*.-AL-**
Pressure gauge DN40mm, SS case, Bar+psi+kpa range / Manometro DN40mm, cassa inox, scala Bar+psi+kpa	0-2bar MBSNP4S2PN3S 0-4bar MBSNP4S2PN05 0-10bar MBSNP4S2PN07

* Refers to filter element option: 1→5 micron 2→25 micron 3→40 micron 4→ coalescing

** Refers to seals type: FK→FKM NB→NBR LT→EPDM FL→FVMQ HN→HNBR

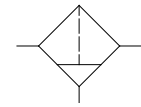
www.sitecna.eu

AISI316L 1/4"NPT filter – F serie

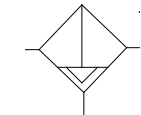
Filtro da 1/4"NPT in AISI316L – serie F

- Suitable to automation equipment, to onshore, offshore, pharmaceutical, medical and food applications
- Full material traceability
- High flow capacity
- ATEX 2014/34/UE II 2G Ex h IIC T6/T5 Gb X
II 2D Ex h IIIC T85°C/T100°C Db X
- & approved /IP66

- Adatto per automazione in applicazioni marine, petrolchimiche, farmaceutiche, medicali e alimentari.
- Completa rintracciabilità dei materiali
- Elevate portate
- ATEX 2014/34/UE II 2G Ex h IIC T6/T5 Gb X
II 2D Ex h IIIC T85°C/T100°C Db X
- Approvato ed / IP66



Manual Drain



Automatic Drain

Media / Fluido	Compressed air, inert gases, sweet and sour gases
Port thread / Connessioni	1/4"
Gauge Connection Connessione manometro	1/8"NPT (1/4"NPT option)
Filtering element Elemento filtrante	Coalescing or 3, 5, 25, 40 micron in st. st. 316
Max inlet pressure Pressione massima di ingresso	30bar (16bar automatic drain version)
Drain valve / Scarico condensa	manual or automatic
Flow Rate (at 6 bar Inlet pressure, delta P=0.5bar) / Portata	1/4" - 1000dm ³ /min Cv=1,4 1/2" - 4815dm ³ /min Cv=6,6
Working Temperature Temperatura di esercizio	-20°C up to 80°C (NBR); -25°C up to 90°C (FKM); -40°C up to 80°C (EPDM); -55° up tp 90°C (FVMQ)*

Air supply must be dry enough to avoid ice formation at temperatures below +2°C (+35°F).

*Special version in HNBR (WT -55°C + 90°C)

It provides excellent filtration for a wide range of applications. Rugged and corrosion resistant - made of 316/316L stainless steel.

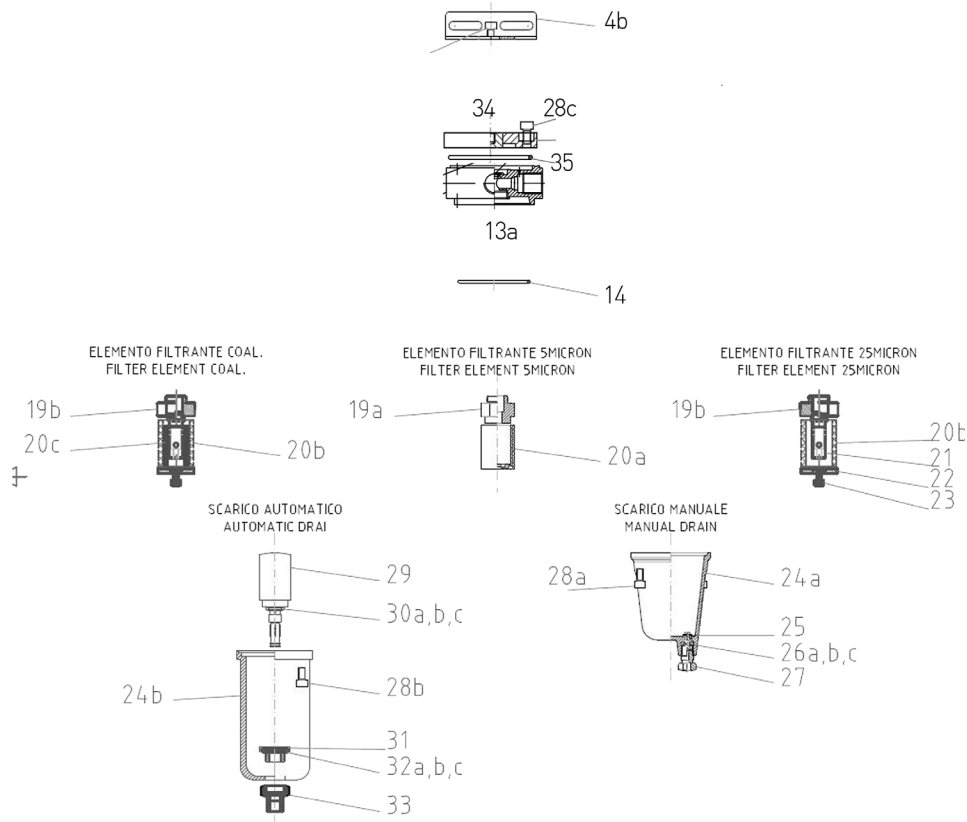
Permette una filtrazione accurata per una vasta gamma di applicazioni. Robusto e resistente alla corrosione - costruito in AISI316/316L.

BUILDING MATERIALS	Materiali costruttivi
Body, bonnet, bowl in Stainless steel AISI316/316L	Corpo, coperchio, tazza in acciaio inossidabile AISI316/316L
Inyternals, bracket, lock and panel nuts, fixing screws in stainless steel	Parti interne, staffa, dadi di bloccaggio e pannello, viti di fissaggio in acciaio inossidabile
Seals in elastomer	Tenute in elastomero
3, 5, 25, 40 micron filtering element in AISI316 stainless steel	Elemento filtrante da 3, 5, 25 e 40 micron in acciaio inossidabile AISI316
Coalescing filtering element in bonded micro-fibre	Elemento filtrante a coalescenza in microfibra

BT-F04SS/C20A

Product exploded view

Esploso del prodotto



Pos.	Q.ty	Description	Descrizione
3	1	BRACKET NUT	DADO STAFFA
4b	1	BRACKET	STAFFA
13b	1	BODY	CORPO
13b	1	COALESCING BODY	CORPO A COALESCIENZA
14	2	O-RING	O-RING
19a	1	FILTER ELEMENT SUPPORT 5mic	SUPPORTO ELE. FILTRANTE 5 MIC
19b	1	FILTER ELEMENT SUPPORT 25mic	SUPPORTO ELE. FILTRANTE 25 MIC
20a	1	FILTER ELEMENT 5 MICRON	ELEMENTO FILTRANTE 5 MIC
20b	1	FILTER ELEMENT 25 MICRON	ELEMENTO FILTRANTE 25 MIC
20c	1	FILTER ELEMENT COALESCING	ELEMENTO FILTRANTE COALESC.
21	1	FILTER ELEMENT SUPPORT	SUPPORTO ELE. FILTRANTE
22	1	FILTER ELEMENT CASEBACK	BASE ELEMENTO FILTRANTE
23	1	SCREW M4X6	VITI M4X6
24a	1	MANUAL DRAIN BOLW	TAZZA SCARICO MANUALE
24b	1	AUTOMATIC DRAIN BOLW	TAZZA SCARICO AUTOMATICO
25	1	BENZIN	ANELLO BENZIN
26	1	O-RING	O-RING
27	1	MANUAL DRAIN	SCARICO MANUALE
28a	4	SCREW MAN. DRAIN M5X10	VITI SCARICO MANUALE M5X10
28b	4	SCREW AUTO DRAIN M5X16	VITI SCARICO AUTO M5X16
29	1	AUTOMATIC DRAIN	SCARICO AUTOMATICO
30	1	O'RING AUTO DRAIN	O'RING SCARICO AUTO
31	1	AUTOMATIC DRAIN SEAT	SEDE SCARICO AUTOMATICO
32	1	O'RING AUTOM. DRAIN	O'RING SCARICO AUTO
33	1	AUTOMATIC DRAIN SEAT	SEDE SCARICO AUTOMATICO

www.sitecna.eu

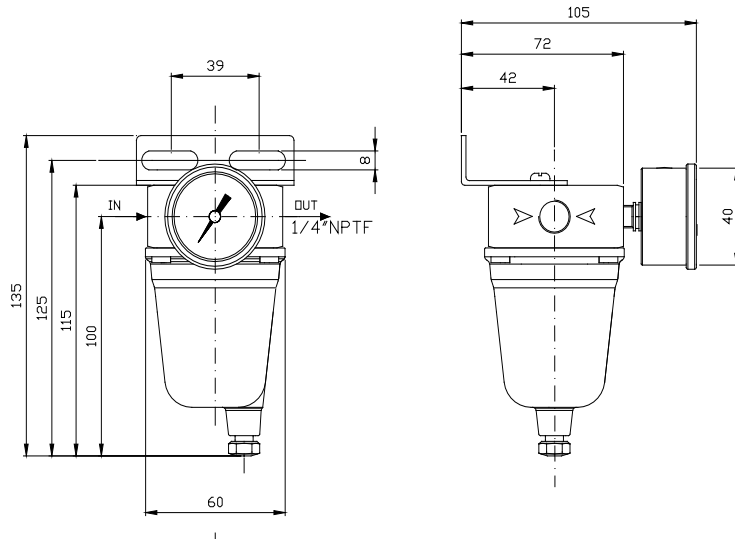
Overall dimension

Dimensioni di ingombro

Manual drain

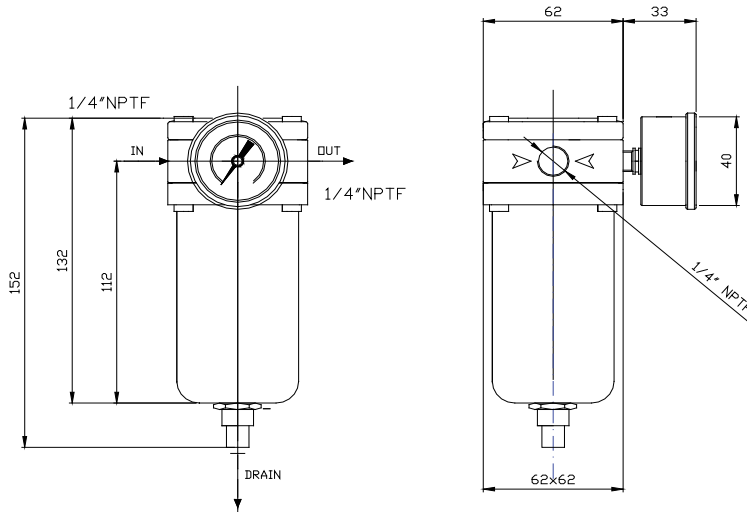
Scarico manuale

F04 A = 1/4"



Automatic drain

Scarico automatico



Note for automatic drain:
- max inlet pressure 16bar
- not recommended for T<2°C

Nota per scarico automatico:
- massima pressione di utilizzo 16bar
- non raccomandato per T<2°C

Accessories and repair kit

Accessori e ricambi

Maintenance kit / Kit manutenzione	Items K-F04-* -SS-** [1/4"]
Pressure gauge DN40mm, all SS Bar+psi+kpa range / Manometro DN40mm, tutto inox, scala Bar+psi+kpa	0-2,5 bar MBS6P4S2PN04 0-4bar MBS6P4S2PN05 0-10bar MBS6P4S2PN07
Bracket / Staffa	SQ-FR04/S




* Refers to filter element option: 1→5 micron; 2→25 micron; 3→40 micron ; 4→coalescing; 5→3 micron




** Refers to seals type: FK→FKM NB→NBR LT→EPDM FL→FVMQ HN→HNBR

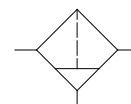
BT-F04SS/C20C

AISI316L 3/8" - 1/2" NPT filter – F serie

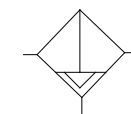
Filtro da 3/8" - 1/2" NPT in AISI316L – serie F

- Suitable to automation equipment, to onshore, offshore, pharmaceutical, medical and food applications
- Full material traceability
- High flow capacity
- ATEX 2014/34/UE  II 2G Ex h IIC T6/T5 Gb X
II 2D Ex h IIIC T85°C/T100°C Db X
-  &  approved /IP66

- Adatto per automazione in applicazioni marine, petrolchimiche, farmaceutiche, medicali e alimentari.
- Completa rintracciabilità dei materiali
- Elevate portate
- ATEX 2014/34/UE  II 2G Ex h IIC T6/T5 Gb X
II 2D Ex h IIIC T85°C/T100°C Db X
- Approvato  ed  / IP66



Manual Drain



Automatic Drain

Media / Fluido	Compressed air, inert gases, sweet and sour gases
Port thread / Connessioni	3/8"-1/2" NPT
Gauge Connection Connessione manometro	1/8"NPT (1/4"NPT option)
Filtering element Elemento filtrante	Coalescing or 3, 5, 25, 40 micron in st. st. 316
Max inlet pressure Pressione massima di ingresso	30bar (16bar automatic drain version)
Drain valve / Scarico condensa	manual or automatic
Flow Rate (@6 bar Inlet pressure, delta P=0.5bar)/ Portata	1/2" - 4815 dm3/min Cv=6,6
Working Temperature Temperatura di esercizio	-20°C up to 80°C (NBR); -25°C up to 90°C (FKM); -40°C up to 80°C (EPDM); -55° up tp 90°C (FVMQ)*

Air supply must be dry enough to avoid ice formation at temperatures below +2°C (+35°F).

*Special version in HNBR (WT -55°C + 90°C)

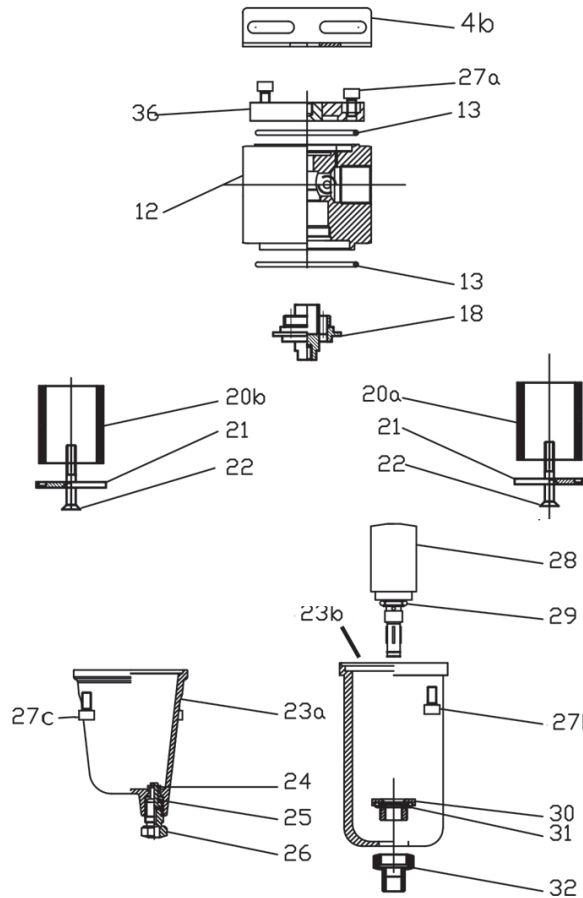
It provides excellent filtration for a wide range of applications. Rugged and corrosion resistant - made of 316/316L stainless steel.

Permette una filtrazione accurata per una vasta gamma di applicazioni. Robusto e resistente alla corrosione - costruito in AISI316/316L.

BUILDING MATERIALS	Materiali costruttivi
Body, bonnet, bowl in Stainless steel AISI316/316L	Corpo, coperchio, tazza in acciaio inossidabile AISI316/316L
Inyternals, bracket, lock and panel nuts, fixing screws in stainless steel	Parti interne, staffa, dadi di bloccaggio e pannello, viti di fissaggio in acciaio inossidabile
Seals in elastomer	Tenute in elastomero
3, 5, 25, 40 micron filtering element in AISI316 stainless steel	Elemento filtrante da 3, 5, 25 e 40 micron in acciaio inossidabile AISI316
Coalescing filtering element in bonded micro-fibre	Elemento filtrante a coalescenza in microfibra

Product exploded view

Esploso del prodotto



Pos.	Q.ty	Description	Descrizione
4b	1	BRACKET F04	STAFFA
12	1	BODY	CORPO
13	2	O-RING	O-RING
18	1	FILTER ELEMENT SUPPORT	SUPPORTO ELE. FILTRANTE
20a	1	FILTER ELEMENT 5 MICRON	ELEMENTO FILTRANTE 5 MIC
20b	1	FILTER ELEMENT 25 MICRON	ELEMENTO FILTRANTE 25 MIC
21	1	FILTER ELEMENT PLUG	BASE ELEMENTO FILTRANTE
22	1	SCREW M5X30	VITE M5X30
23a	1	MANUAL DRAIN BOLW	TAZZA SCARICO MANUALE
23b	1	AUTOMATIC DRAIN BOLW	TAZZA SCARICO AUTOMATICO
24	1	BENZIN	ANELLO BENZIN
25	1	O'RING DRAIN	O'RING DRAIN
26	1	MANUAL DRAIN	SCARICO MANUALE
27a	4	SCREW M5X10	VITI PIATTELLO SPERIORE M5X10
27b	4	SCREW AUTO DRAIN M5X16	VITI SCARICO AUTO M5X16
27c	4	SCREW MAN DRAIN M5X10	VITI SCARICO MANUALE M5X10
28	1	AUTOMATIC DRAIN	SCARICO AUTOMATICO
29	1	O'RING AUTO DRAIN	O'RING SCARICO AUTO
30	1	AUTOMATIC DRAIN SEAT	SEDE SCARICO AUTOMATICO
31	1	O'RING AUTO DRAIN	O'RING SCARICO AUTO
32	1	AUTOMATIC DRAIN SEAT	SEDE SCARICO AUTOMATICO
36	1	FILTER TOP	PIATTELLO SUPERIORE

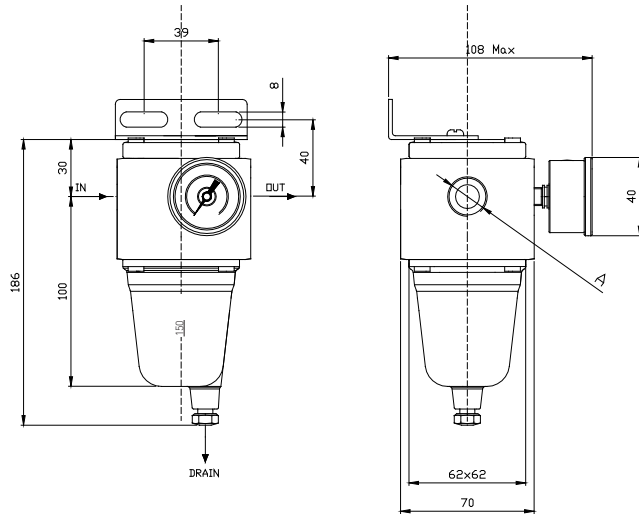
BT-F08SS/C20B

Overall dimension

Dimensioni di ingombro

Manual drain

Scarico manuale



F06 A = 3/8"

F08 A = 1/2"

Automatic drain

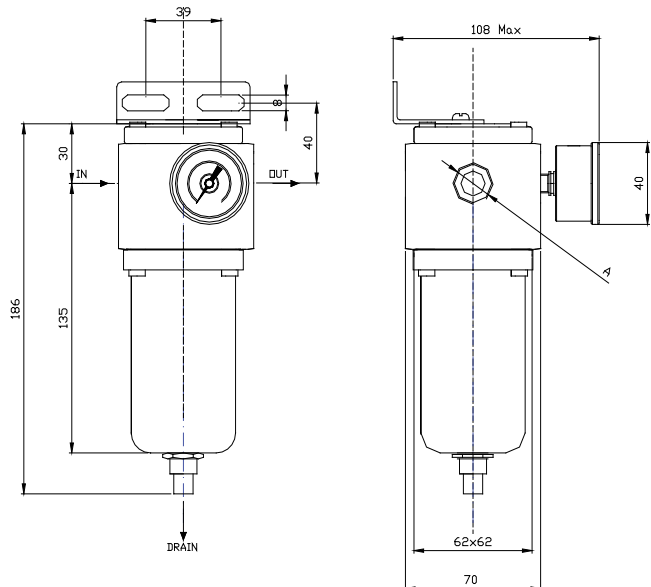
Scarico automatico

Note for automatic drain:

- max inlet pressure 16bar
- not recommended for $T < 2^{\circ}\text{C}$

Nota per scarico automatico:

- massima pressione di utilizzo 16bar
- non raccomandato per $T < 2^{\circ}\text{C}$



Accessories and repair kit

Accessori e ricambi

Maintenance kit / Kit manutenzione	Items K-F08-* -SS-**
Pressure gauge DN40mm, all SS Bar+psi+kpa range / Manometro DN40mm, tutto inox, scala Bar+psi+kpa	0-2,5 bar MBS6P4S2PN04 0-4bar MBS6P4S2PN05 0-10bar MBS6P4S2PN07
Bracket / Staffa	SQ-FR04/S

* Refers to filter element option: 1→5 micron; 2→25 micron; 3→40 micron ; 4→coalescing; 5→3 micron

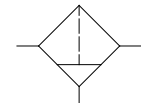
** Refers to seals type: FK→FKM NB→NBR LT→EPDM FL→FVMQ HN→HNBR

www.sitecna.eu

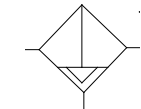
AISI316L 3/4"-1"NPT filter – F serie

Filtro da 3/4" - 1"NPT in AISI316L – serie F

- Suitable to automation equipment, to onshore, offshore, pharmaceutical, medical and food applications
- Full material traceability
- High flow capacity
- ATEX 2014/34/UE II 2G Ex h IIC T6/T5 Gb X
II 2D Ex h IIIC T85°C/T100°C Db X
- & approved /IP66
- Adatto per automazione in applicazioni marine, petrolchimiche, farmaceutiche, medicali e alimentari.
- Completa rintracciabilità dei materiali
- Elevate portate
- ATEX 2014/34/UE II 2G Ex h IIC T6/T5 Gb
II 2D Ex h IIIC T85°C/T100°C Db X
- Approvato ed / IP66



Manual Drain



Automatic Drain

Media / Fluido	Compressed air, inert gases, sweet and sour gases
Port thread / Conessioni	3/4"-1" NPT
Gauge Connection Connessione manometro	1/4"NPT (1/8"NPT option)
Filtering element Elemento filtrante	coalescing or 5, 25, 40 micron in st. st. 316
Max inlet pressure / Pressione massima di ingresso	30bar (16bar automatic drain version)
Drain valve/ Scarico condensa	Manual or automatic
Flow Rate (at 6 bar Inlet pressure, delta P=0.35bar)/ Portata	3/4" - 7500dm³/min Cv=12,2 1" - 10000dm³/min Cv=16,3
Working temperature / Temperatura di esercizio	-20°C up to 80°C (NBR); -25°C up to 90°C (FKM); -40°C up to 80°C (EPDM); -55° up tp 90°C (FVMQ)*

Air supply must be dry enough to avoid ice formation at temperatures below +2°C (+35°F).

*Special version in HNBR (WT -55°C + 89°C)

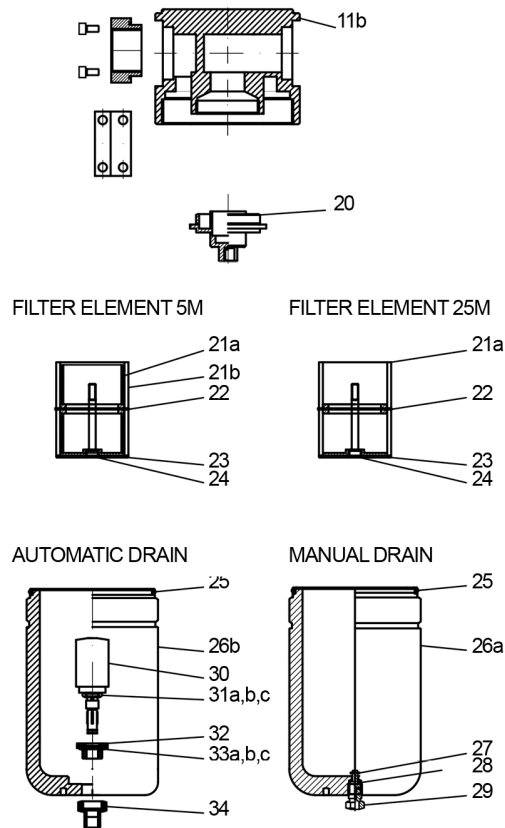
It provides excellent filtering for a wide range of applications. Rugged and corrosion-resistant – made of 316L stainless steel / Permette una filtrazione accurata per una vasta gamma di applicazioni. Robusto e resistente alla corrosione – Costruito in acciaio inossidabile 316L

BUILDING MATERIALS	Materiali costruttivi
Body, bonnet, bowl in Stainless steel AISI316/316L	Corpo, coperchio, tazza in acciaio inossidabile AISI316/316L
Inyternals, bracket, lock and panel nuts, fixing screws in stainless steel	Parti interne, staffa, dadi di bloccaggio e pannello, viti di fissaggio in acciaio inossidabile
Seals in elastomer	Tenute in elastomero
5, 25, 40 micron filtering element in AISI316 stainless steel	Elemento filtrante da 5, 25 e 40 micron in acciaio inossidabile AISI316
Coalescing filtering element in bonded micro-fibre	Elemento filtrante a coalescenza in microfibra

BT-F16SS/C20A

Product exploded view

Esploso del prodotto



Pos.	Q.ty	Description	Descrizione
11b	1	BODY	CORPO
13	2	CONNECTION	FLANGE
14	2	O'RING	O'RING
15	2	BRACKET	STAFFA
20	1	FILTER ELEMENT SUPPORT	SUPPORTO ELE. FILTRANTE
21a	2	FILTER ELEMENT 5 MICRON	ELEMENTO FILTRANTE 5 MIC
21b	2	FILTER ELEMENT 25 MICRON	ELEMENTO FILTRANTE 25 MIC
22	1	FILTER ELEMENT RING	ANELLO ELEMENTO FILTRANTE
23	1	FILTER ELEMENT PLUG	BASE ELEMENTO FILTRANTE
24	1	FILTER ELEMENT SCREW	VITE ELEMENTO FILTRANTE
25	1	O'RING BOWL	O'RING TAZZA
26a	1	MANUAL DRAIN BOWL	TAZZA SCARICO MANUALE
26b	1	AUTOMATIC DRAIN BOWL	TAZZA SCARICO AUTOMATICO
27	1	BENZIN	ANELLO BENZIN
28	1	O'RING DRAIN	O'RING DRAIN
29	1	MANUAL DRAIN	SCARICO MANUALE
30	1	AUTOMATIC DRAIN	SCARICO AUTOMATICO
31	1	O'RING AUTO DRAIN	O'RING SCARICO AUTO
32	1	AUTOMATIC DRAIN SEAT	SEDE SCARICO AUTOMATICO
33	1	O'RING AUTO DRAIN	O'RING SCARICO AUTO
34	1	AUTOMATIC DRAIN SEAT	SEDE SCARICO AUTOMATICO

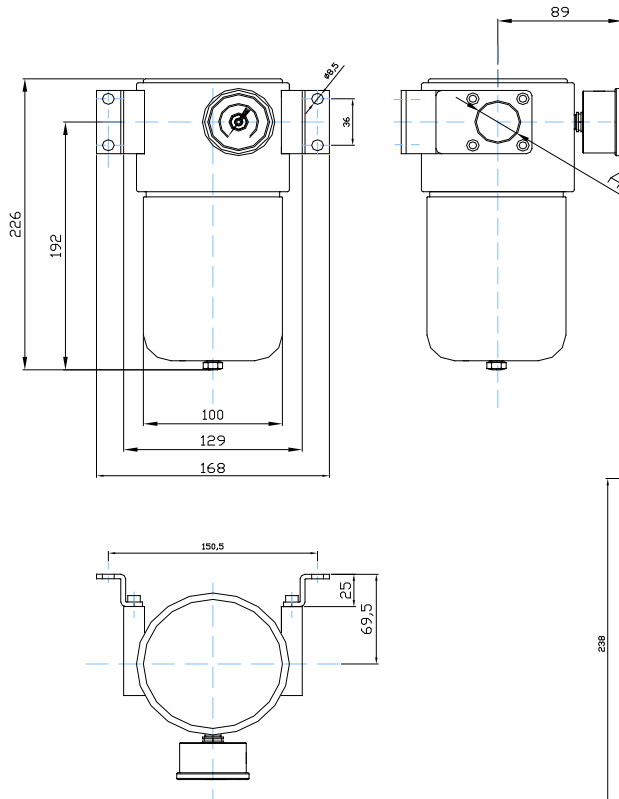
www.sitecna.eu

Overall dimension

Dimensioni di ingombro

Manual drain

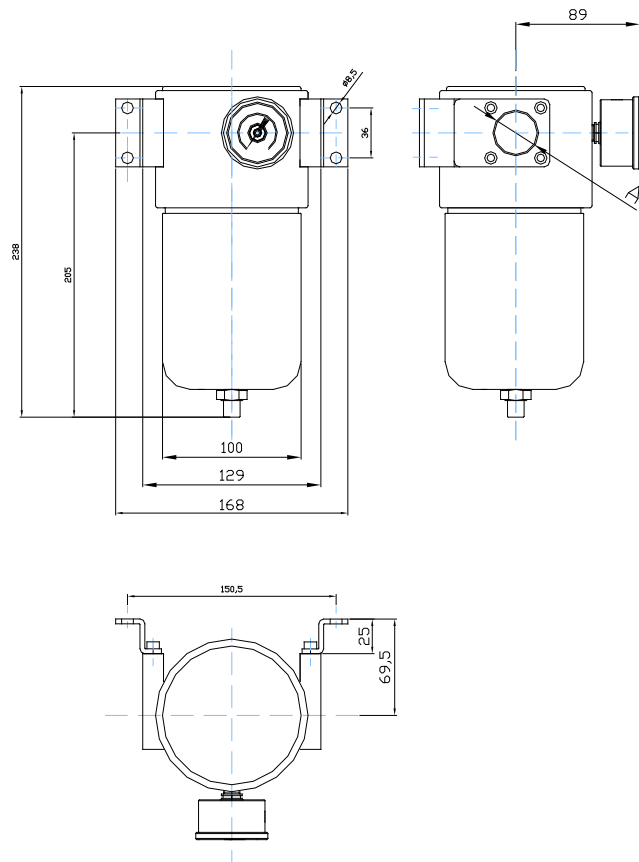
Scarico manuale



F12 A = 3/4"
F16 A = 1"

Automatic drain

Scarico automatico



Note for automatic drain:
- max inlet pressure 16bar
- not recommended for T < 2°C

Nota per scarico automatico:
- massima pressione di utilizzo 16bar
- non raccomandato per T < 2°C

Accessories and repair kit

Accessori e ricambi

Maintenance kit / Kit manutenzione	Items K-F16-*-SS**
Pressure gauge DN40mm, SS case, Bar+psi+kpa range / Manometro DN40mm, tutto inox, scala Bar+psi+kpa	0-2,5 bar MBS6P4S2PN04 0-4bar MBS6P4S2PN05 0-10bar MBS6P4S2PN07
Bracket / Staffa	R-16-STSS


* Refers to filter element option: 1→5 micron; 2→25 micron ; 3→40 micron ; 4→coalescing

** Refers to seals type: FK→FKM NB→NBR LT→EPDM FL→FVMQ HN→HNBR




BT-F16SS/C20C

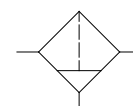
AISI316L 1 1/2"-2"NPT filter – F serie

Filtro da 1 1/2" - 2"NPT in AISI316L – serie F

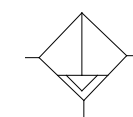
- Suitable to automation equipment, to onshore, offshore, pharmaceutical, medical and food applications
- Full material traceability
- High flow capacity
- ATEX 2014/34/UE  II 2G Ex h IIC T6/T5 Gb X
II 2D Ex h IIIC T85°C/T100°C Db X

•  &  approved /IP66

- Adatto per automazione in applicazioni marine, petrolchimiche, farmaceutiche, medicali e alimentari.
- Completa rintracciabilità dei materiali
- Elevate portate
- ATEX 2014/34/UE  II 2G Ex h IIC T6/T5 Gb X
II 2D Ex h IIIC T85°C/T100°C Db X
- Approvato  ed  / IP66



Manual Drain



Automatic Drain

Media / Fluido	Compressed air, inert gases, sweet and sour gases
Port thread / Connessioni	1 1/2"-2" NPT
Gauge Connection Connessione manometro	1/4"NPT (1/8"NPT option)
Filtering element Elemento filtrante	coalescing or 5, 25, 40 micron in st. st. 316
Max inlet pressure / Pressione massima di ingresso	20bar*
Drain valve/ Scarico condensa	Manual or automatic
Flow Rate (@6 bar Inlet pressure, delta P=0.35bar)/ Portata	1 1/2" - 21000dm ³ /min Cv=34,5 2" - 29000dm ³ /min Cv=46,5
Working temperature / Temperatura di esercizio	-20°C up to 80°C (NBR); -25°C up to 90°C (FKM); -40°C up to 80°C (EPDM); -55° up tp 90°C (FVMQ)**

Air supply must be dry enough to avoid ice formation at temperatures below +2°C (+35°F).

*NB: for auto drain: 16bar / for gas usage: 15bar (in accordance with 2014/68/EU)

**Special version in HNBR (WT -55°C + 90°C)

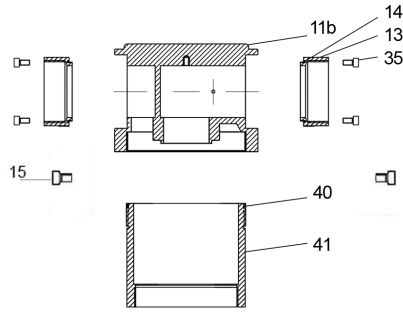
It provides excellent filtering for a wide range of applications. Rugged and corrosion-resistant – made of 316L stainless steel / Permette una filtrazione accurata per una vasta gamma di applicazioni. Robusto e resistente alla corrosione – Costruito in acciaio inossidabile 316L

BUILDING MATERIALS	Materiali costruttivi
Body, bonnet, bowl in Stainless steel AISI316/316L	Corpo, coperchio, tazza in acciaio inossidabile AISI316/316L
Inyternals, bracket, lock and panel nuts, fixing screws in stainless steel	Parti interne, staffa, dadi di bloccaggio e pannello, viti di fissaggio in acciaio inossidabile
Seals in elastomer	Tenute in elastomero
5, 25, 40 micron filtering element in AISI316 stainless steel	Elemento filtrante da 5, 25 e 40 micron in acciaio inossidabile AISI316
Coalescing filtering element in bonded micro-fibre	Elemento filtrante a coalescenza in microfibra

Product exploded view

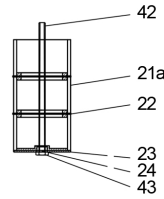
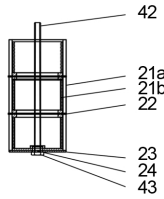
Esploso del prodotto

www.sitecna.eu



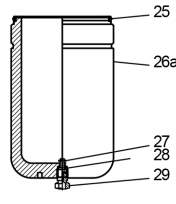
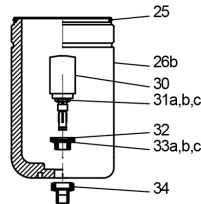
FILTER ELEMENT 5M

FILTER ELEMENT 25M



AUTOMATIC DRAIN

MANUAL DRAIN



Pos.	Q.ty	Description	Descrizione
11b	1	BODY	CORPO
13	2	CONNECTION	TERMINALI FILETTATI
14	2	CONNECTION O'RING	O'RING TERMINALI
15	2	BRACKET SCREW	STAFFA
20	1	FILTER ELEMENT SUPPORT	SUPPORTO ELE. FILTRANTE
21a	3	FILTER ELEMENT 5 MICRON	ELEMENTO FILTRANTE 5 MIC
21b	3	FILTER ELEMENT 25 MICRON	ELEMENTO FILTRANTE 25 MIC
22	1	FILTER ELEMENT RING	ANELLO ELEMENTO FILTRANTE
23	1	FILTER ELEMENT PLUG	BASE ELEMENTO FILTRANTE
24	1	NUT M6	DADO M6
25	1	O'RING BOWL	O'RING TAZZA
26a	1	MANUAL DRAIN BOWL	TAZZA SCARICO MANUALE
26b	1	AUTOMATIC DRAIN BOWL	TAZZA SCARICO AUTOMATICO
27	1	BENZIN	ANELLO BENZIN
28	1	O'RING DRAIN	O'RING DRAIN
29	1	MANUAL DRAIN	SCARICO MANUALE
30	1	AUTOMATIC DRAIN	SCARICO AUTOMATICO
31	1	O'RING AUTO DRAIN	O'RING SCARICO AUTO
32	1	AUTOMATIC DRAIN SEAT	SEDE SCARICO AUTOMATICO
33	1	O'RING AUTO DRAIN	O'RING SCARICO AUTO
34	1	AUTOMATIC DRAIN SEAT	SEDE SCARICO AUTOMATICO
35	8	SCREW M6X25 DIN 912 A2	VITI M6X25
40	1	O'RING	O'RING
41	1	BOWL ADAPTER	ADATTATORE
42	1	FILTER ELEMENT SCREW	VITE ELEMENTO FILTRANTE
43	1	M6 NUT	DADO M6

BT-F32SS/C20B

Overall dimension

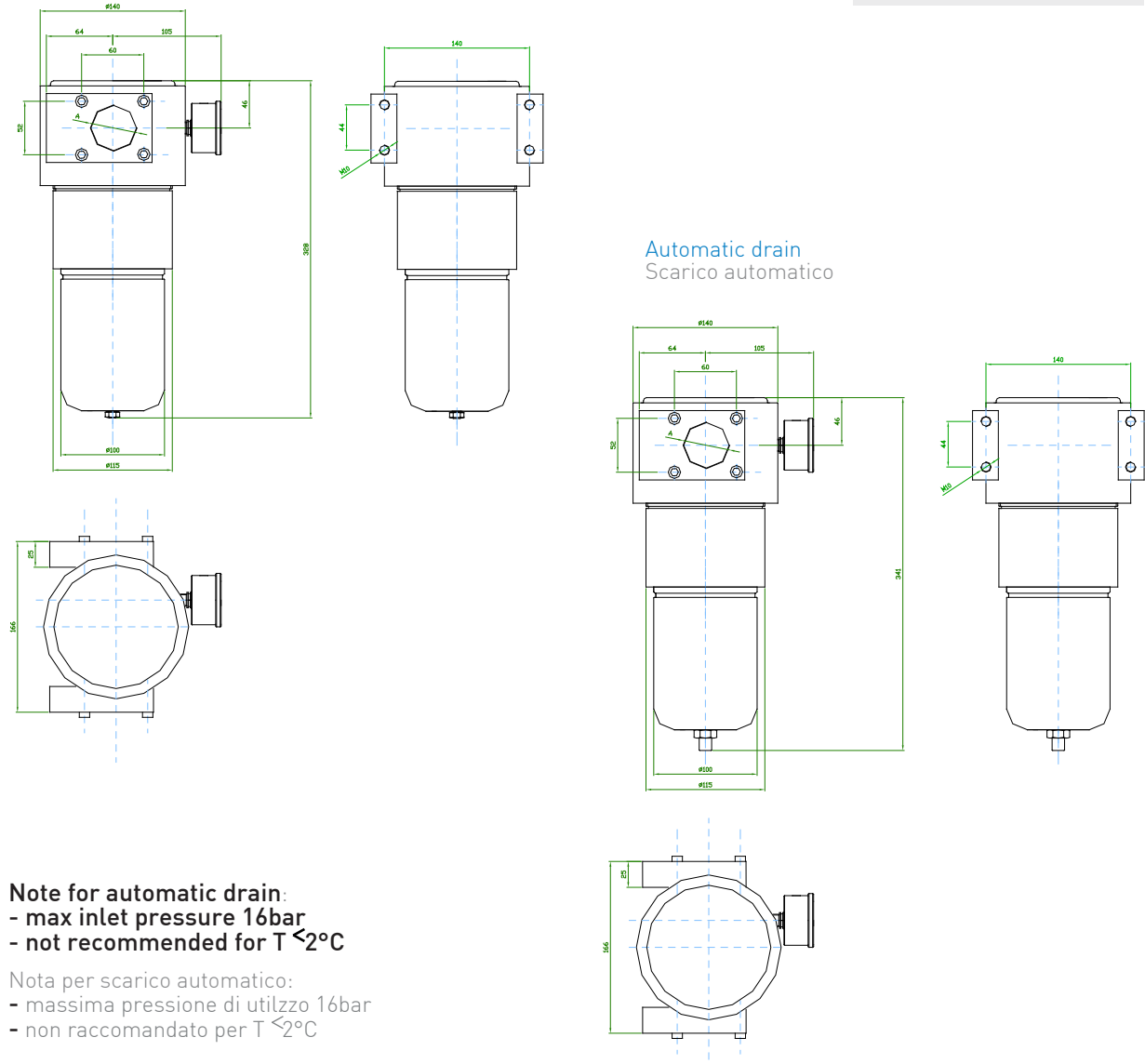
Dimensioni di ingombro

Manual drain

Scarico manuale

F24 A = 1 1/2"

F32 A = 2"



Note for automatic drain:
 - max inlet pressure 16bar
 - not recommended for T < 2°C

Nota per scarico automatico:
 - massima pressione di utilizzo 16bar
 - non raccomandato per T < 2°C

Accessories and repair kit

Accessori e ricambi

Maintenance kit / Kit manutenzione	Items K-F32-* -SS-**
Pressure gauge DN40mm, SS case, Bar+psi+kpa range / Manometro DN40mm, tutto inox, scala Bar+psi+kpa	0-2,5 bar MBS6P4S2PN04 0-4bar MBS6P4S2PN05 0-10bar MBS6P4S2PN07

* Refers to filter element option: 1→5 micron 2→25 micron 3→40 micron 4→coalescing

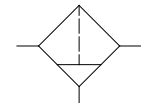
** Refers to seals type: FK→FKM NB→NBR LT→EPDM FL→FVMQ HN→HNBR

www.sitecna.eu

AISI316L 1/4"NPT filter with borosilicate glass bowl – FP serie

Filtro da 1/4"NPT in AISI316L con tazza in borosilicato – serie FP

- Suitable to process analysis application
 - Full material traceability
 - Borosilicate bowl for easy checking
-
- Adatto per applicazioni di analisi di processo
 - Completa rintracciabilità dei materiali
 - La tazza in borosilicato consente un facile controllo



Manual Drain

Media / Fluido	Compressed air, inert gases, sweet and sour gases
Port thread / Connessioni	1/4"
Filtering element Elemento filtrante	Coalescing or 3, 5, 40 micron in AISI316
Max inlet pressure Pressione massima di ingresso	10bar
Drain connection Connessione scarico	1/8"NPT
Working Temperature Temperatura di esercizio	-30°C up to 180°C (FKM)*

Air supply must be dry enough to avoid ice formation at temperatures below +2°C (+35°F).

***Special version with different gasket materials**

It provides excellent filtration for a wide range of applications. Rugged and corrosion resistant - made of 316/316L stainless steel & borosilicate glass.

Permette una filtrazione accurata per una vasta gamma di applicazioni. Robusto e resistente alla corrosione - costruito in AISI316/316L e vetro borosilicato.

BUILDING MATERIALS	Materiali costruttivi
Body & plate in Stainless steel AISI316/316L	Corpo e pannello in acciaio inossidabile AISI316/316L
Bowl in borosilicate	Tazza inferiore in vetro borosilicato
Internals, bracket, fixing screws in stainless steel AISI316	Parti interne, staffa, viti di fissaggio in acciaio inossidabile AISI316
Seals in elastomer	Tenute in elastomero
3, 5, 25, 40 micron filtering element in AISI316 stainless steel	Elemento filtrante da 3, 5 e 40 micron in acciaio inossidabile AISI316
Coalescing filtering element in bonded micro-fibre	Elemento filtrante a coalescenza in microfibra

BT-FP04SS/C21A

www.sitecna.eu

Drain options

Opzioni di scarico

Standard drain = 1/8" NPT F
 Scarico standard = 1/8" NPT F

Option 1 = 1/8" NPT F plugged
 Opzione 1 = 1/8" NPT tappato

Option 2 = complete with SS316 1/4" NPT ball valve
 VS041K0000SSPT0
 Opzione 2 = completo di valvola a sfera in AISI316 da 1/4" NPT
 VS041K0000SSPT0

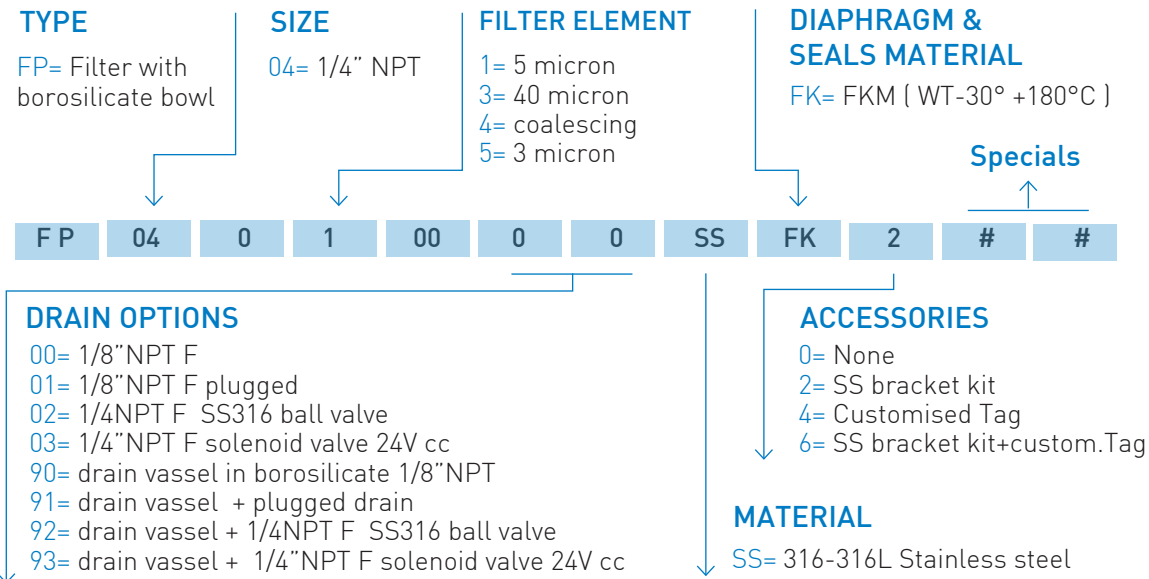
Option 3 = complete with SS316 2ways solenoid valve 24V CC
 Opzione 3 = completo di valvola a solenoide in AISI316 24V CC

DRAIN VASSEL: all version are combinable with a drain vassel (see 'how to order' section) in borosilicate 1/8" NPT F
 SERBATOIO DI ACCOMULO CONDENSA: tutte le versioni sono abbinabili ad un serbatoio di accumolo condensa (vedere 'come ordinare')



Ordering information

Come ordinare



Accessories and repair kit

Accessori e ricambi

kit Filtering elements / Elementi filtranti	Items K-FP04-*-SS-FK
Bracket / Staffa	SQ-FR04/S

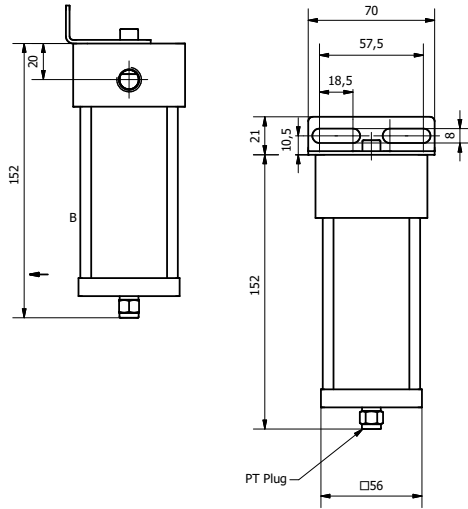
* Refers to filter element option: 1→5 micron; 3→40 micron ; 4→coalescing; 5→3 micron

BT-FP04SS/C21B

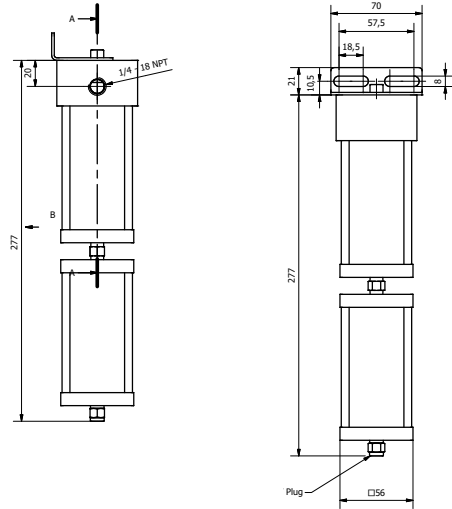
Overall dimension

Dimensioni di ingombro

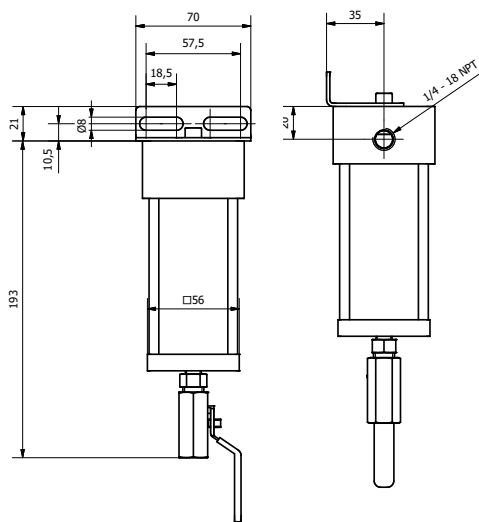
1/8" NPT F drain (plugged)
scarico 1/8" NPT F (tappato)



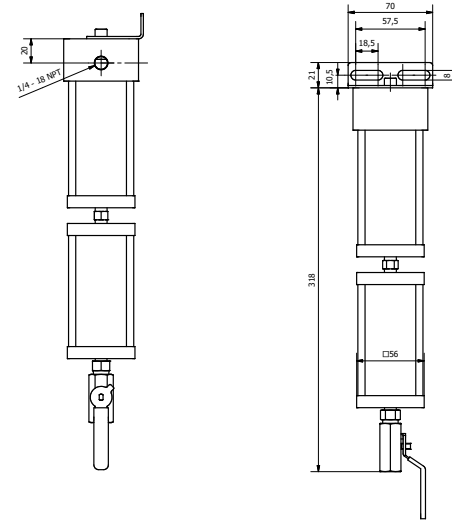
+ drain vassel 1/8" NPT F drain (plugged)
+ serbatoio e scarico 1/8" NPT F (tappato)



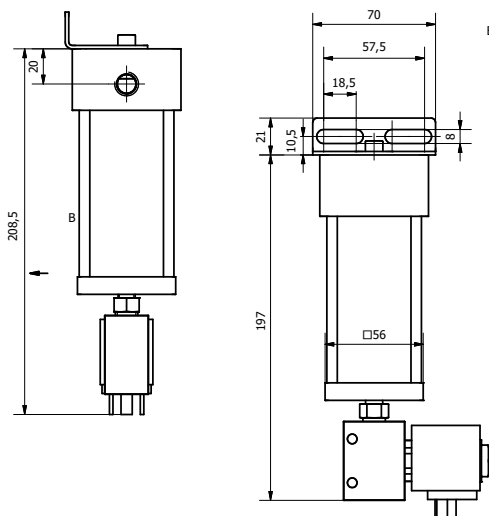
+ ball valve
+ valvola a sfera



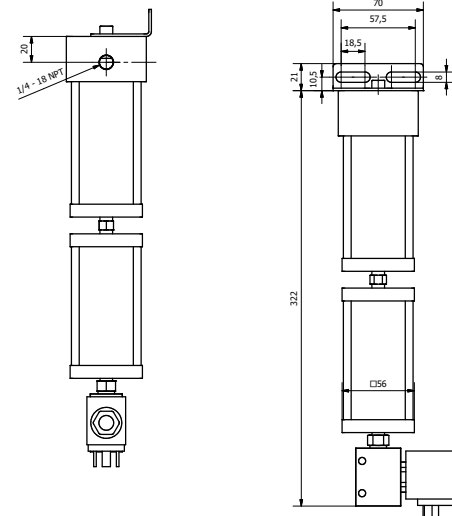
+ drain vassel & ball valve
+ serbatoio & valvola a sfera



+ solenoid valve
+ valvola a solenoide



+ drain vassel & solenoid valve
+ serbatoio & valvola a solenoide

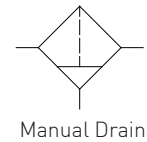


AISI316L 1/4" NPT miniaturized filter – FM serie

Mini-filtro da 1/4"NPT in AISI316L – serie FM

- Suitable to automation equipment, to onshore, offshore, analysis, pharmaceutical, medical and food applications
- Full material traceability
- Compact sizes
- 5 micron, 25micron or coalescing element available

- Adatto per automazione in applicazioni marine, petrolchimiche, di analisi, farmaceutiche, medicali e alimentari.
- Completa rintracciabilità dei materiali
- Dimensioni contenute
- Disponibile con elemento filtrante da 5 micron, 25 micron o a coalescenza



Media / Fluido	Compressed air, inert gases, sweet and sour gases
Port thread / Connessioni	1/4"NPT
Gauge Connection Connessione manometro	1/8"NPT
Filtering element Elemento filtrante	Coalescing or SS316 5, 25 micron
Max inlet pressure Pressione massima di ingresso	12bar
Drain valve / Scarico condensa	manual or plugged
Flow Rate (@6 bar Inlet pressure, delta P=0.5bar)/ Portata	400dm3/min
Working Temperature Temperatura di esercizio	0°C up to 50°C (-10° with dry air)

Air supply must be dry enough to avoid ice formation at temperatures below +2°C (+35°F).

It provides excellent filtration for a wide range of applications. Rugged and corrosion resistant - made of 316/316L stainless steel & polycarbonate.

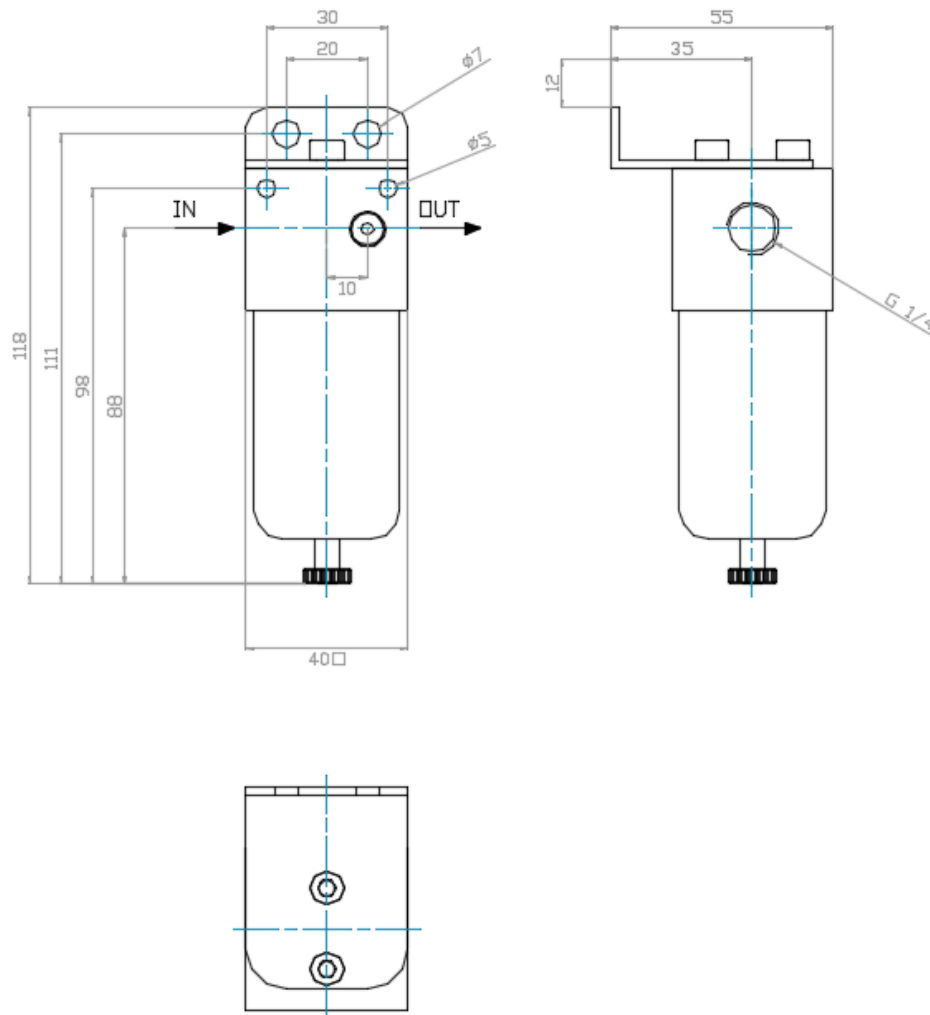
Permette una filtrazione accurata per una vasta gamma di applicazioni. Robusto e resistente alla corrosione - costruito in AISI316/316L e polycarbonato.

BUILDING MATERIALS	Materiali costruttivi
Body in Stainless steel AISI316L to NACE MR0175	Corpo in acciaio inossidabile AISI316L secondo NACE MR0175
Bowl in transparent techno-polymer	Tazza in tecno-polimero trasparente
Bracket, lock and panel nuts, fixing screws in 316 stainless steel	Staffa, dadi di bloccaggio e pannello, viti di fissaggio in acciaio inossidabile AISI316
Seals & gaskets in elastomer	Tenute e guarnizioni in elastomero
5 & 25 micron filtering element in AISI316 stainless steel	Elemento filtrante da 5 e 25 micron in acciaio inossidabile AISI316
Coalescing filtering element in bonded micro-fibre	Elemento filtrante a coalescenza in microfibra

Overall dimension

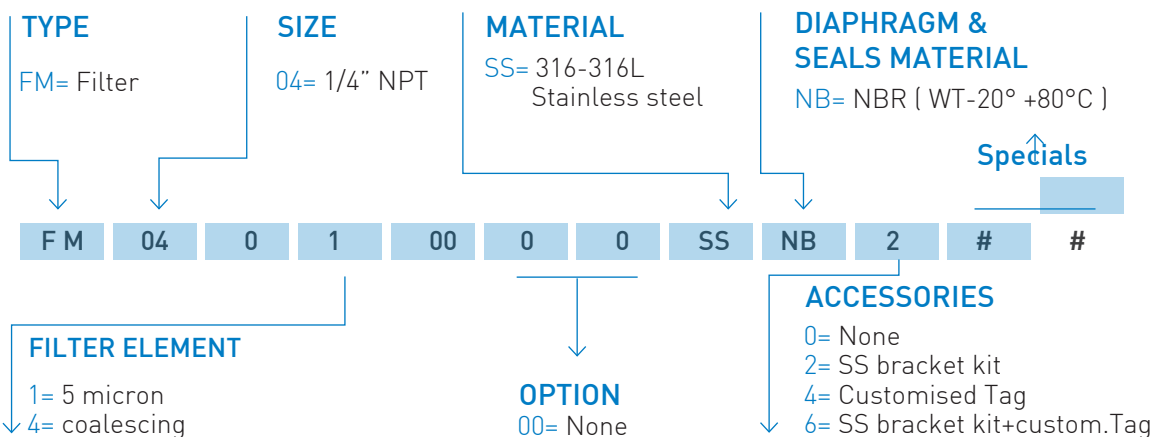
Dimensioni di ingombro

FM04 serie



Ordering information

Come ordinare



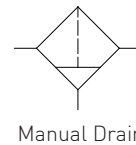
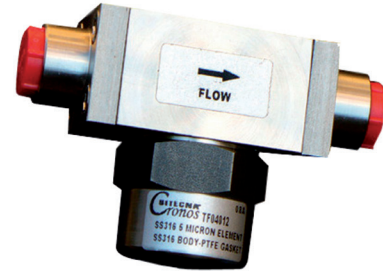
BT-FMSS/C20B

www.sitecna.eu

AISI316L 1/4" NPT tee filter – TF serie

Filtro a T da 1/4"NPT in AISI316L – serie TF

- Suitable for automation equipment to onshore, offshore, pharmaceutical, medical and food applications
- Full material traceability
- High flow capacity
- High pressure design to 70bar
- ATEX 2014/34/UE II 2G Exh IIC T6/T5 Gb X
II 2D Exh IIIC T85°C/T100°C Db X
- & approved



- Adatto per automazione in applicazioni marine, petrolchimiche, farmaceutiche, medicinali e alimentari
- Completa rintracciabilità dei materiali
- Elevate portate
- Progettazione per alta pressione 70bar
- ATEX 2014/34/UE II 2G Ex h IIC T6/T5 Gb X
II 2D Ex h IIIC T85°C/T100°C Db X
- Approvato ed

Media / Fluido	Compressed air, inert gases, sweet and sour gases
Port thread / Conessioni	1/4" NPT
Filtering element Elemento filtrante	5micron in SS316
Max inlet pressure Pressione massima di ingresso	70bar
Orefice / Orifizio	DN6.5mm
Working Temperature Temperatura di esercizio	-20°C up to 80°C (NBR); -25°C up to 90°C (FKM); -40°C up to 80°C (EPDM) *

Air supply must be dry enough to avoid ice formation at temperatures below +2°C (+35°F).

***Special version in HNBR (WT -55°C + 90°C)**

It provides excellent filtration for a wide range of applications. Rugged and corrosion-resistant – made of barstock AISI316L Compact small package size – light weight Panel mounting with stainless steel bracket.

Permette una filtrazione accurata per una vasta gamma di applicazioni. Robusto e resistente alla corrosione – Costruito in AISI316L da barra Dimensioni di ingombro ridotte – Leggero Montaggio a pannello con staffa inox.

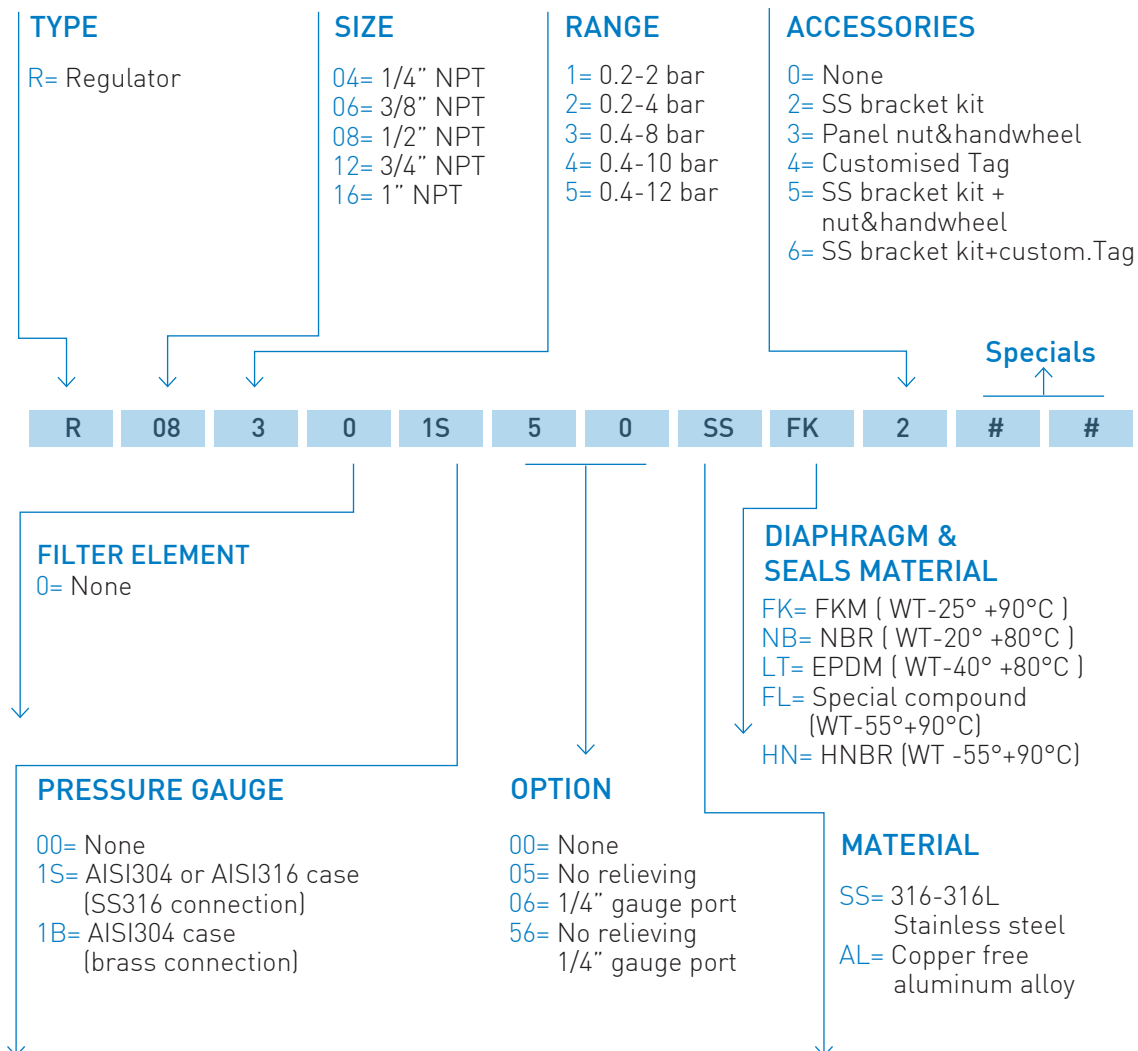
BUILDING MATERIALS	Materiali costruttivi
Body, cup & end adaptors in Stainless steel AISI316L to NACE MR0175	Corpo, tazza e flangette laterali in acciaio inossidabile AISI316L secondo NACE MR0175
Bracket, lock and panel nuts, fixing screws in 316 stainless steel	Staffa, dadi di bloccaggio e pannello, viti di fissaggio in acciaio inossidabile AISI316
Seals & gaskets in elastomer and vergin PTFE	Tenute e guarnizioni in elastomero e PTFE vergine
5micron filtering element in AISI316 sinterized stainless steel	Elemento filtrante da 5micron in acciaio inossidabile sinterizzato AISI316

BT-TFSS/C20A

Ordering information - Pressure regulators

Come ordinare - Regolatori di pressione

www.sitecna.eu



CODE EXAMPLES

R	06	3	0	1S	0	6	SS	FK	2	
---	----	---	---	----	---	---	----	----	---	--

3/8"NPT, SS316, 0 to 8 bar range pressure regulator, relieving, SS pressure gauge, 1/4"NPT gauge port, ss bracket kit and FKM diaphragm & seals Regolatore di pressione da 3/8"NPT in AISI316, range regolato 0/8 bar, manometro tutto inox, attacco manometro 1/4"NPT, relieving, staffa inox, diaframma e tenute in FKM

R	12	1	0	00	5	0	AL	LT	0	
---	----	---	---	----	---	---	----	----	---	--

3/4"NPT, aluminum alloy, 0 to 2 bar range, pressure regulator, no relieving, EPDM diaphragm & seals Filtro regolatore da 3/8"NPT in alluminio esente rame, range regolato 0/8 bar, no relieving, diaframma e tenute in EPDM



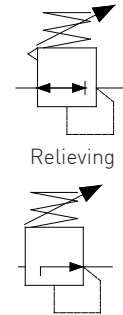
01-R/20A

www.sitecna.eu

Copper free aluminum alloy 1/4" NPT pressure regulator – R Serie

Regolatore di pressione da 1/4" NPT in lega di alluminio esente rame – serie R

- Suitable for automation equipment to onshore, offshore, pharmaceutical, medical and food applications
- Full material traceability
- Excellent stability and repeatability
- Accurate adjustment and high flow capacity
- ATEX 2014/34/UE II 2G Ex h IIC T6/T5 Gb X
II 2D Ex h IIIC T85°C/T100°C Db X
- & approved / IP66/ SIL 3 - IEC 61508



Relieving
Non Relieving

- Adatto per automazione in applicazioni marine, petrolchimiche, farmaceutiche, medicali e alimentari
- Completa rintracciabilità dei materiali
- Eccellente stabilità e ripetibilità
- Precise regolazioni ed elevate portate
- ATEX 2014/34/UE II 2G Ex h IIC T6/T5 Gb X
II 2D Ex h IIIC T85°C/T100°C Db X
- Approvato ed / IP66 / SIL 3 - IEC 61508

Media / Fluido	Air, inert gases, sweet and sour gases, clean water
Port thread / Connessioni	1/4" NPT
Gauge Connection Connessione manometro	1/8" NPT (1/4" NPT option)
Max inlet pressure Pressione massima di ingresso	25bar
Relieving / Scarico sovrappressioni	standard
Flow Rate (@10 bar inlet, 6bar regulated, delta P=1bar) / Portata	940dm ³ /min Cv=0.9
Working Temperature Temperatura di esercizio	-20°C up to 80°C (NBR); -25°C up to 90°C (FKM); -40°C up to 80°C (EPDM); -55° up tp 90°C (FVMQ)*
Regulated pressure Pressioni regolate	0.2/2, 0.2/4, 0.4/8, 0.4/10, 0.4/12bar

Air supply must be dry enough to avoid ice formation at temperatures below +2°C (+35°F).

*Special version in HNBR (WT -55°C + 90°C)

It provides excellent regulation for a wide range of applications. Rugged and corrosion-resistant – made of aluminum alloy and SS AISI304/316. Compact small package size /
 Permette una regolazione accurata per una vasta gamma di applicazioni. Robusto e resistente alla corrosione – Costruito lega di alluminio ed AISI304/316 - Dimensioni di ingombro ridotte

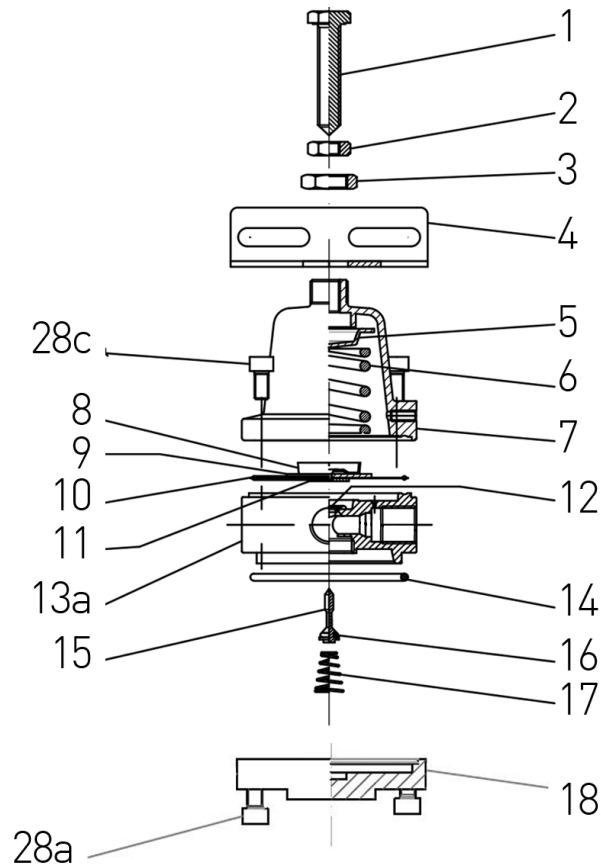
BUILDING MATERIALS	Materiali costruttivi
Body, bonnet, end plate in tropicalized aluminum alloy	Corpo, tazza superiore, piastra inferiore in lega di alluminio tropicalizzata
Internals, adjustment screw, bracket, lock and panel nuts, fixing screws in stainless steel	Parti interne, vite di regolazione, staffa, dadi di bloccaggio e pannello, viti di fissaggio in acciaio inossidabile
Diaphragm & seals in elastomer	Diaframma e guarnizioni in elastomero

BT-R04AL/C20A

Product exploded view

Esploso del prodotto

www.sitecna.eu



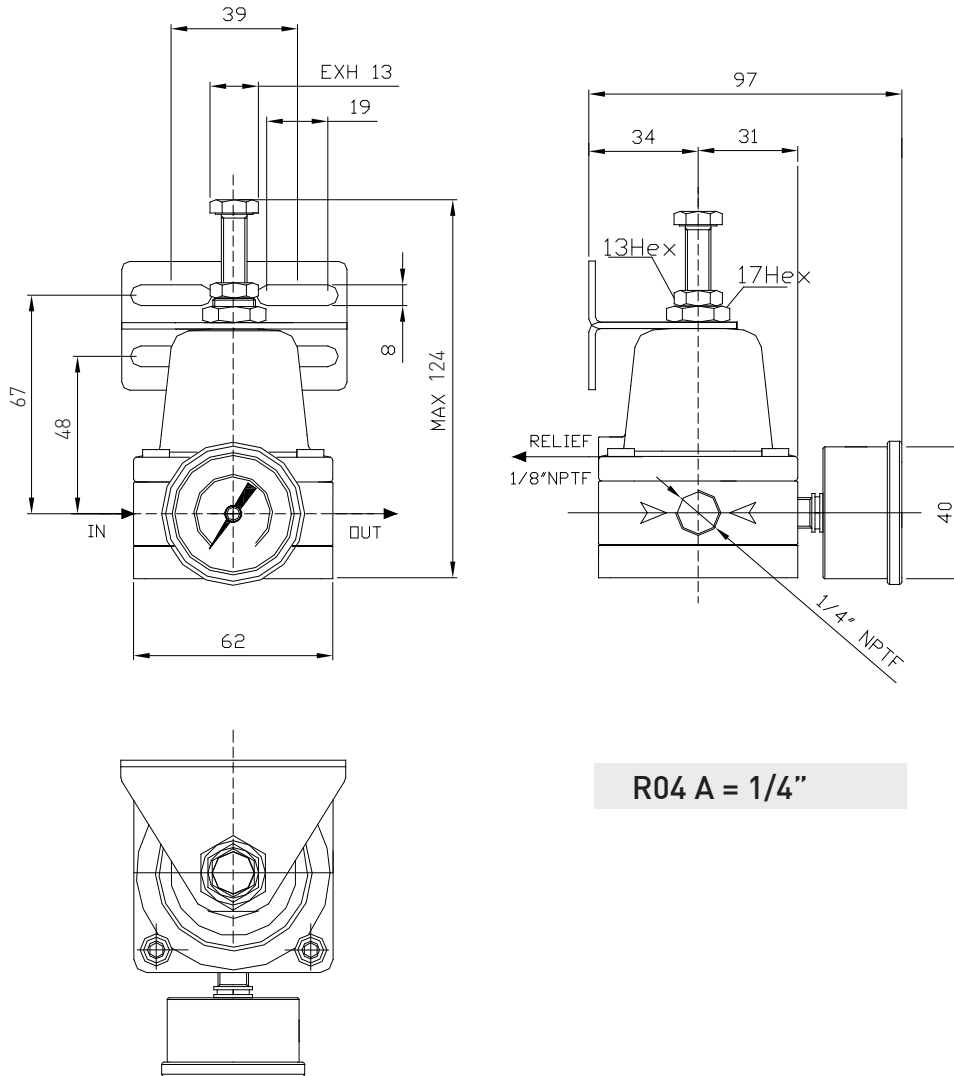
Pos.	Q.ty	Description	Descrizione
1	1	ADJUSTMENT SCREW	VITE DI REGOLAZIONE
2	1	LOCK ADJUSTMENT NUT	DADO FISSAGGIO REGOLAZIONE
3	1	BRACKET NUT	DADO STAFFA
4a	1	BRACKET	STAFFA
5	1	UPPER SPRING SEAT	SEDE SUPERIORE MOLLA
6	1	ADJUSTMENT SPRING	MOLLA DI REGOLAZIONE
7	1	BONNET	TAZZA SUPERIORE
8	1	LOWER SPRING GUIDE	GUIDA INFERIORE MOLLA
9	1	LOWER SPRING RESET	RESET INFERIORE MOLLA
10	1	DIAPHRAGM	DIAFRAMMA
11	1	VALVE SEAT	SEDE VALVOLA
12	1	PTFE RING	ANELLO PTFE
13a	1	BODY	CORPO
14	1	O-RING	O-RING
15	1	VALVE STEAM	CORPO VALVOLA
16	1	O-RING VALVE STEAM	O-RING VALVE STEAM
17	1	VALVE SPRING	MOLLA VALVOLA
18	1	REGULATOR BOTTOM	PIATTELLO
28a	4	SCREW M5X10	VITI M5X10
28c	4	SCREW M5X10	VITI M5X10

BT-R40AL/C20B

Overall dimension

Dimensioni di ingombro

www.sitecna.eu



R04 A = 1/4"

Accessories and repair kit

Accessori e ricambi





Maintenance kit / Kit manutenzione	Items K-R04-0-AL-** [1/4"]
Pressure gauge DN40mm, SS case, Bar+psi+kpa range / Manometro DN40mm, cassa inox, scala Bar+psi+kpa	0-2bar MBSNP4S2PN3S 0-4bar MBSNP4S2PN05 0-10bar MBSNP4S2PN07
Bracket /Staffa	SQ-FR04
Anti-tamper kit / Kit anti-manomissione	KTAM04-08

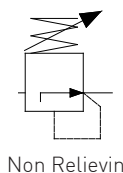
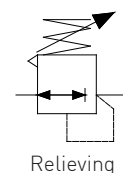
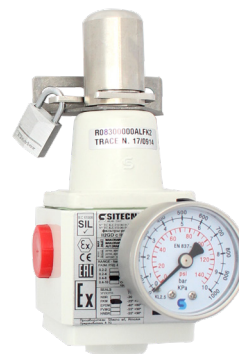
** Refers to seals type: FK→FKM NB→NBR LT→EPDM FL→FVMQ HN→HNBR


BT-R04AL/C20C

Copper free aluminum alloy 3/8", 1/2"NPT pressure regulator – R serie

Regolatore di pressione da 3/8" e 1/2"NPT in lega di alluminio esente rame – serie R

- Suitable for automation equipment to onshore, offshore, pharmaceutical, medical and food applications
- Full material traceability
- Excellent stability and repeatability
- Accurate adjustment and high flow capacity
- ATEX 2014/34/UE  II 2G Ex h IIC T6/T5 Gb X
II 2D Ex h IIIC T85°C/T100°C Db X
-  &  approved / IP66 / SIL 3 - IEC 



- Adatto per automazione in applicazioni marine, petrolchimiche, farmaceutiche, medicali e alimentari
- Completa rintracciabilità dei materiali
- Eccellente stabilità e ripetibilità
- Precise regolazioni ed elevate portate
- ATEX 2014/34/UE  II 2G Ex h IIC T6/T5 Gb X
II 2D Ex h IIIC T85°C/T100°C Db X
- Approvato  ed  / IP66 / SIL 3 - IEC 61508 

Media / Fluido	Air, inert gases, sweet and sour gases, clean water
Port thread / Connessioni	3/8"-1/2"NPT
Gauge Connection Connessione manometro	1/8"NPT (1/4"NPT option)
Max inlet pressure Pressione massima di ingresso	25bar
Relieving / Scarico sovrappressioni	standard
Flow Rate (@10 bar inlet, 6bar regulated, delta P=1bar)/ Portata	4500dm3/min Cv=4.5
Working Temperature Temperatura di esercizio	-20°C up to 80°C (NBR); -25°C up to 90°C (FKM); -40°C up to 80°C (EPDM); -55° up tp 90°C (FVMQ)*
Regulated pressure Pressioni regolate	0.2/2, 0.2/4, 0.4/8, 0.4/10, 0.4/12bar

Air supply must be dry enough to avoid ice formation at temperatures below +2°C (+35°F).

*Special version in HNBR (WT -55°C + 90°C)

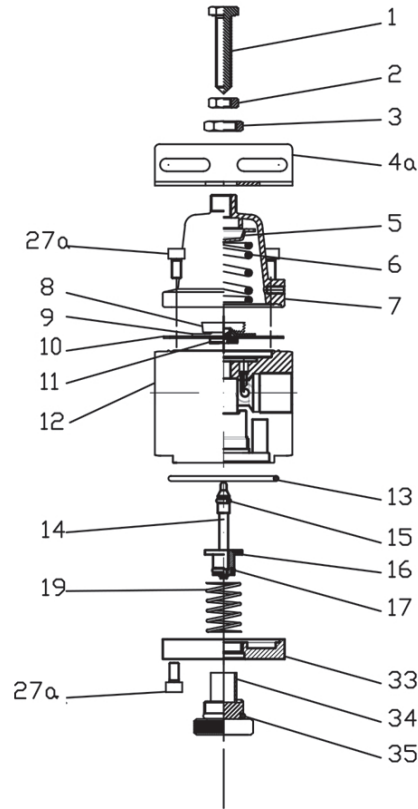
It provides excellent regulation for a wide range of applications. Rugged and corrosion-resistant – made of aluminum alloy and SS AISI304/316. Compact small package size – light weight / Permette una regolazione accurata per una vasta gamma di applicazioni. Robusto e resistente alla corrosione – Costruito lega di alluminio ed AISI304/316 - Dimensioni di ingombro ridotte

BUILDING MATERIALS	Materiali costruttivi
Body, bonnet, end plate in tropicalized aluminum alloy	Corpo, tazza superiore, piastra inferiore in lega di alluminio tropicalizzata
Internals, adjustment screw, bracket, lock and panel nuts, fixing screws in stainless steel	Parti interne, vite di regolazione, staffa, dadi di bloccaggio e pannello, viti di fissaggio in acciaio inossidabile
Diaphragm & seals in elastomer	Diaframma e guarnizioni in elastomero

Product exploded view

Esploso del prodotto

www.sitecna.eu

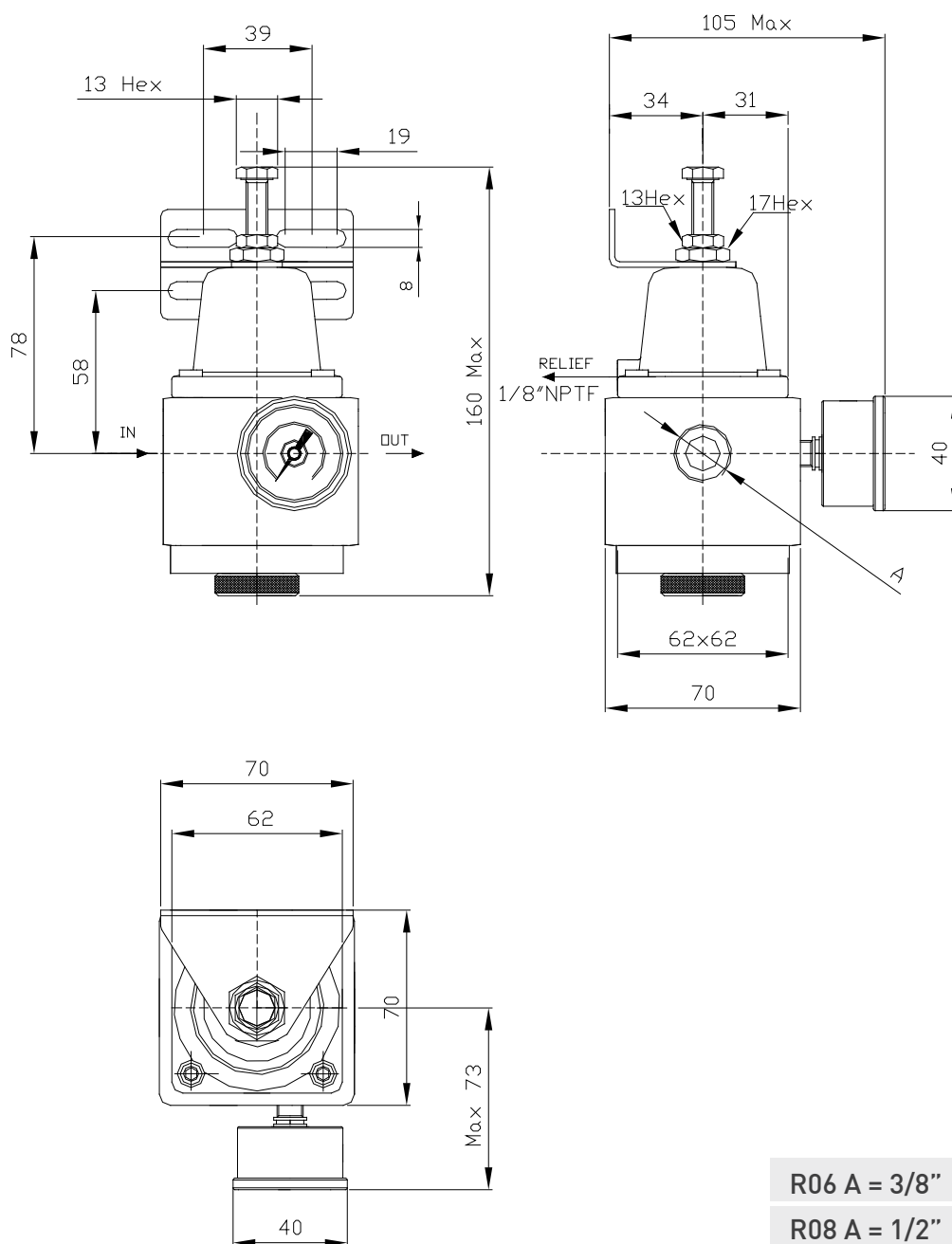


Pos.	Q.ty	Description	Descrizione
1	1	ADJUSTMENT SCREW	VITE DI REGOLAZIONE
2	1	LOCK ADJUSTMENT NUT	DADO FISSAGGIO REGOLAZIONE
3	1	BRACKET NUT	DADO STAFFA
4a	1	BRACKET FR/R	STAFFA
5	1	UPPER SPRING SEAT	SEDE SUPERIORE MOLLA
6	1	ADJUSTMENT SPRING	MOLLA DI REGOLAZIONE
7	1	BONNET	TAZZA SUPERIORE
8	1	LOWER SPRING GUIDE	GUIDA INFERIORE MOLLA
9	1	LOWER SPRING RESET	RESET INFERIORE MOLLA
10	1	DIAPHRAGM	DIAFRAMMA
11	1	VALVE SEAT	SEDE VALVOLA
12	1	BODY	CORPO
13	1	O-RING	O-RING
14	1	VALVE STEAM	CORPO VALVOLA
15	1	O'RING VALVE STEAM	O'RING VALVE STEAM
16	1	VALVE	VALVOLA
17	1	O'RING VALVE	O'RING VALVE
19	1	VALVE SPRING	MOLLA VALVOLA
27a	8	SCREW M5X10	VITI M5X10
33	1	REGULATOR BOTTOM	PIATTELLO
34	1	REGULATOR VALVE SEAT	SEDE VALVOLA
35	1	O'RING	O'RING

BT-R08AL/20B

Overall dimension

Dimensioni di ingombro



R06 A = 3/8"

R08 A = 1/2"

Accessories and repair kit

Accessori e ricambi

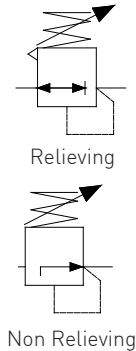
Maintenance kit / Kit manutenzione	Items K-R08-0-AL-**
Pressure gauge DN40mm, SS case, Bar+psi+kpa range / Manometro DN40mm, cassa inox, scala Bar+psi+kpa	0-2bar MBSNP4S2PN3S 0-4bar MBSNP4S2PN05 0-10bar MBSNP4S2PN07
Bracket /Staffa	SQ-FR04
Anti-tamper kit / Kit anti-manomissione	KTAM04-08

www.sitecna.eu

Copper free aluminum alloy 3/4", 1"NPT pressure regulator – R serie

Regolatore di pressione da 3/4" - 1"NPT in lega di alluminio esente rame – serie R

- Suitable for automation equipment to onshore, offshore, pharmaceutical, medical and food applications
- Full material traceability
- Excellent stability and repeatability
- Accurate adjustment and high flow capacity
- ATEX 2014/34/UE II 2G Ex h IIC T6/T5 Gb X
II 2D E xh IIIC T85°C/T100°C Db X
- & approved / IP66/ SIL 3 - IEC 61508



- Adatto per automazione in applicazioni marine, petrolchimiche, farmaceutiche, medicali e alimentari
- Completa rintracciabilità dei materiali
- Eccellente stabilità e ripetibilità
- Precise regolazioni ed elevate portate
- ATEX 2014/34/UE II 2G Ex h IIC T6/T5 Gb x
II 2D Ex h IIIC T85°C/T100°C Db X
- Approvato ed / IP66 / SIL 3 - IEC 61508

Media / Fluido	Air, inert gases, sweet and sour gases, clean water
Port thread / Conessioni	3/4" - 1" NPT
Gauge Connection Connessione manometro	1/4" NPT (1/8" NPT option)
Max inlet pressure / Pressione massima di ingresso	25bar
Relieving/ Scarico sovrappressioni	Standard
Flow rate (@10bar inlet, 6bar regulated, delta P=1bar) / Portata	11500dm ³ /min Cv=11.5
Working temperature / Temperatura di esercizio	-20°C up to 80°C (NBR); -25°C up to 90°C (FKM); -40°C up to 80°C (EPDM); -55° up tp 90°C (FVMQ)*
Regulated pressure Pressioni regolate	0.2/2, 0.2/4, 0.4/8, 0.4/10, 0.4/12bar

Air supply must be dry enough to avoid ice formation at temperatures below +2°C (+35°F).

*Special version in HNBR (WT -55°C + 90°C)

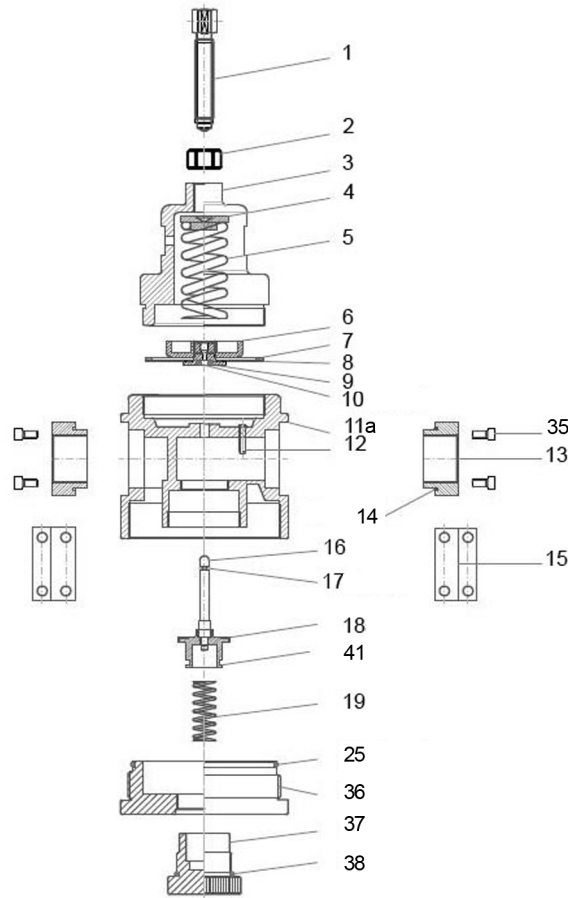
It provides excellent regulation and for a wide range of applications. Rugged and corrosion-resistant – made of aluminum alloy and SS AISI304/316 / Permette un'accurata regolazione per una vasta gamma di applicazioni. Robusto e resistente alla corrosione – Costruito lega di alluminio ed AISI316

BUILDING MATERIALS	Materiali costruttivi
Body, bonnet, end plate in tropicalized aluminum alloy	Corpo, tazza superiore, piastra inferiore in lega di alluminio tropicalizzata
Internals, adjustment screw, bracket, lock and panel nuts, fixing screws in stainless steel	Parti interne, vite di regolazione, staffa, dadi di bloccaggio e pannello, viti di fissaggio in acciaio inossidabile
Diaphragm & seals in elastomer	Diaframma e guarnizioni in elastomero

BT-R16AL/C20A

Product exploded view

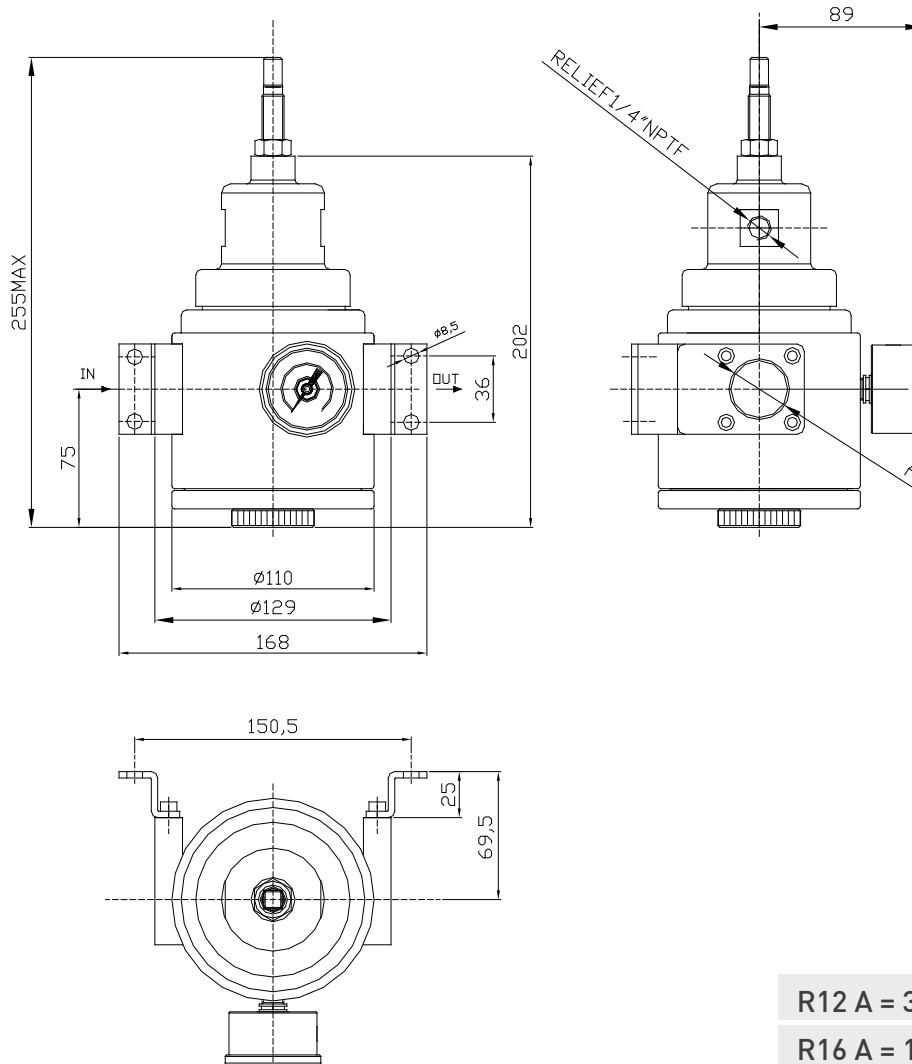
Esploso del prodotto



Pos.	Q.ty	Description	Descrizione
1	1	ADJUSTMENT SCREW	VITE DI REGOLAZIONE
2	1	LOCK ADJUSTMENT NUT	DADO FISSAGGIO REGOLAZIONE
3	1	BONNET	TAZZA SUPERIORE
4	1	UPPER SPRING SEAT	SEDE SUPERIORE MOLLA
5	1	ADJUSTMENT SPRING	MOLLA DI REGOLAZIONE
6	1	LOWER SPRING RESET	RESET INFERIORE MOLLA
7	1	SLIP RING	SLIP RING
8	1	DIAPHRAGM	SEDE VALVOLA
9	1	VALVE SEAT	CORPO
10	1	O'RING (ONLY FOR RELIEVING)	O'RING (SOLO PER RELIEVING)
11a	1	BODY	CORPO
12	1	SIPHON	SIFONE
13	2	CONNECTION	TERMINALI FILETTATI
14	2	O'RING	O'RING
15	2	BRACKET	STAFFA
16	1	VALVE STEAM	COPRO VALVOLA
17	1	O'RING	O'RING
18	1	VALVE	VALVOLA
19	1	VALVE SPRING	MOLLA VALVOLA
35	8	SCREW M5x16 DIN 912 A2	VITI M5X16
36	1	REGULATOR BOTTOM	PIATTELLO
37	1	REGULATOR VALVE SEAT	SEDE VALVOLA
38	1	O'RING	O'RING
41	1	O'RING VALVE	O'RING VALVE

Overall dimension

Dimensioni di ingombro



R12 A = 3/4"
R16 A = 1"

Accessories and repair kit



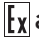

Accessori e ricambi





Maintenance kit / Kit manutenzione	Items K-R16-0-AL-**
Pressure gauge DN40mm, SS case, Bar+psi+kpa range / Manometro DN40mm, cassa inox, scala Bar+psi+kpa	0-2bar MBSNP4S2PN3S 0-4bar MBSNP4S2PN05 0-10bar MBSNP4S2PN07
Bracket / Staffa	SQ-FR16
Anti-tamper kit / Kit anti-manomissione	KTAM04-08

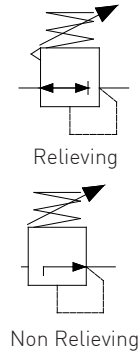
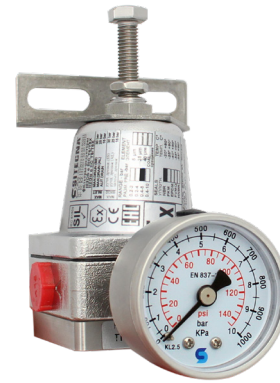
** Refers to seals type: FK→FKM NB→NBR LT→EPDM FL→FVMQ HN→HNBR

AISI316L 1/4"NPT pressure regulator – R serie

Regolatore di pressione da 1/4"NPT in AISI316L – serie R

- Suitable for automation equipment to onshore, offshore, pharmaceutical, medical and food applications
- Full material traceability
- Excellent stability and repeatability
- Accurate adjustment and high flow capacity
- ATEX 2014/34/UE  II 2G Ex h IIC T6/T5 Gb X
II 2D Ex h IIIC T85°C/T100°C Db X
-  &  approved / IP66/ SIL 3 - IEC 61508 

- Adatto per automazione in applicazioni marine, petrolchimiche, farmaceutiche, medicali e alimentari
- Completa rintracciabilità dei materiali
- Eccellente stabilità e ripetibilità
- Precise regolazioni ed elevate portate
- ATEX 2014/34/UE  II 2G Ex h IIC T6/T5 Gb X
II 2D Ex h IIIC T85°C/T100°C Db X
- Approvato  ed  / IP66 / SIL 3 - IEC 61508 



Media / Fluido	Compressed air, inert gases, sweet and sour gases
Port thread / Connessioni	1/4"NPT
Gauge Connection Connessione manometro	1/8"NPT (1/4"NPT option)
Max inlet pressure / Pressione massima di ingresso	30bar
Relieving/ Scarico sovrappressioni	Standard
Flow Rate (@10 bar inlet, 6bar regulated, delta P=1bar)/ Portata	940dm ³ /min Cv=0.9
Working temperature / Temperatura di esercizio	-20°C up to 80°C (NBR); -25°C up to 90°C (FKM); -40°C up to 80°C (EPDM); -55° up to 90°C (FVMQ)*
Regulated pressure Pressioni regolate	0.2/2, 0.2/4, 0.4/8, 0.4/10, 0.4/12bar

Air supply must be dry enough to avoid ice formation at temperatures below +2°C (+35°F).

*Special version in HNBR (WT -55°C + 90°C)

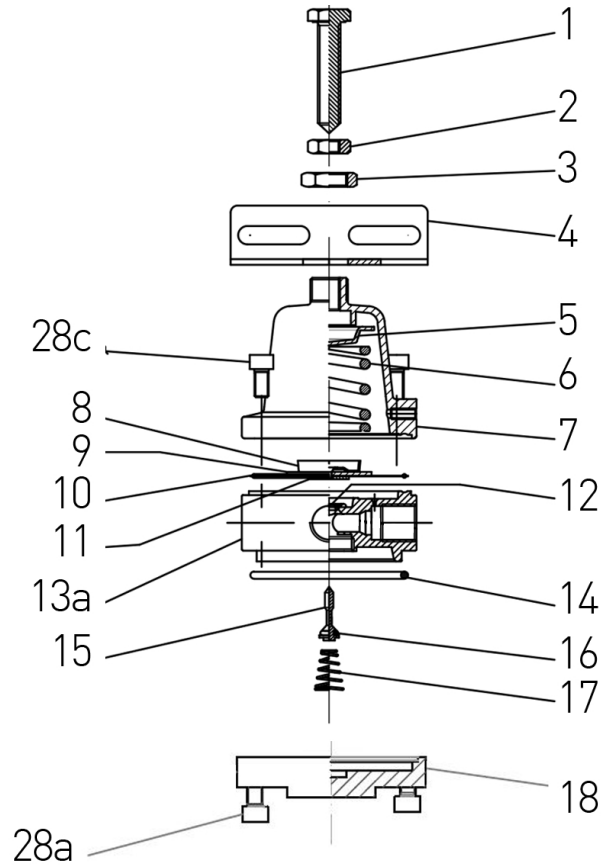
It provides excellent regulation for a wide range of applications. Rugged and corrosion resistant - made of 316/316L stainless steel.

Permette una regolazione accurata per una vasta gamma di applicazioni. Robusto e resistente alla corrosione - costruito in AISI316/316L.

BUILDING MATERIALS	Materiali costruttivi
Body, bonnet, end plate in AISI 316/316L stainless steel	Corpo, coperchio, piastra inferiore acciaio inossidabile AISI316/316L
Internals, adjustment screw, bracket, lock and panel nuts, fixing screws in stainless steel	Parti interne, vite di regolazione, staffa, dadi di bloccaggio e pannello, viti di fissaggio in acciaio inossidabile
Diaphragm & seals in elastomer	Diaframma e guarnizioni in elastomero

Product exploded view

Esploso del prodotto

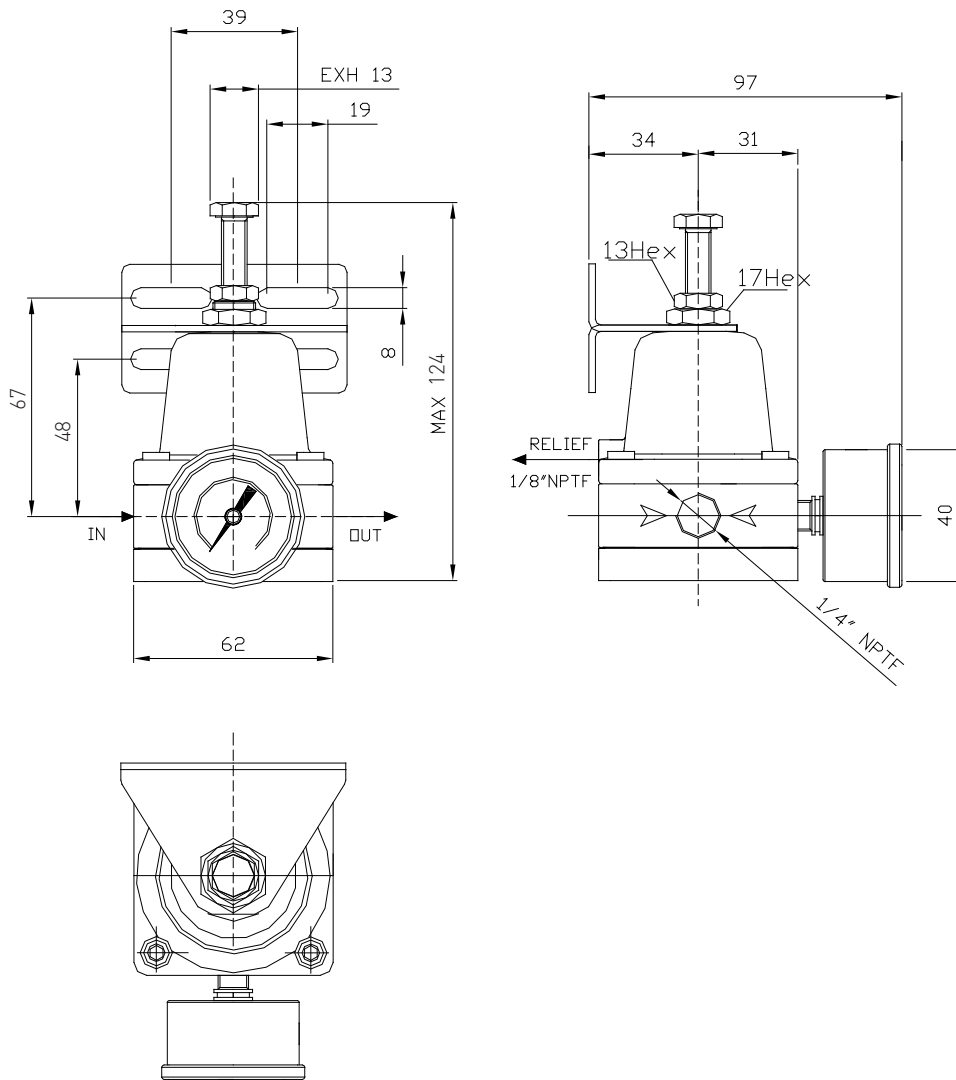


Pos.	Q.ty	Description	Descrizione
1	1	ADJUSTMENT SCREW	VITE DI REGOLAZIONE
2	1	LOCK ADJUSTMENT NUT	DADO FISSAGGIO REGOLAZIONE
3	1	BRACKET NUT	DADO STAFFA
4a	1	BRACKET	STAFFA
5	1	UPPER SPRING SEAT	SEDE SUPERIORE MOLLA
6	1	ADJUSTMENT SPRING	MOLLA DI REGOLAZIONE
7	1	BONNET	TAZZA SUPERIORE
8	1	LOWER SPRING GUIDE	GUIDA INFERIORE MOLLA
9	1	LOWER SPRING RESET	RESET INFERIORE MOLLA
10	1	DIAPHRAGM	DIAFRAMMA
11	1	VALVE SEAT	SEDE VALVOLA
12	1	PTFE RING	ANELLO PTFE
13a	1	BODY	CORPO
14	1	O-RING	O-RING
15	1	VALVE STEAM	CORPO VALVOLA
16	1	O'RING VALVE STEAM	O'RING VALVE STEAM
17	1	VALVE SPRING	MOLLA VALVOLA
18	1	REGULATOR BOTTOM	PIATTELLO
28a	4	SCREW M5X10	VITI M5X10
28c	4	SCREW M5X10	VITI M5X10

BT-R04SS/C20B

Overall dimension

Dimensioni di ingombro



R04 A = 1/4"

Accessories and repair kit

Accessori e ricambi

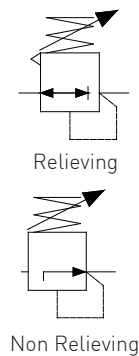
Maintenance kit / Kit manutenzione	K-R04-0-SS-** [1/4"]
Pressure gauge DN40mm, all inox, Bar+psi+kpa range / Manometro DN40mm, tutto inox, scala Bar+psi+kpa	0-2,5 bar MBS6P4S2PN04 0-4bar MBS6P4S2PN05 0-10bar MBS6P4S2PN07
Bracket / Staffa	SQ-FR04
Anti-tamper kit / Kit anti-manomissione	KTAM04-08

** Refers to seals type: FK→FKM NB→NBR LT→EPDM FL→FVMQ HN→HNBR

AISI316L 3/8"-1/2"NPT pressure regulator – R serie

Regolatore di pressione da 3/8" e 1/2"NPT in AISI316L – serie R

- Suitable for automation equipment to onshore, offshore, pharmaceutical, medical and food applications
- Full material traceability
- Excellent stability and repeatability
- Accurate adjustment and high flow capacity
- ATEX 2014/34/UE II 2G Ex h IIC T6/T5 Gb X
II 2D Ex h IIIC T85°C/T100°C Db X
- & approved / IP66/ SIL 3 - IEC 61508



- Adatto per automazione in applicazioni marine, petrolchimiche, farmaceutiche, medicali e alimentari
- Completa rintracciabilità dei materiali
- Eccellente stabilità e ripetibilità
- Precise regolazioni ed elevate portate
- ATEX 2014/34/UE II 2G Ex h IIC T6/T5 Gb X
II 2D Ex h IIIC T85°C/T100°C Db X
- Approvato ed / IP66 / SIL 3 - IEC 61508

Media / Fluido	Compressed air, inert gases, sweet and sour gases
Port thread / Connessioni	3/8"-1/2"NPT
Gauge Connection Connessione manometro	1/8"NPT (1/4"NPT option)
Max inlet pressure / Pressione massima di ingresso	30bar
Relieving/ Scarico sovrappressioni	Standard
Flow Rate (@10 bar inlet, 6bar regulated, delta P=1bar)/ Portata	4500dm3/min Cv=4.5
Working temperature / Temperatura di esercizio	-20°C up to 80°C (NBR); -25°C up to 90°C (FKM); -40°C up to 80°C (EPDM); -55° up tp 90°C (FVMQ)*
Regulated pressure Pressioni regolate	0.2/2, 0.2/4, 0.4/8, 0.4/10, 0.4/12bar

Air supply must be dry enough to avoid ice formation at temperatures below +2°C (+35°F).

***Special version in HNBR (WT -55°C + 90°C)**

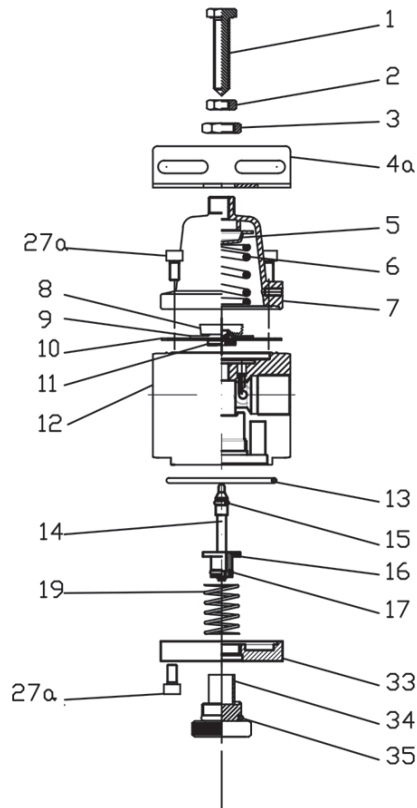
It provides excellent regulation for a wide range of applications. Rugged and corrosion resistant - made of 316/316L stainless steel.

Permette una regolazione accurata per una vasta gamma di applicazioni. Robusto e resistente alla corrosione - costruito in AISI316/316L.

BUILDING MATERIALS	Materiali costruttivi
Body, bonnet, end plate in AISI 316/316L stainless steel	Corpo, coperchio, piastra inferiore acciaio inossidabile AISI316/316L
Internals, adjustment screw, bracket, lock and panel nuts, fixing screws in stainless steel	Parti interne, vite di regolazione, staffa, dadi di bloccaggio e pannello, viti di fissaggio in acciaio inossidabile
Diaphragm & seals in elastomer	Diaframma eguarnizioni in elastomero

Product exploded view

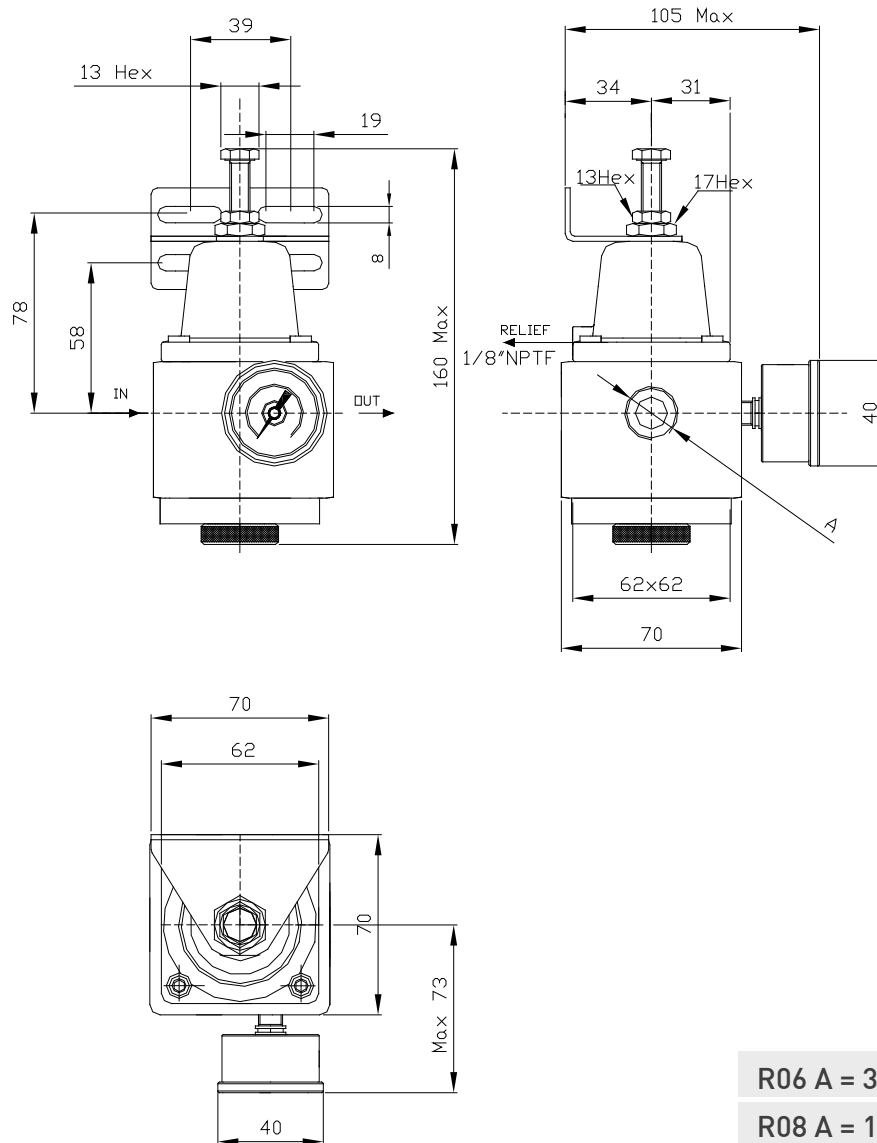
Esploso del prodotto



Pos.	Q.ty	Description	Descrizione
1	1	ADJUSTMENT SCREW	VITE DI REGOLAZIONE
2	1	LOCK ADJUSTMENT NUT	DADO FISSAGGIO REGOLAZIONE
3	1	BRACKET NUT	DADO STAFFA
4a	1	BRACKET FR/R	STAFFA
5	1	UPPER SPRING SEAT	SEDE SUPERIORE MOLLA
6	1	ADJUSTMENT SPRING	MOLLA DI REGOLAZIONE
7	1	BONNET	TAZZA SUPERIORE
8	1	LOWER SPRING GUIDE	GUIDA INFERIORE MOLLA
9	1	LOWER SPRING RESET	RESET INFERIORE MOLLA
10	1	DIAPHRAGM	DIAFRAMMA
11	1	VALVE SEAT	SEDE VALVOLA
12	1	BODY	CORPO
13	1	O-RING	O-RING
14	1	VALVE STEAM	CORPO VALVOLA
15	1	O'RING VALVE STEAM	O'RING VALVE STEAM
16	1	VALVE	VALVOLA
17	1	O'RING VALVE	O'RING VALVE
19	1	VALVE SPRING	MOLLA VALVOLA
27a	8	SCREW M5X10	VITI M5X10
33	1	REGULATOR BOTTOM	PIATTELLO
34	1	REGULATOR VALVE SEAT	SEDE VALVOLA
35	1	O'RING	O'RING

Overall dimension

Dimensioni di ingombro



R06 A = 3/8"
R08 A = 1/2"

Accessories and repair kit


Accessori e ricambi

Maintenance kit / Kit manutenzione	Items K-R08-0-SS-**
Pressure gauge DN40mm, all SS, Bar+psi+kpa range / Manometro DN40mm, tutto inox, scala Bar+psi+kpa	0-2,5 bar MBS6P4S2PN04 0-4bar MBS6P4S2PN05 0-10bar MBS6P4S2PN07
Bracket / Staffa	SQ-FR04
Anti-tamper kit / Kit anti-manomissione	KTAM04-08




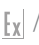

** Refers to seals type: FK→FKM NB→NBR LT→EPDM FL→FVMQ HN→HNBR

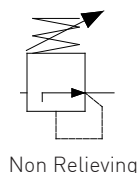
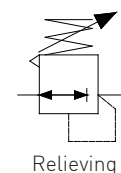
AISI316L 3/4"-1"NPT pressure regulator – R serie

Regolatore di pressione da 3/4" - 1"NPT in AISI316L – serie R

- Suitable for automation equipment to onshore, offshore, pharmaceutical, medical and food applications
- Full material traceability
- Excellent stability and repeatability
- Accurate adjustment and high flow capacity
- ATEX 2014/34/UE  II 2G Ex h IIC T6/T5 Gb X
II 2D Ex h IIIC T85°C/T100°C Db X

-  &  approved / IP66/ SIL 3 - IEC 61508 

- Adatto per automazione in applicazioni marine, petrolchimiche farmaceutiche, medicali e alimentari
- Completa rintracciabilità dei materiali
- Eccellente stabilità e ripetibilità
- Precise regolazioni  ed elevate portate
- ATEX 2014/34/UE  II 2G Ex h IIC T6/T5 Gb X
II 2D Ex h IIIC T85°C/T100°C Db X
- Approvato  ed  / IP66 / SIL 3 - IEC 61508 



Media / Fluido	Compressed air, inert gases, sweet and sour gases
Port thread / Connessioni	3/4" - 1" NPT
Gauge Connection Connessione manometro	1/4" NPT (1/8" NPT option)
Max inlet pressure / Pressione massima di ingresso	30bar
Relieving/ Scarico sovrappressioni	Standard
Flow rate (@10bar inlet, 6bar regulated, delta P=1bar) / Portata	11500dm ³ /min Cv=11.5
Working temperature / Temperatura di esercizio	-20°C up to 80°C (NBR); -25°C up to 90°C (FKM); -40°C up to 80°C (EPDM); -55° up to 90°C (FVMQ)*
Regulated pressure Pressioni regolate	0.2/2, 0.2/4, 0.4/8, 0.4/10, 0.4/12bar

Air supply must be dry enough to avoid ice formation at temperatures below +2°C (+35°F).

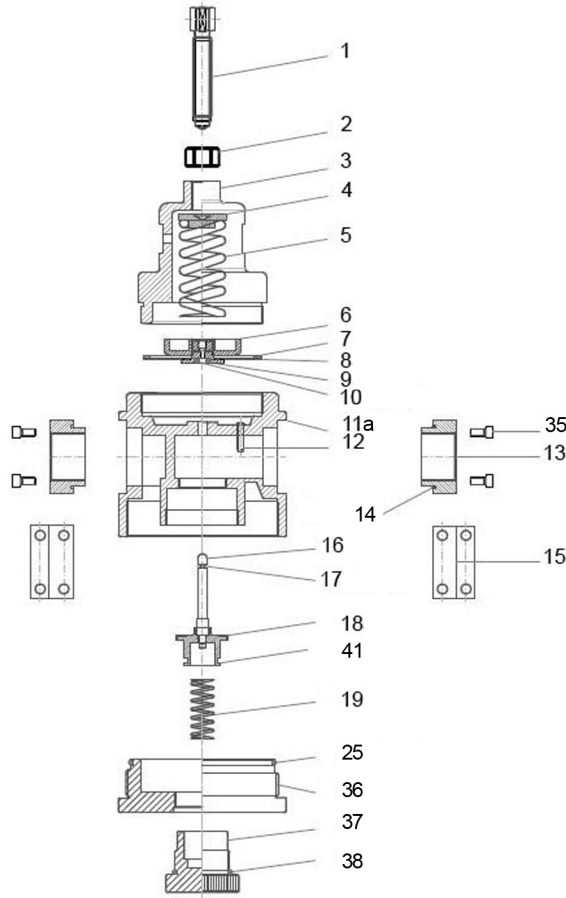
*Special version in HNBR (WT -55°C + 90°C)

It provides excellent regulation and for a wide range of applications. Rugged and corrosion-resistant – made of 316L stainless steel / Permette un'accurata regolazione per una vasta gamma di applicazioni. Robusto e resistente alla corrosione – Costruito in acciaio inossidabile 316L

BUILDING MATERIALS	Materiali costruttivi
Body, bonnet, end plate in AISI 316/316L stainless steel	Corpo, coperchio, piastra inferiore acciaio inossidabile AISI316/316L
Internals, adjustment screw, bracket, lock and panel nuts, fixing screws in stainless steel	Parti interne, vite di regolazione, staffa, dadi di bloccaggio e pannello, viti di fissaggio in acciaio inossidabile
Diaphragm & seals in elastomer	Diaframma e guarnizioni in elastomero

Product exploded view

Esploso del prodotto

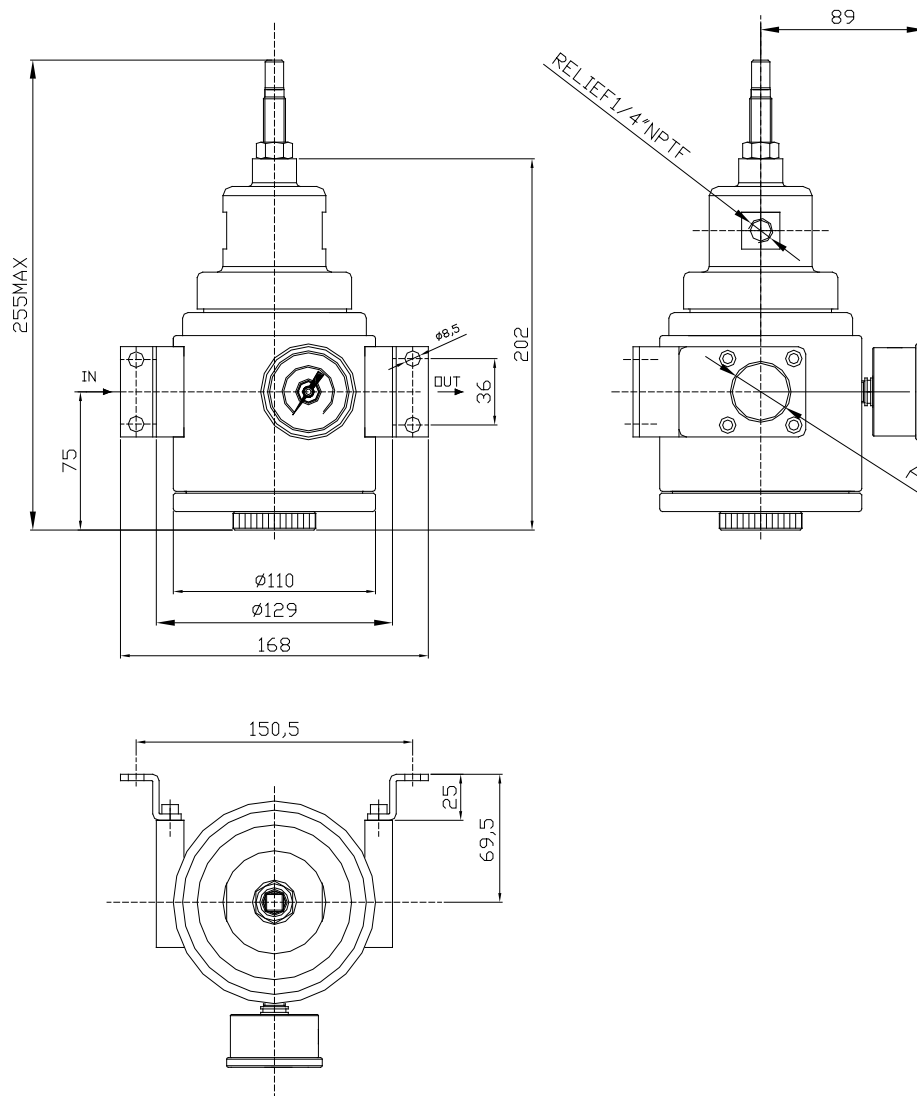


Pos.	Q.ty	Description	Descrizione
1	1	ADJUSTMENT SCREW	VITE DI REGOLAZIONE
2	1	LOCK ADJUSTMENT NUT	DADO FISSAGGIO REGOLAZIONE
3	1	BONNET	TAZZA SUPERIORE
4	1	UPPER SPRING SEAT	SEDE SUPERIORE MOLLA
5	1	ADJUSTMENT SPRING	MOLLA DI REGOLAZIONE
6	1	LOWER SPRING RESET	RESET INFERIORE MOLLA
7	1	SLIP RING	SLIP RING
8	1	DIAPHRAGM	SEDE VALVOLA
9	1	VALVE SEAT	CORPO
10	1	O'RING (ONLY FOR RELIEVING)	O'RING (SOLO PER RELIEVING)
11a	1	BODY	CORPO
12	1	SIPHON	SIFONE
13	2	CONNECTION	TERMINALI FILETTATI
14	2	O'RING	O'RING
15	2	BRACKET	STAFFA
16	1	VALVE STEAM	COPRO VALVOLA
17	1	O'RING	O'RING
18	1	VALVE	VALVOLA
19	1	VALVE SPRING	MOLLA VALVOLA
35	8	SCREW M5x16 DIN 912 A2	VITI M5X16
36	1	REGULATOR BOTTOM	PIATTELLO
37	1	REGULATOR VALVE SEAT	SEDE VALVOLA
38	1	O'RING	O'RING
41	1	O'RING VALVE	O'RING VALVE

BT-R16SS/C20B

Overall dimension

Dimensioni di ingombro



R12 A = 3/4"

R16 A = 1"

Accessories and repair kit

Accessori e ricambi

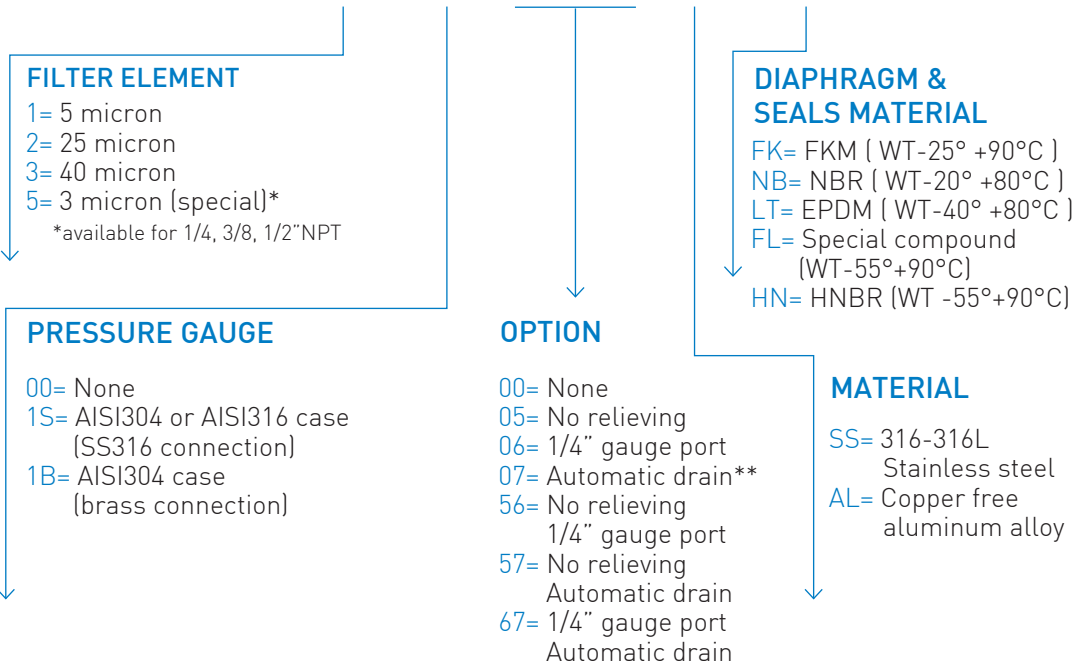
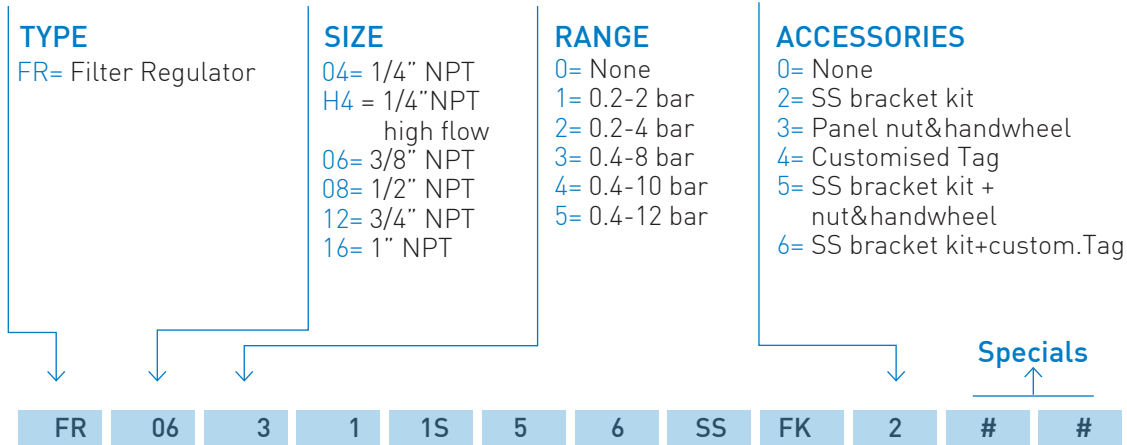
Maintenance kit / Kit manutenzione	Items K-R16-0-SS-** [1"]
Pressure gauge DN40mm, SS case, Bar+psi+kpa range / Manometro DN40mm, tutto inox, scala Bar+psi+kpa	0-2,5 bar MBS6P4S2PN04 0-4bar MBS6P4S2PN05 0-10bar MBS6P4S2PN07
Bracket / Staffa	SQ-FR16
Anti-tamper kit / Kit anti-manomissione	KTAM04-08

** Refers to seals type: FK→FKM NB→NBR LT→EPDM FL→FVMQ HN→HNBR

Ordering information - Filter regulators

Come ordinare - Filtri regolatori

www.sitecna.eu



CODE EXAMPLES

FR	08	3	3	1S	0	7	SS	FK	2	
----	----	---	---	----	---	---	----	----	---	--

1/2"NPT, SS316, 0 to 8 bar range, filter regulator, with 40 micron filtering element, relieving, SS pressure gauge, automatic drain, ss bracket kit and FKM diaphragm & seals
Filtro regolatore da 1/2"NPT in AISI316, range regolato 0/8 bar, elemento filtrante da 40 micron, manometro tutto inox, relieving, scarico condensa automatico, staffa inox, diaframma e tenute in FKM

FR	06	3	1	00	0	0	SS	FK	0	
----	----	---	---	----	---	---	----	----	---	--

3/8"NPT, SS316, 0 to 8 bar range, filter regulator, with 5 micron filtering element, relieving and FKM diaphragm & seals

Filtro regolatore da 3/8"NPT in AISI316, range regolato 0/8 bar, elemento filtrante da 5 micron, relieving, diaframma e tenute in FKM

**** Note for automatic drain: use not recommended for T<2°C (under this T the moisture in the medium could freeze and cause drain malfunction or breaking) / Nota per scarico automatico: uso non raccomandato per T<2°C (sotto questa T la condensa può ghiacciare e causare malfunzionamenti o rotture).**

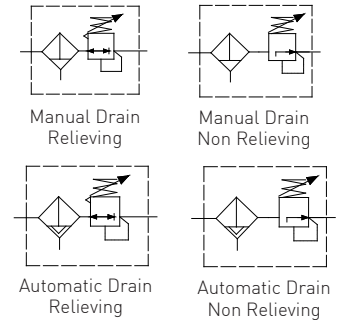
01-FR/20A

Copper free aluminum alloy 1/4"NPT filter regulator – FR serie

Filtro Regolatore da 1/4"NPT in lega di alluminio esente rame – serie FR

www.sitecna.eu

- Suitable for automation equipment to onshore, offshore, pharmaceutical, medical and food applications
- Full material traceability
- Excellent stability and repeatability
- Accurate adjustment and high flow capacity
- ATEX 2014/34/UE II 2G Ex h IIC T6/T5 Gb X
II 2D Ex h IIIC T85°C/T100°C Db X
- & approved / IP66 / SIL - IEC 61508



- Adatto per automazione in applicazioni marine, petrolchimiche, farmaceutiche, medicali e alimentari
- Completa rintracciabilità dei materiali
- Eccellente stabilità e ripetibilità
- Precise regolazioni ed elevate portate
- ATEX 2014/34/UE II 2G Ex h IIC T6/T5 Gb X
II 2D Ex h IIIC T85°C/T100°C Db X
- Approvato ed / IP66 / SIL - IEC 61508

Media / Fluido	Compressed air, inert gases, sweet and sour gases
Port thread / Conessioni	1/4"NPT
Gauge Connection Connessione manometro	1/8"NPT (1/4"NPT option)
Max inlet pressure Pressione massima di ingresso	25bar (16bar automatic drain version)
Filtering element Elemento filtrante	3, 5, 25, 40 micron in st. st. 316
Drain valve / Scarico condensa	Manual or automatic
Flow Rate (@10 bar inlet, 6bar regulated, delta P=1bar)/ Portata	940dm ³ /min Cv=0.9
Working Temperature Temperatura di esercizio	-20°C up to 80°C (NBR); -25°C up to 90°C (FKM); -40°C up to 80°C (EPDM); -55° up tp 90°C (FVMQ)*
Regulated pressure Pressioni regolate	0.2/2, 0.2/4, 0.4/8, 0.4/10, 0.4/12bar

Air supply must be dry enough to avoid ice formation at temperatures below +2°C (+35°F).

*Special version in HNBR (WT -55°C + 90°C)

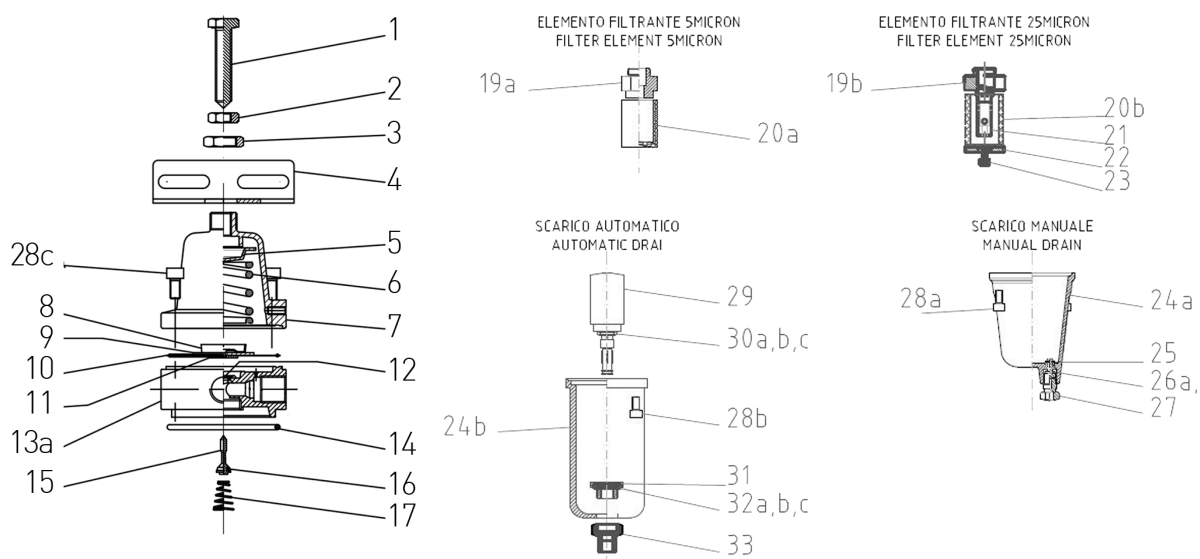
It provides excellent regulation and filtering for a wide range of applications. Rugged and corrosion-resistant – made of aluminum alloy and SS AISI304/316. Compact small package size / Permette un'accurata regolazione e filtraggio per una vasta gamma di applicazioni. Robusto e resistente alla corrosione – Costruito lega di alluminio ed AISI316 - Dimensioni di ingombro ridotte

BUILDING MATERIALS	Materiali costruttivi
Body, bonnet, bowl in tropicalized copper free aluminum alloy	Corpo, coperchio, tazza in lega di alluminio esente rame tropicalizzata
Internals, bracket, lock and panel nuts, fixing screws in stainless steel	Vite di regolazione, staffa, dadi di bloccaggio e pannello, viti di fissaggio in acciaio inossidabile
3, 5, 25 & 40 micron filtering element in AISI316 SS	Elementi filtranti da 3, 5, 25 e 40micron in AISI316
Diaphragm & seals in elastomer	Diaframma e guarnizioni in elastomero

BT-FR04AL/C20A

Product exploded view

Esploso del prodotto



Pos.	Q.ty	Description	Descrizione
1	1	ADJUSTMENT SCREW	VITE DI REGOLAZIONE
2	1	LOCK ADJUSTMENT NUT	DADO FISSAGGIO REGOLAZIONE
3	1	BRACKET NUT	VITE DI REGOLAZIONE
4a	1	BRACKET FR/R	DADO FISSAGGIO REGOLAZIONE
5	1	UPPER SPRING SEAT	SEDE SUPERIORE MOLLA
6	1	ADJUSTMENT SPRING	MOLLA DI REGOLAZIONE
7	1	BONNET	TAZZA SUPERIORE
8	1	LOWER SPRING GUIDE	GUIDA INFERIORE MOLLA
9	1	LOWER SPRING RESET	RESET INFERIORE MOLLA
10	1	DIAPHRAGM	DIAFRAMMA
11	1	VALVE SEAT	SEDE VALVOLA
12	1	PTFE RING	ANELLO PTFE
13a	1	FR BODY	CORPO
14	1	O-RING	O-RING
15	1	VALVE STEAM	CORPO VALVOLA
16	1	O-RING VALVE STEAM	O-RING VALVE STEAM
17	1	VALVE SPRING	MOLLA VALVOLA
19a	1	FILTER ELEMENT SUPPORT 5mic	SUPPORTO ELE. FILTRANTE 5 MIC
19b	1	FILTER ELEMENT SUPPORT 25mic	SUPPORTO ELE. FILTRANTE 25 MIC
20a	1	FILTER ELEMENT 5 MICRON	ELEMENTO FILTRANTE 5 MIC
20b	1	FILTER ELEMENT 25 MICRON	ELEMENTO FILTRANTE 25 MIC
21	1	FILTER ELEMENT SUPPORT	SUPPORTO ELE. FILTRANTE
22	1	FILTER ELEMENT CASEBACK	BASE ELEMENTO FILTRANTE
23	1	SCREW M4X6	VITI M4X6
24a	1	MANUAL DRAIN BOLW	TAZZA SCARICO MANUALE
24b	1	AUTOMATIC DRAIN BOLW	TAZZA SCARICO AUTOMATICO
25	1	BENZIN	ANELLO BENZIN
26	1	O-RING DRAIN	O-RING DRAIN
27	1	MANUAL DRAIN	SCARICO MANUALE
28a	4	SCREW MAN. DRAIN M5X10	VITI SCARICO MANUALE M5X10
28b	4	SCREW AUTO DRAIN M5X16	VITI SCARICO AUTO M5X16
28c	4	BONNET SCREW M5X10	VITI TAZZA SUPERIORE M5X10
29	1	AUTOMATIC DRAIN	SCARICO AUTOMATICO
30	1	O-RING AUTO DRAIN	O-RING SCARICO AUTO
31	1	AUTOMATIC DRAIN SEAT	SEDE SCARICO AUTOMATICO
32	1	O-RING AUTOM. DRAIN	O-RING SCARICO AUTO
33	1	AUTOMATIC DRAIN SEAT	SEDE SCARICO AUTOMATICO

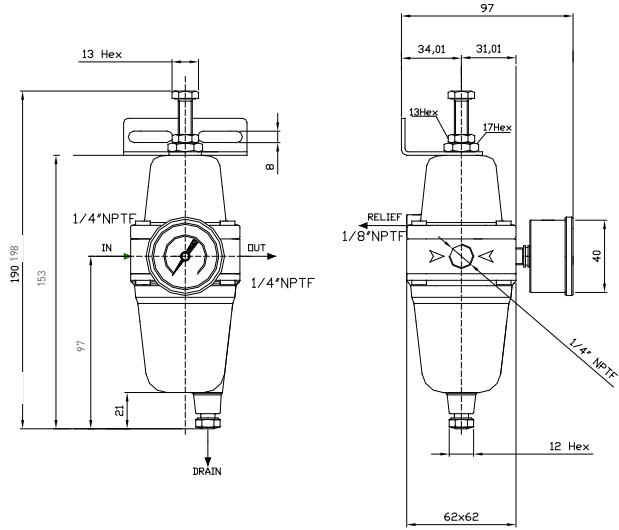
www.sitecna.eu

Overall dimension

Dimensioni di ingombro

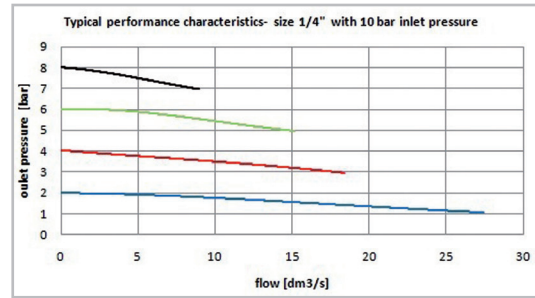
Manual drain

Scarico manuale



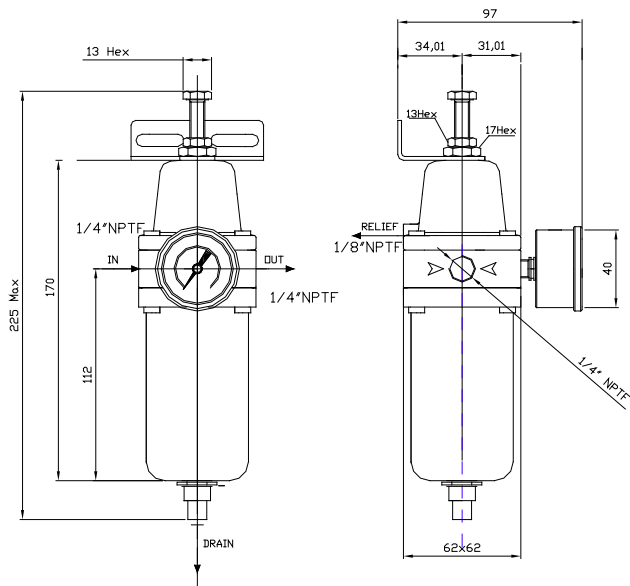
Flow characteristics

Caratteristiche di portata



Automatic drain

Scarico automatico



Note for automatic drain:

- max inlet pressure 16bar
- not recommended for T<2°C

Nota per scarico automatico:

- massima pressione di utilizzo 16bar
- non raccomandato per T<2°C

Accessories and repair kit

Accessori e ricambi

Maintenance kit / Kit manutenzione [1/4"]	Items K-FR04- *-AL- **
Pressure gauge DN40mm, SS case, Bar+psi+kpa range / Manometro DN40mm, cassa inox, scala Bar+psi+kpa	0-2bar MBSNP4S2PN3S 0-4bar MBSNP4S2PN05 0-10bar MBSNP4S2PN07
Bracket and lock nut / Staffa e Dado	SQ-FR04
Anti-tamper kit / Kit anti-manomissione	KTAM04-08


* Refers to filter element option: 1→5 micron; 2→25 micron; 3→40 micron; 5→3 micron


** Refers to seals type: FK→FKM NB→NBR LT→EPDM FL→FVMQ HN→HNBR

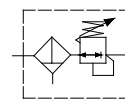
BT-FR04ALC20C

Copper free aluminum alloy 1/4"NPT high flow filter regulator – FRH serie

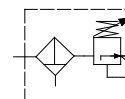
Filtro Regolatore ad alta portata da 1/4"NPT in lega di alluminio esente rame – serie FR

- Suitable for automation equipment to onshore, offshore, pharmaceutical, medical and food applications
- Full material traceability
- Excellent stability and repeatability
- Accurate adjustment and high flow capacity
- ATEX 2014/34/UE  II 2G Ex h IIC T6/T5 Gb X
II 2D Ex h IIIC T85°C/T100°C DbX

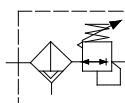
- Adatto per automazione in applicazioni marine, petrolchimiche, farmaceutiche, medicali e alimentari
- Completa rintracciabilità dei materiali
- Eccellente stabilità e ripetibilità
- Precise regolazioni ed elevate portate
- ATEX 2014/34/UE  II 2G Ex h IIC T6/T5 Gb X
II 2D Ex h IIIC T85°C/T100°C Db X



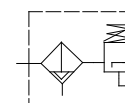
Manual Drain Relieving



Manual Drain Non Relieving



Automatic Drain Relieving



Automatic Drain Non Relieving

Media / Fluido	Compressed air, inert gases, sweet and sour gases
Port thread / Connessioni	1/4"NPT
Gauge Connection Connessione manometro	1/8"NPT (1/4"NPT option)
Max inlet pressure Pressione massima di ingresso	25bar (16bar automatic drain version)
Filtering element Elemento filtrante	3, 5, 25, 40 micron in st. st. 316
Drain valve / Scarico condensa	Manual or automatic
Flow Rate (@10 bar inlet, 6bar regulated, delta P=1bar)/ Portata	1200dm ³ /min Cv=1.2
Working Temperature Temperatura di esercizio	-20°C up to 80°C (NBR); -25°C up to 90°C (FKM); -40°C up to 80°C (EPDM); -55° up tp 90°C (FVMQ)*
Regulated pressure Pressioni regolate	0.2/2, 0.2/4, 0.4/8, 0.4/10, 0.4/12bar

Air supply must be dry enough to avoid ice formation at temperatures below +2°C (+35°F).

*Special version in HNBR (WT -55°C + 90°C)

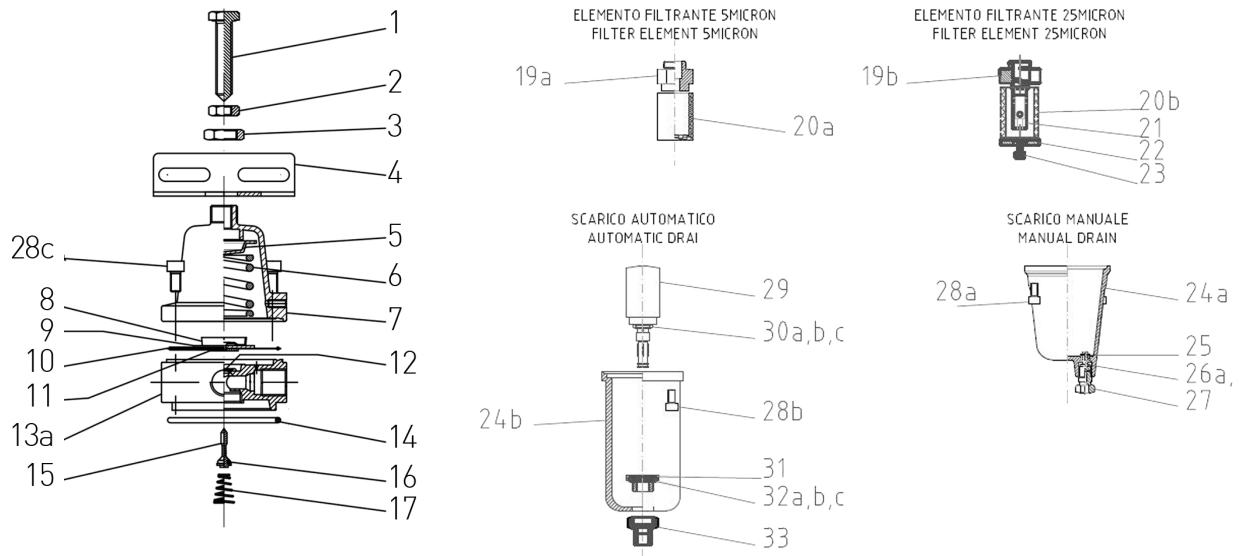
It provides excellent regulation and filtering for a wide range of applications. Rugged and corrosion-resistant – made of aluminum alloy and SS AISI304/316. Compact small package size / Permette un'accurata regolazione e filtraggio per una vasta gamma di applicazioni. Robusto e resistente alla corrosione – Costruito lega di alluminio ed AISI316 - Dimensioni di ingombro ridotte

BUILDING MATERIALS	Materiali costruttivi
Body, bonnet, bowl in tropicalized copper free aluminum alloy	Corpo, coperchio, tazza in lega di alluminio esente rame tropicalizzata
Internals, bracket, lock and panel nuts, fixing screws in stainless steel	Vite di regolazione, staffa, dadi di bloccaggio e pannello, viti di fissaggio in acciaio inossidabile
5, 25 & 40 micron filtering element in AISI316 SS	Elementi filtranti da 5, 25 e 40micron in AISI316
Diaphragm & seals in elastomer	Diaframma e guarnizioni in elastomero

Product exploded view

Esploso del prodotto

www.sitecna.eu



Pos.	Q.ty	Description	Descrizione
1	1	ADJUSTMENT SCREW	VITE DI REGOLAZIONE
2	1	LOCK ADJUSTMENT NUT	DADO FISSAGGIO REGOLAZIONE
3	1	BRACKET NUT	VITE DI REGOLAZIONE
4a	1	BRACKET FR/R	DADO FISSAGGIO REGOLAZIONE
5	1	UPPER SPRING SEAT	SEDE SUPERIORE MOLLA
6	1	ADJUSTMENT SPRING	MOLLA DI REGOLAZIONE
7	1	BONNET	TAZZA SUPERIORE
8	1	LOWER SPRING GUIDE	GUIDA INFERIORE MOLLA
9	1	LOWER SPRING RESET	RESET INFERIORE MOLLA
10	1	DIAPHRAGM	DIAFRAMMA
11	1	VALVE SEAT	SEDE VALVOLA
12	1	PTFE RING	ANELLO PTFE
13a	1	FR BODY	CORPO
14	1	O-RING	O-RING
15	1	VALVE STEAM	CORPO VALVOLA
16	1	O-RING VALVE STEAM	O-RING VALVE STEAM
17	1	VALVE SPRING	MOLLA VALVOLA
19a	1	FILTER ELEMENT SUPPORT 5mic	SUPPORTO ELE. FILTRANTE 5 MIC
19b	1	FILTER ELEMENT SUPPORT 25mic	SUPPORTO ELE. FILTRANTE 25 MIC
20a	1	FILTER ELEMENT 5 MICRON	ELEMENTO FILTRANTE 5 MIC
20b	1	FILTER ELEMENT 25 MICRON	ELEMENTO FILTRANTE 25 MIC
21	1	FILTER ELEMENT SUPPORT	SUPPORTO ELE. FILTRANTE
22	1	FILTER ELEMENT CASEBACK	BASE ELEMENTO FILTRANTE
23	1	SCREW M4X6	VITI M4X6
24a	1	MANUAL DRAIN BOLW	TAZZA SCARICO MANUALE
24b	1	AUTOMATIC DRAIN BOLW	TAZZA SCARICO AUTOMATICO
25	1	BENZIN	ANELLO BENZIN
26	1	O-RING DRAIN	O-RING DRAIN
27	1	MANUAL DRAIN	SCARICO MANUALE
28a	4	SCREW MAN. DRAIN M5X10	VITI SCARICO MANUALE M5X10
28b	4	SCREW AUTO DRAIN M5X16	VITI SCARICO AUTO M5X16
28c	4	BONNET SCREW M5X10	VITI TAZZA SUPERIORE M5X10
29	1	AUTOMATIC DRAIN	SCARICO AUTOMATICO
30	1	O-RING AUTO DRAIN	O-RING SCARICO AUTO
31	1	AUTOMATIC DRAIN SEAT	SEDE SCARICO AUTOMATICO
32	1	O-RING AUTOM. DRAIN	O-RING SCARICO AUTO
33	1	AUTOMATIC DRAIN SEAT	SEDE SCARICO AUTOMATICO

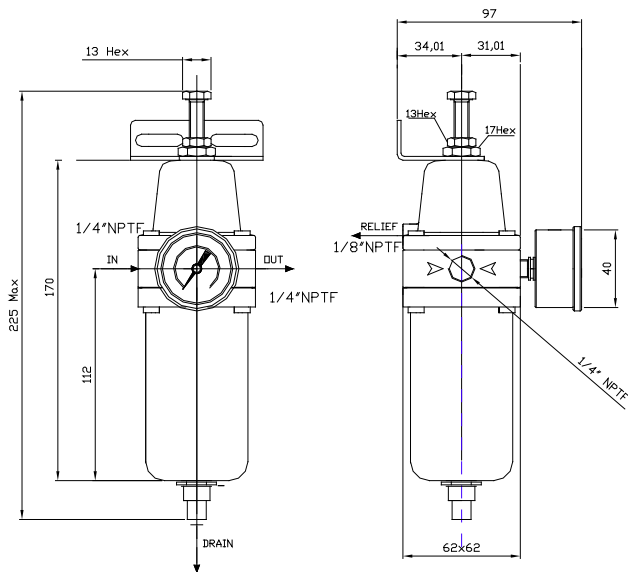
BT-FR4AL/C20B

Overall dimension

Dimensioni di ingombro

Automatic drain

Scarico automatico

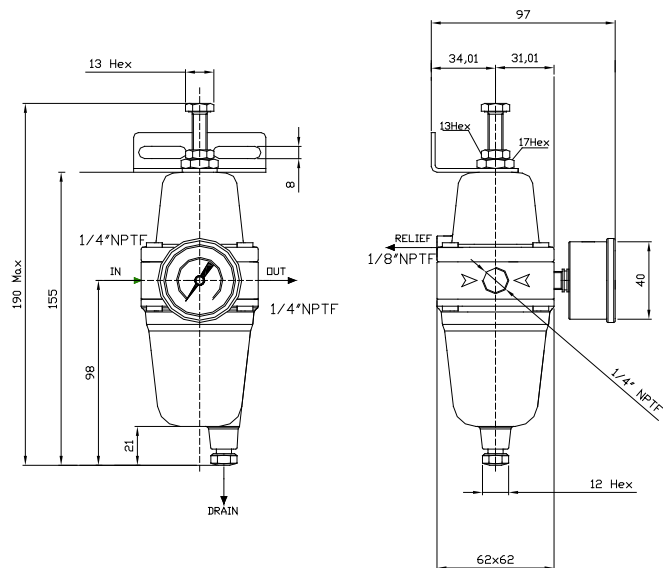


Note for automatic drain:
 - max inlet pressure 16bar
 - not recommended for $T < 2^{\circ}\text{C}$

Nota per scarico automatico:
 - massima pressione di utilizzo 16bar
 - non raccomandato per $T < 2^{\circ}\text{C}$

Manual drain

Scarico manuale



Accessories and repair kit

Accessori e ricambi

Maintenance kit / Kit manutenzione [1/4"]	Items K-FRH4-* -AL- **
Pressure gauge DN40mm, SS case, Bar+psi+kpa range / Manometro DN40mm, cassa inox, scala Bar+psi+kpa	0-2bar MBSNP4S2PN3S 0-4bar MBSNP4S2PN05 0-10bar MBSNP4S2PN07
Bracket / Staffa	SQ-FR04
Anti-tamper kit / Kit anti-manomissione	KTAM04-08

* Refers to filter element option: 1→5 micron; 2→25 micron ; 3→40 micron; 5→3 micron

** Refers to seals type: FK→FKM NB→NBR LT→EPDM FL→FVMQ HN→HNBR

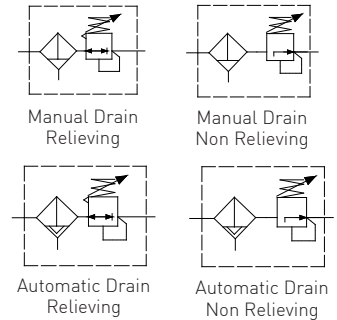
Copper free aluminum alloy 3/8", 1/2"NPT high flow filter regulator – FR serie

Filtro Regolatore da 3/8" e 1/2"NPT in lega di alluminio esente rame – serie FR

www.sitecna.eu

- Suitable for automation equipment to onshore, offshore, pharmaceutical, medical and food applications
- Full material traceability
- Excellent stability and repeatability
- Accurate adjustment and high flow capacity
- ATEX 2014/34/UE II 2G E xh IIC T6/T5 Gb X
II 2D Ex h IIIC T85°C/T100°C Db X
- & approved / IP66 / SIL - IEC 61508

- Adatto per automazione in applicazioni marine, petrolchimiche, farmaceutiche, medicali e alimentari
- Completa rintracciabilità dei materiali
- Eccellente stabilità e ripetibilità
- Precise regolazioni ed elevate portate
- ATEX 2014/34/UE II 2G Ex h IIC T6/T5 Gb X
II 2D Ex h IIIC T85°C/T100°C Db X
- Approvato ed / IP66 / SIL - IEC 61508



Media / Fluido	Compressed air, inert gases, sweet and sour gases
Port thread / Conessioni	3/8"-1/2"NPT
Gauge Connection Connessione manometro	1/8"NPT (1/4"NPT option)
Filtering element Elemento filtrante	3, 5, 25, 40 micron in st. st. 316
Max inlet pressure / Pressione massima di ingresso	25bar (16bar automatic drain version)
Drain valve/ Scarico condensa	Manual or automatic
Flow rate (@10bar inlet, 6bar regulated, delta P=1bar)/ Portata	4500dm ³ /min Cv=4.5
Working temperature / Temperatura di esercizio	-20°C up to 80°C (NBR); -25°C up to 90°C (FKM); -40°C up to 80°C (EPDM); -55° up tp 90°C (FVMQ)*
Regulated pressure Pressioni regolate	0.2/2, 0.2/4, 0.4/8, 0.4/10, 0.4/12bar

Air supply must be dry enough to avoid ice formation at temperatures below +2°C (+35°F).

*Special version in HNBR (WT -55°C + 90°C)

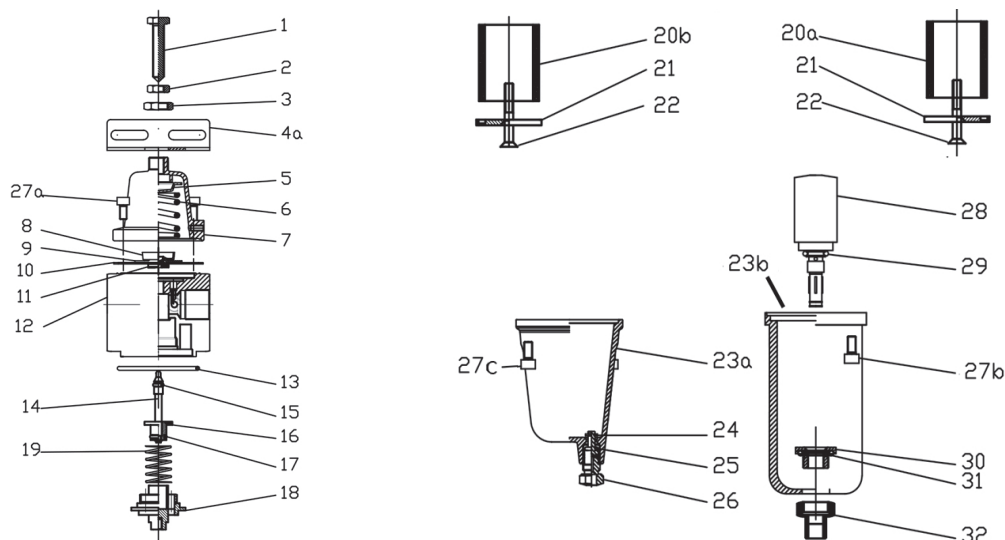
It provides excellent regulation and filtering for a wide range of applications. Rugged and corrosion-resistant – made of aluminum alloy and SS AISI304/316. Compact small package size / Permette un'accurata regolazione e filtraggio per una vasta gamma di applicazioni. Robusto e resistente alla corrosione – Costruito lega di alluminio ed AISI316 - Dimensioni di ingombro ridotte

BUILDING MATERIALS	Materiali costruttivi
Body, bonnet, bowl in tropicalized copper free aluminum alloy	Corpo, coperchio, tazza in lega di alluminio esente rame tropicalizzata
Internals, bracket, lock and panel nuts, fixing screws in stainless steel	Vite di regolazione, staffa, dadi di bloccaggio e pannello, viti di fissaggio in acciaio inossidabile
3, 5, 25 & 40 micron filtering element in AISI316 SS	Elementi filtranti da 3, 5, 25 e 40micron in AISI316
Diaphragm & seals in elastomer	Diaframma e guarnizioni in elastomero

BT-FR08AL/20A

Product exploded view

Esploso del prodotto



Pos.	Q.ty	Description	Descrizione
1	1	ADJUSTMENT SCREW	VITE DI REGOLAZIONE
2	1	LOCK ADJUSTMENT NUT	DADO FISSAGGIO REGOLAZIONE
3	1	BRACKET NUT	DADO STAFFA
4a	1	BRACKET	STAFFA
5	1	UPPER SPRING SEAT	SEDE SUPERIORE MOLLA
6	1	ADJUSTMENT SPRING	MOLLA DI REGOLAZIONE
7	1	BONNET	TAZZA SUPERIORE
8	1	LOWER SPRING GUIDE	GUIDA INFERIORE MOLLA
9	1	LOWER SPRING RESET	RESET INFERIORE MOLLA
10	1	DIAPHRAGM	DIAFRAMMA
11	1	VALVE SEAT	SEDE VALVOLA
12	1	BODY	CORPO
13	1	O-RING	O-RING
14	1	VALVE STEAM	CORPO VALVOLA
15	1	O-RING VALVE STEAM	O-RING VALVE STEAM
16	1	VALVE	VALVOLA
17	1	O-RING VALVE	O-RING VALVOLA
18	1	FILTER ELEMENT SUPPORT	SUPPORTO ELE. FILTRANTE
19	1	VALVE SPRING	MOLLA VALVOLA
20a	1	FILTER ELEMENT 5 MICRON	ELEMENTO FILTRANTE 5 MIC
20b	1	FILTER ELEMENT 25 MICRON	ELEMENTO FILTRANTE 25 MIC
21	1	FILTER ELEMENT PLUG	FONDELLO ELEMNTE FILTRANTE
22	1	SCREW M5X30	VITE M5X30
23a	1	MANUAL DRAIN BOLW	TAZZA SCARICO MANUALE
23b	1	AUTOMATIC DRAIN BOLW	TAZZA SCARICO AUTOMATICO
24	1	BENZIN	ANELLO BENZIN
25	1	O-RING DRAIN	O-RING DRAIN
26	1	MANUAL DRAIN	SCARICO MANUALE
27a	4	SCREW M5X10	VITI M5X10
27b	4	SCREW AUTO DRAIN M5X16	VITI SCARICO AUTO M5X16
27c	4	SCREW MAN DRAIN M5X10	VITI SCARICO MANUALE M5X10
28	1	AUTOMATIC DRAIN	SCARICO AUTOMATICO
29	1	O-RING AUTO DRAIN	O-RING SCARICO AUTO
30	1	AUTOMATIC DRAIN SEAT	SEDE SCARICO AUTOMATICO
31	1	O-RING AUTO DRAIN	O-RING SCARICO AUTO
32	1	AUTOMATIC DRAIN SEAT	SEDE SCARICO AUTOMATICO

Overall dimension

Dimensioni di ingombro

FR06 A = 3/8"

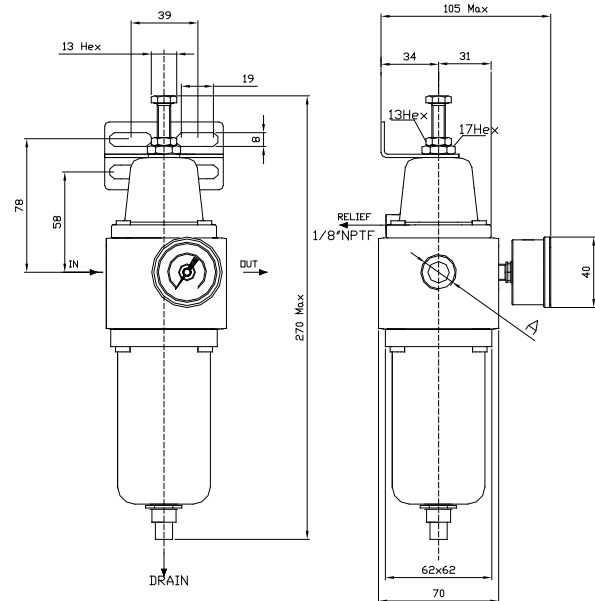
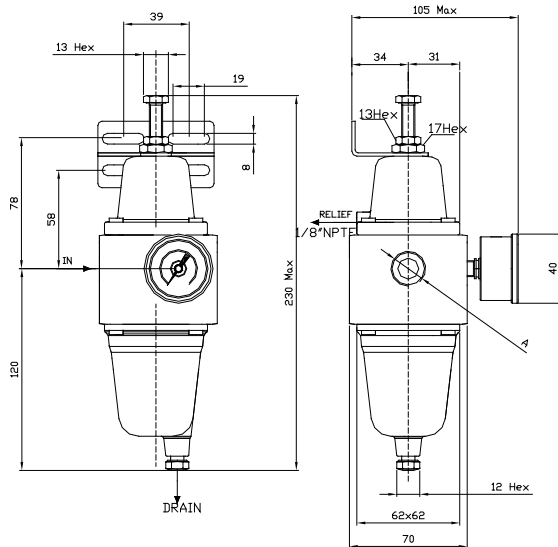
FR08 A = 1/2"

Manual drain

Scarico manuale

Automatic drain

Scarico automatico

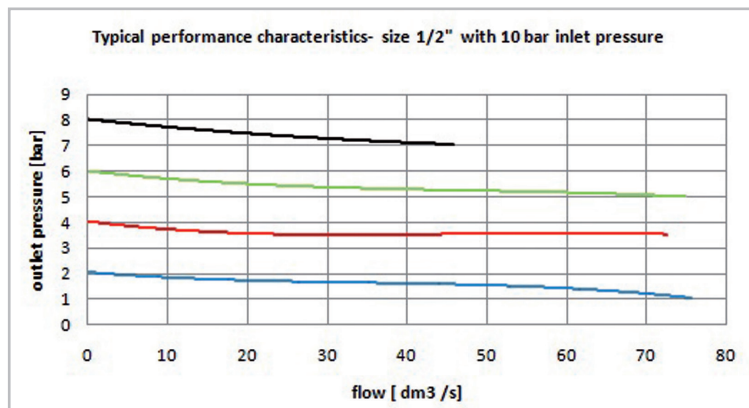


Flow characteristics

Caratteristiche di portata

Note for automatic drain:
 - max inlet pressure 16bar
 - not recommended for T<2°C

Nota per scarico automatico:
 - massima pressione di utilizzo 16bar
 - non raccomandato per T<2°C



Accessories and repair kit

Accessori e ricambi

Maintenance kit / Kit manutenzione	Items K-FR08-*-AL-** [1/2"]
Pressure gauge DN40mm, SS case, Bar+psi+kpa range / Manometro DN40mm, cassa inox, scala Bar+psi+kpa	0-2bar MBSNP4S2PN3S 0-4bar MBSNP4S2PN05 0-10bar MBSNP4S2PN07
Bracket /Staffa	SQ-FR04
Anti-tamper kit / Kit anti-manomissione	KTAM04-08





* Refers to filter element option: 1→5 micron; 2→25 micron; 3→40 micron; 5→3 micron





** Refers to seals type: FK→FKM NB→NBR LT→EPDM FL→FVMQ HN→HNBR

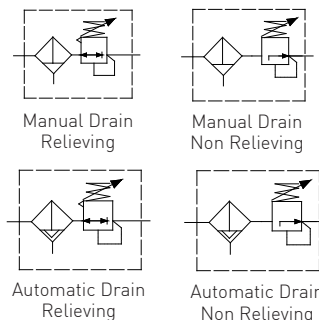
BT-FR08AL/C20C

Copper free aluminum alloy 3/4"-1"NPT filter regulator – FR serie

Filtro regolatore da 3/4"- 1"NPT in lega di alluminio esente rame- serie FR

- Suitable for automation equipment to onshore, offshore, pharmaceutical, medical and food applications
- Full material traceability
- Excellent stability and repeatability
- Accurate adjustment and high flow capacity
- ATEX 2014/34/UE  II 2G Ex h IIC T6/T5 Gb X
II 2D Ex h IIIC T85°C/T100°C Db X
-  &  approved / IP66 / SIL - IEC 61508 

- Adatto per automazione in applicazioni marine, petrolchimiche, farmaceutiche, medicali e alimentari
- Completa rintracciabilità dei materiali
- Eccellente stabilità e ripetibilità
- Precise regolazioni ed elevate portate
- ATEX 2014/34/UE  II 2G Ex h IIC T6/T5 Gb X
II 2D Ex h IIIC T85°C/T100°C Db X
- Approvato  ed  / IP66 / SIL - IEC 61508 



Media / Fluido	Compressed air, inert gases, sweet and sour gases
Port thread / Connessioni	3/4"-1" NPT
Gauge Connection Connessione manometro	1/4"NPT (1/8"NPT option)
Filtering element Elemento filtrante	5, 25, 40 micron in st. st. 316
Max inlet pressure / Pressione massima di ingresso	25bar (16bar automatic drain version)
Drain valve/ Scarico condensa	Manual or automatic
Flow rate (@10bar inlet, 6bar regulated, delta P=1bar) / Portata	11500dm ³ /min Cv=11.5
Working temperature / Temperatura di esercizio	-20°C up to 80°C (NBR); -25°C up to 90°C (FKM); -40°C up to 80°C (EPDM); -55° up to 90°C (FVMQ)*
Regulated pressure Pressioni regolate	0.2/2, 0.2/4, 0.4/8, 0.4/10, 0.4/12bar

Air supply must be dry enough to avoid ice formation at temperatures below +2°C (+35°F).

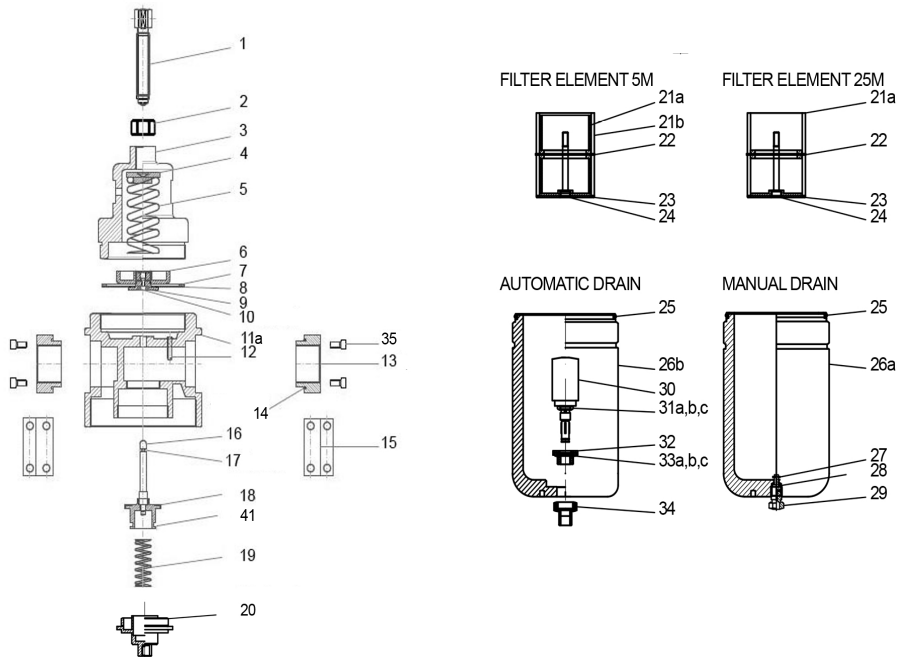
*Special version in HNBR (WT -55°C + 90°C)

It provides excellent regulation and filtering for a wide range of applications. Rugged and corrosion-resistant – made of aluminum alloy and SS AISI304/316 / Permette un'accurata regolazione e filtraggio per una vasta gamma di applicazioni. Robusto e resistente alla corrosione – Costruito lega di alluminio ed AISI316

BUILDING MATERIALS	Materiali costruttivi
Body, bonnet, bowl in tropicalized copper free aluminum alloy	Corpo, coperchio, tazza in lega di alluminio esente rame tropicalizzata
Internals, bracket, lock and panel nuts, fixing screws in stainless steel	Vite di regolazione, staffa, dadi di bloccaggio e pannello, viti di fissaggio in acciaio inossidabile
5, 25 & 40 micron filtering element in AISI316 SS	Elementi filtranti da 5, 25 e 40micron in AISI316
Diaphragm & seals in elastomer	Diaframma e guarnizioni in elastomero

Product exploded view
Esploso del prodotto

www.sitecna.eu



Pos.	Q.ty	Description	Descrizione
1	1	ADJUSTMENT SCREW	VITE DI REGOLAZIONE
2	1	LOCK ADJUSTMENT NUT	DADO FISSAGGIO REGOLAZIONE
3	1	BONNET	TAZZA SUPERIORE
4	1	UPPER SPRING SEAT	SEDE SUPERIORE MOLLA
5	1	ADJUSTMENT SPRING	MOLLA DI REGOLAZIONE
6	1	LOWER SPRING RESET	RESET INFERIORE MOLLA
7	1	SLIP RING	SLIP RING
8	1	DIAPHRAGM	DIAFRAMMA
9	1	VALVE SEAT	SEDE VALVOLA
10	1	O'RING (ONLY FOR RELIEVING)	O'RING (SOLO PER RELIEVING)
11a	1	BODY	CORPO
12	1	SIPHON	SIFONE
13	2	CONNECTION	TERMINALI FILETTATI
14	2	O'RING	O'RING
15	2	BRACKET	STAFFA
16	1	VALVE STEAM	CORPO VALVOLA
17	1	O'RING	O'RING
18	1	VALVE	VALVOLA
19	1	VALVE SPRING	MOLLA VALVOLA
20	1	FILTER ELEMENT SUPPORT	SUPPORTO ELE. FILTRANTE
21a	2	FILTER ELEMENT 5 MICRON	ELEMENTO FILTRANTE 5 MIC
21b	2	FILTER ELEMENT 25 MICRON	ELEMENTO FILTRANTE 25 MIC
22	1	FILTER ELEMENT RING	ANELLO ELEMENTO FILTRANTE
23	1	FILTER ELEMENT PLUG	FONDELLO ELEMENTO FILTRANTE
24	1	FILTER ELEMENT SCREW	VITE ELEMENTO FILTRANTE
25	1	O'RING BOWL	O'RING TAZZA
26a	1	MANUAL DRAIN BOWL	TAZZA SCARICO MANUALE
26b	1	AUTOMATIC DRAIN BOWL	TAZZA SCARICO AUTOMATICO
27	1	BENZIN	ANELLO BENZIN
28	1	O'RING DRAIN	O'RING DRAIN
29	1	MANUAL DRAIN	SCARICO MANUALE
30	1	AUTOMATIC DRAIN	SCARICO AUTOMATICO
31	1	O'RING AUTO DRAIN	O'RING SCARICO AUTO
32	1	AUTOMATIC DRAIN SEAT	SEDE SCARICO AUTOMATICO
33	1	O'RING AUTO DRAIN	O'RING SCARICO AUTO
34	1	AUTOMATIC DRAIN SEAT	SEDE SCARICO AUTOMATICO
35	8	SCREW M5x16 DIN 912 A2	VITI M5X16
41	1	O'RING VALVE	O'RING

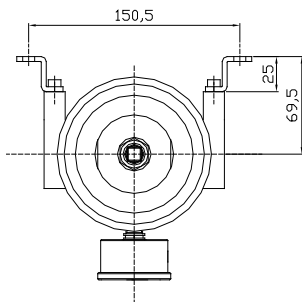
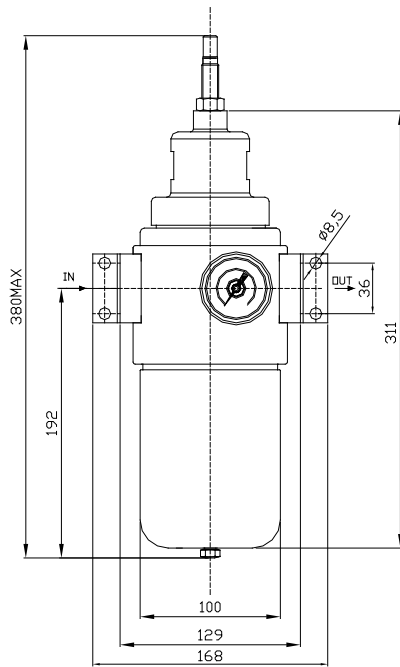
BT-FR16AL/C20B

Overall dimension

Dimensioni di ingombro

Manual drain

Scarico manuale

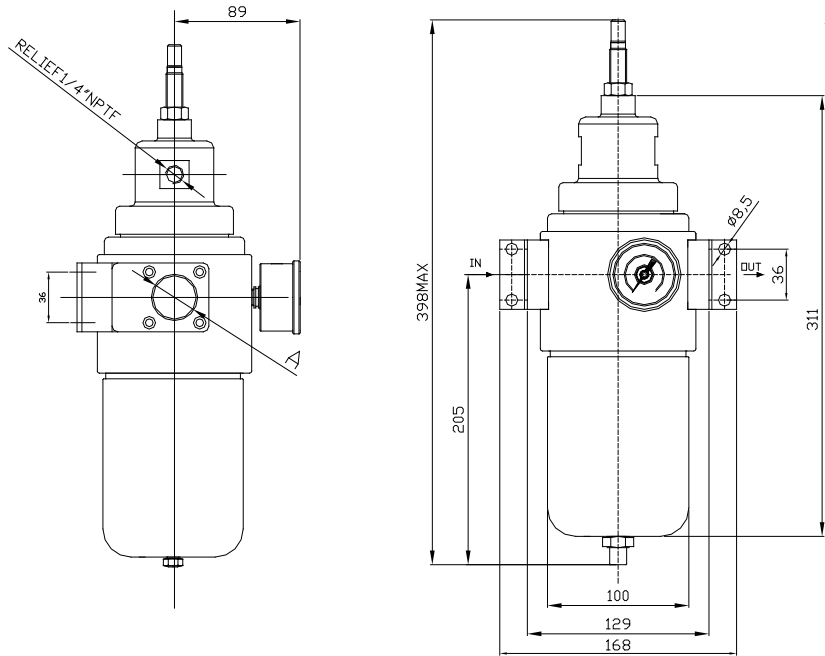


FR12 A = 3/4"

FR16 A = 1"

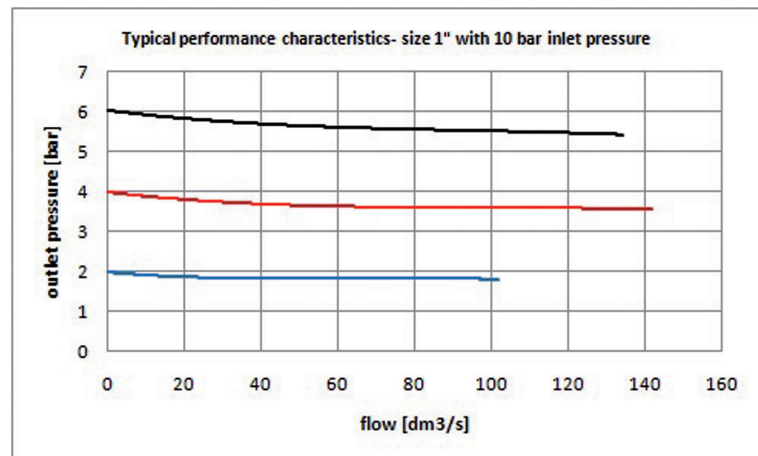
Automatic drain

Scarico automatico



Note for automatic drain / Nota per scarico automatico:

- max inlet pressure 16bar / massima pressione di utilizzo 16bar
- not recommended for $T < 2^{\circ}\text{C}$ / non raccomandato per $T < 2^{\circ}\text{C}$



Accessories and repair kit

Accessori e ricambi

Maintenance kit / Kit manutenzione	Items K-FR12-*-AL-** [3/4"] K-F216-*-AL-** [1"]
Pressure gauge DN40mm, SS case, Bar+psi+kpa range / Manometro DN40mm, cassa inox, scala Bar+psi+kpa	0-2bar MBSNP4S2PN3S 0-4bar MBSNP4S2PN05 0-10bar MBSNP4S2PN07
Bracket / Staffa	SQ-FR16
Anti-tamper kit / Kit anti-manomissione	KTAM04-08

* Refers to filter element option: 1→5 micron 2→25 micron 3→40 micron

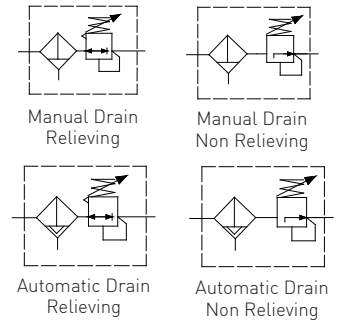
** Refers to seals type: FK→FKM NB→NBR LT→EPDM FL→FVMQ HN→HNBR

AISI316L 1/4"NPT instrument filter regulator – FR serie

Filtro regolatore da 1/4"NPT in AISI316L – serie FR

www.sitecna.eu

- Suitable for automation equipment to onshore, offshore, pharmaceutical, medical and food applications
- Full material traceability
- Excellent stability and repeatability
- Accurate adjustment and high flow capacity
- ATEX 2014/34/UE II 2G Ex h IIC T6/T5 Gb X
II 2D Ex h IIIC T85°C/T100°C Db X
- & approved / IP66 / SIL - IEC 61508



- Adatto per automazione in applicazioni marine petrolchimiche, farmaceutiche, medicali e alimentari
- Completa rintracciabilità dei materiali
- Eccellente stabilità e ripetibilità
- Precise regolazioni ed elevate portate
- ATEX 2014/34/UE II 2G Ex h IIC T6/T5 Gb X
II 2D Ex h IIIC T85°C/T100°C Db X
- Approvato ed / IP66 / SIL - IEC 61508

Media / Fluido	Compressed air, inert gases, sweet and sour gases
Port thread / Connessioni	1/4"NPT
Gauge Connection Connessione manometro	1/8"NPT (1/4"NPT option)
Filtering element Elemento filtrante	3, 5, 25, 40 micron in st. st. 316
Max inlet pressure Pressione massima di ingresso	30bar (16bar automatic drain version)
Drain valve / Scarico condensa	Manual or automatic
Flow Rate (@10bar inlet, 6bar regulated, delta P=1bar)/ Portata	940dm³/min Cv=0.9
Working Temperature Temperatura di esercizio	-20°C up to 80°C (NBR); -25°C up to 90°C (FKM); -40°C up to 80°C (EPDM); -55° up tp 90°C (FVMQ)*
Regulated pressure Pressioni regolate	0.2/2, 0.2/4, 0.4/8, 0.4/10, 0.4/12bar

Air supply must be dry enough to avoid ice formation at temperatures below +2°C (+35°F).

***Special version in HNBR (WT -55°C + 90°C)**

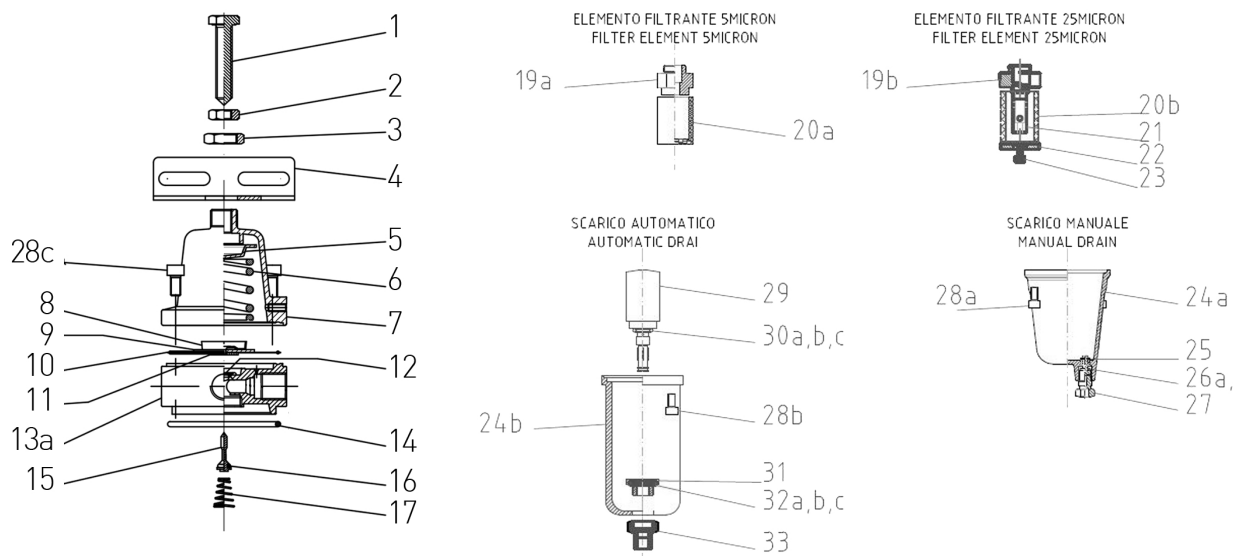
It provides excellent regulation and filtering for a wide range of applications. Rugged and corrosion-resistant – made of 316L stainless steel -Compact small package size – light weight
 Permette un'accurata regolazione e filtraggio per una vasta gamma di applicazioni. Robusto e resistente alla corrosione – Costruito AISI316L - Dimensioni di ingombro ridotte – Leggero

BUILDING MATERIALS	Materiali costruttivi
Body, bonnet, bowl in AISI 316/316L stainless steel	Corpo, coperchio, tazza in acciaio inossidabile AISI316/316L
Internals, bracket, lock and panel nuts, fixing screws in stainless steel	Vite di regolazione, staffa, dadi di bloccaggio e pannello, viti di fissaggio in acciaio inossidabile
3, 5, 25 & 40micron filtering element in AISI316 SS	Elementi filtranti da 3, 5, 25 e 40micron in AISI316
Diaphragm & seals in elastomer	Diaframma e guarnizioni in elastomero

BT-FR04SS/C20A

Product exploded view

Esploso del prodotto



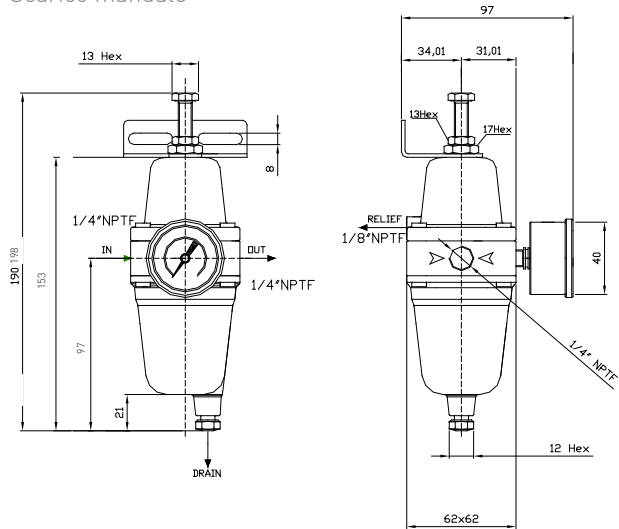
Pos.	Q.ty	Description	Descrizione
1	1	ADJUSTMENT SCREW	VITE DI REGOLAZIONE
2	1	LOCK ADJUSTMENT NUT	DADO FISSAGGIO REGOLAZIONE
3	1	BRACKET NUT	VITE DI REGOLAZIONE
4a	1	BRACKET FR/R	DADO FISSAGGIO REGOLAZIONE
5	1	UPPER SPRING SEAT	SEDE SUPERIORE MOLLA
6	1	ADJUSTMENT SPRING	MOLLA DI REGOLAZIONE
7	1	BONNET	TAZZA SUPERIORE
8	1	LOWER SPRING GUIDE	GUIDA INFERIORE MOLLA
9	1	LOWER SPRING RESET	RESET INFERIORE MOLLA
10	1	DIAPHRAGM	DIAFRAMMA
11	1	VALVE SEAT	SEDE VALVOLA
12	1	PTFE RING	ANELLO PTFE
13a	1	FR BODY	CORPO
14	1	O-RING	O-RING
15	1	VALVE STEAM	CORPO VALVOLA
16	1	O-RING VALVE STEAM	O-RING VALVE STEAM
17	1	VALVE SPRING	MOLLA VALVOLA
19a	1	FILTER ELEMENT SUPPORT 5mic	SUPPORTO ELE. FILTRANTE 5 MIC
19b	1	FILTER ELEMENT SUPPORT 25mic	SUPPORTO ELE. FILTRANTE 25 MIC
20a	1	FILTER ELEMENT 5 MICRON	ELEMENTO FILTRANTE 5 MIC
20b	1	FILTER ELEMENT 25 MICRON	ELEMENTO FILTRANTE 25 MIC
21	1	FILTER ELEMENT SUPPORT	SUPPORTO ELE. FILTRANTE
22	1	FILTER ELEMENT CASEBACK	BASE ELEMENTO FILTRANTE
23	1	SCREW M4X6	VITI M4X6
24a	1	MANUAL DRAIN BOLW	TAZZA SCARICO MANUALE
24b	1	AUTOMATIC DRAIN BOLW	TAZZA SCARICO AUTOMATICO
25	1	BENZIN	ANELLO BENZIN
26	1	O-RING DRAIN	O-RING DRAIN
27	1	MANUAL DRAIN	SCARICO MANUALE
28a	4	SCREW MAN. DRAIN M5X10	VITI SCARICO MANUALE M5X10
28b	4	SCREW AUTO DRAIN M5X16	VITI SCARICO AUTO M5X16
28c	4	BONNET SCREW M5X10	VITI TAZZA SUPERIORE M5X10
29	1	AUTOMATIC DRAIN	SCARICO AUTOMATICO
30	1	O-RING AUTO DRAIN	O-RING SCARICO AUTO
31	1	AUTOMATIC DRAIN SEAT	SEDE SCARICO AUTOMATICO
32	1	O-RING AUTOM. DRAIN	O-RING SCARICO AUTO
33	1	AUTOMATIC DRAIN SEAT	SEDE SCARICO AUTOMATICO

Overall dimension

Dimensioni di ingombro

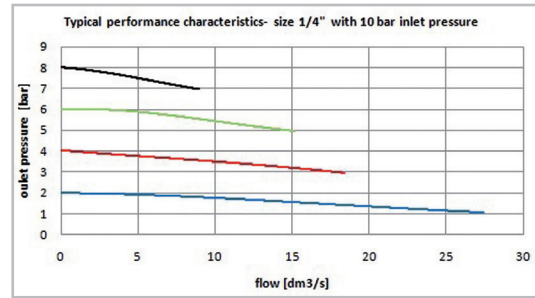
Manual drain

Scarico manuale



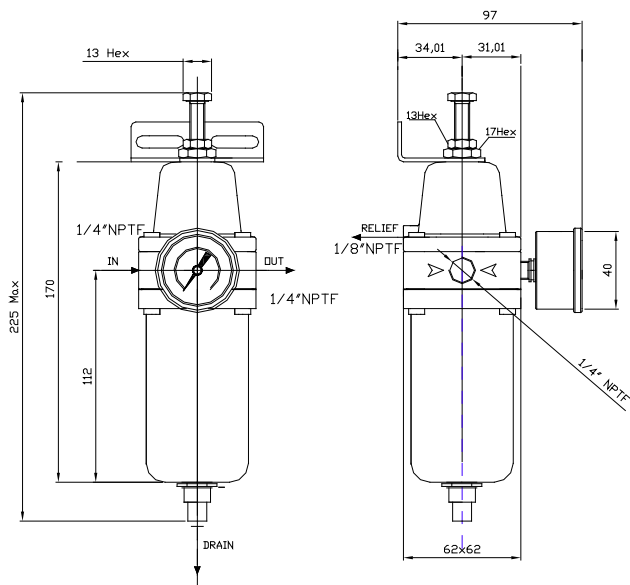
Flow characteristics

Caratteristiche di portata



Automatic drain

Scarico automatico



Note for automatic drain:

- max inlet pressure 16bar
- not recommended for T<2°C

Nota per scarico automatico:

- massima pressione di utilizzo 16bar
- non raccomandato per T<2°C

Accessories and repair kit

Accessori e ricambi


Maintenance kit / Kit manutenzione	Items K-FR04-* -SS -** [1/4"]
Pressure gauge DN40mm, all SS, Bar+psi+kpa range / Manometro DN40mm, tutto inox, scala Bar+psi+kpa	0-2,5 bar MBS6P4S2PN04 0-4bar MBS6P4S2PN05 0-10bar MBS6P4S2PN07
Bracket / Staffa	SQ-FR04
Anti-tamper kit / Kit anti-manomissione	KTAM04-08


* Refers to filter element option: 1→5 micron; 2→25 micron; 3→40 micron; 5→3 micron

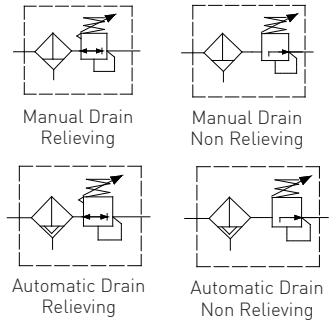
** Refers to seals type: FK→FKM NB→NBR LT→EPDM FL→FVMQ HN→HNBR

AISI316L 1/4" NPT high flow filter regulator – FRH serie

Filtro regolatore ad alta portata da 1/4" NPT in AISI316L – serie FR

- Suitable for automation equipment to onshore, offshore, pharmaceutical, medical and food applications
- Full material traceability
- Excellent stability and repeatability
- Accurate adjustment and high flow capacity
- ATEX 2014/34/UE  II 2G Ex h IIC T6/T5 Gb X
II 2D Ex h IIIC T85°C/T100°C Db X

- Adatto per automazione in applicazioni marine, petrolchimiche, farmaceutiche, medicali e alimentari
- Completa rintracciabilità dei materiali
- Eccellente stabilità e ripetibilità
- Precise regolazioni ed elevate portate
- ATEX 2014/34/UE  II 2G Exh IIC T6/T5 Gb X
II 2D Ex h IIIC T85°C/T100°C Db X



Media / Fluido	Compressed air, inert gases, sweet and sour gases
Port thread / Connessioni	1/4" NPT
Gauge Connection Connessione manometro	1/8" NPT (1/4" NPT option)
Filtering element Elemento filtrante	3, 5, 25, 40 micron in st. st. 316
Max inlet pressure Pressione massima di ingresso	30bar (16bar automatic drain version)
Drain valve / Scarico condensa	Manual or automatic
Flow Rate (@10bar inlet, 6bar regulated, delta P=1bar)/ Portata	1200dm ³ /min Cv=1.2
Working Temperature Temperatura di esercizio	-20°C up to 80°C (NBR); -25°C up to 90°C (FKM); -40°C up to 80°C (EPDM); -55° up tp 90°C (FVMQ)*
Regulated pressure Pressioni regolate	0.2/2, 0.2/4, 0.4/8, 0.4/10, 0.4/12bar

Air supply must be dry enough to avoid ice formation at temperatures below +2°C (+35°F).

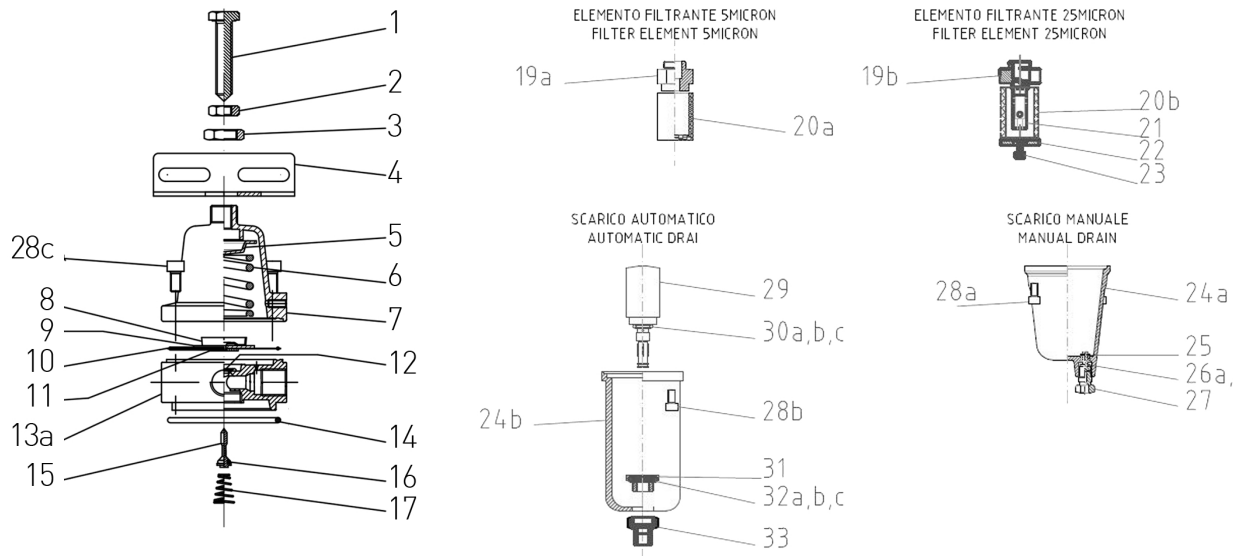
*Special version in HNBR (WT -55°C + 90°C)

It provides excellent regulation and filtering for a wide range of applications. Rugged and corrosion-resistant – made of 316L stainless steel -Compact small package size – light weight
Permette un'accurata regolazione e filtraggio per una vasta gamma di applicazioni. Robusto e resistente alla corrosione – Costruito AISI316L - Dimensioni di ingombro ridotte – Leggero

BUILDING MATERIALS	Materiali costruttivi
Body, bonnet, bowl in AISI 316/316L stainless steel	Corpo, coperchio, tazza in acciaio inossidabile AISI316/316L
Internals, bracket, lock and panel nuts, fixing screws in stainless steel	Vite di regolazione, staffa, dadi di bloccaggio e pannello, viti di fissaggio in acciaio inossidabile
3, 5, 25 & 40micron filtering element in AISI316 SS	Elementi filtranti da 3, 5, 25 e 40micron in AISI316
Diaphragm & seals in elastomer	Diaframma e guarnizioni in elastomero

Product exploded view
Esploso del prodotto

www.sitecna.eu



Pos.	Q.ty	Description	Descrizione
1	1	ADJUSTMENT SCREW	VITE DI REGOLAZIONE
2	1	LOCK ADJUSTMENT NUT	DADO FISSAGGIO REGOLAZIONE
3	1	BRACKET NUT	VITE DI REGOLAZIONE
4a	1	BRACKET FR/R	DADO FISSAGGIO REGOLAZIONE
5	1	UPPER SPRING SEAT	SEDE SUPERIORE MOLLA
6	1	ADJUSTMENT SPRING	MOLLA DI REGOLAZIONE
7	1	BONNET	TAZZA SUPERIORE
8	1	LOWER SPRING GUIDE	GUIDA INFERIORE MOLLA
9	1	LOWER SPRING RESET	RESET INFERIORE MOLLA
10	1	DIAPHRAGM	DIAFRAMMA
11	1	VALVE SEAT	SEDE VALVOLA
12	1	PTFE RING	ANELLO PTFE
13a	1	FR BODY	CORPO
14	1	O-RING	O-RING
15	1	VALVE STEAM	CORPO VALVOLA
16	1	O-RING VALVE STEAM	O-RING VALVE STEAM
17	1	VALVE SPRING	MOLLA VALVOLA
19a	1	FILTER ELEMENT SUPPORT 5mic	SUPPORTO ELE. FILTRANTE 5 MIC
19b	1	FILTER ELEMENT SUPPORT 25mic	SUPPORTO ELE. FILTRANTE 25 MIC
20a	1	FILTER ELEMENT 5 MICRON	ELEMENTO FILTRANTE 5 MIC
20b	1	FILTER ELEMENT 25 MICRON	ELEMENTO FILTRANTE 25 MIC
21	1	FILTER ELEMENT SUPPORT	SUPPORTO ELE. FILTRANTE
22	1	FILTER ELEMENT CASEBACK	BASE ELEMENTO FILTRANTE
23	1	SCREW M4X6	VITI M4X6
24a	1	MANUAL DRAIN BOLW	TAZZA SCARICO MANUALE
24b	1	AUTOMATIC DRAIN BOLW	TAZZA SCARICO AUTOMATICO
25	1	BENZIN	ANELLO BENZIN
26	1	O-RING DRAIN	O-RING DRAIN
27	1	MANUAL DRAIN	SCARICO MANUALE
28a	4	SCREW MAN. DRAIN M5X10	VITI SCARICO MANUALE M5X10
28b	4	SCREW AUTO DRAIN M5X16	VITI SCARICO AUTO M5X16
28c	4	BONNET SCREW M5X10	VITI TAZZA SUPERIORE M5X10
29	1	AUTOMATIC DRAIN	SCARICO AUTOMATICO
30	1	O-RING AUTO DRAIN	O-RING SCARICO AUTO
31	1	AUTOMATIC DRAIN SEAT	SEDE SCARICO AUTOMATICO
32	1	O-RING AUTOM. DRAIN	O-RING SCARICO AUTO
33	1	AUTOMATIC DRAIN SEAT	SEDE SCARICO AUTOMATICO

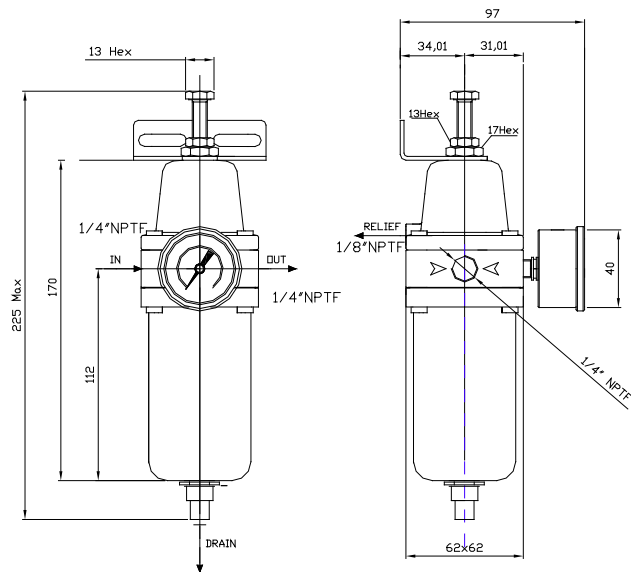
BT-FR4SS/C20B

Overall dimension

Dimensioni di ingombro

Automatic drain

Scarico automatico

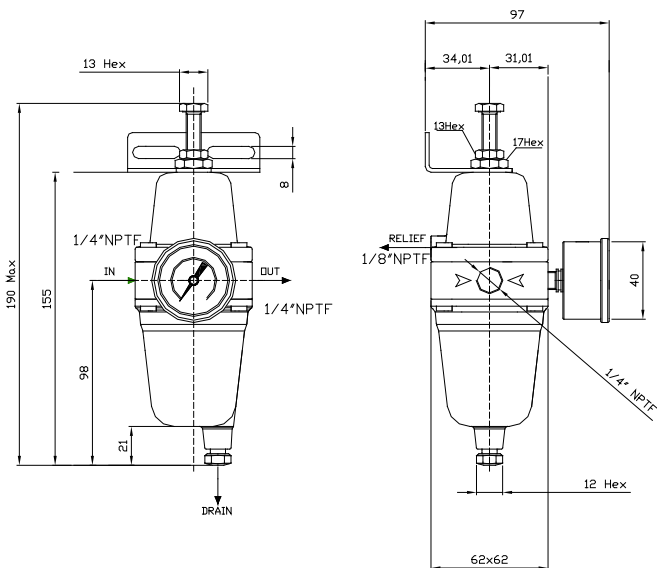


Manual drain

Scarico manuale

Note for automatic drain:
 - max inlet pressure 16bar
 - not recommended for $T < 2^{\circ}\text{C}$

Nota per scarico automatico:
 - massima pressione di utilizzo 16bar
 - non raccomandato per $T < 2^{\circ}\text{C}$



Accessories and repair kit

Accessori e ricambi

Maintenance kit / Kit manutenzione [1/4"]	Items K-FRH4-*_-SS-**
Pressure gauge DN40mm, all SS, Bar+psi+kpa range / Manometro DN40mm, tutto inox, scala Bar+psi+kpa	0-2,5 bar MBS6P4S2PN04 0-4bar MBS6P4S2PN05 0-10bar MBS6P4S2PN07
Bracket / Staffa	SQ-FR04
Anti-tamper kit / Kit anti-manomissione	KTAM04-08

* Refers to filter element option: 1→5 micron; 2→25 micron; 3→40 micron; 5→3 micron

** Refers to seals type: FK→FKM NB→NBR LT→EPDM FL→FVMQ HN→HNBR

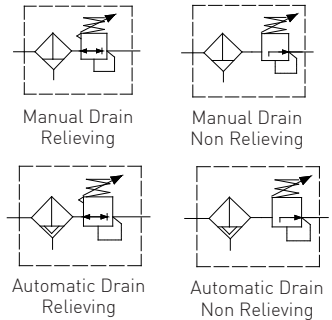
AISI316L 3/8"-1/2"NPT instrument filter regulator – FR serie

Filtro regolatore da 3/8" e 1/2"NPT in AISI316L – serie FR

www.sitecna.eu

- Suitable for automation equipment to onshore, offshore, pharmaceutical, medical and food applications
- Full material traceability
- Excellent stability and repeatability
- Accurate adjustment and high flow capacity
- ATEX 2014/34/UE II 2G Ex h IIC T6/T5 Gb X
II 2D Ex h IIIC T85°C/T100°C Db X
- & approved / IP66 / SIL - IEC 61508

- Adatto per automazione in applicazioni marine, petrolchimiche, farmaceutiche, medicali e alimentari
- Completa rintracciabilità dei materiali
- Eccellente stabilità e ripetibilità
- Precise regolazioni ed elevate portate
- ATEX 2014/34/UE II 2G Ex h IIC T6/T5 Gb X
II 2D Ex h IIIC T85°C/T100°C Db X
- Approvato ed / IP66 / SIL - IEC 61508



Media / Fluido	Compressed air, inert gases, sweet and sour gases
Port thread / Connessioni	3/8"-1/2"NPT
Gauge Connection Connessione manometro	1/8"NPT (1/4"NPT option)
Filtering element Elemento filtrante	3, 5, 25, 40 micron in st. st. 316
Max inlet pressure / Pressione massima di ingresso	30bar (16bar automatic drain version)
Drain valve/ Scarico condensa	Manual or automatic
Flow rate (@10bar inlet, 6bar regulated, delta P=1bar) / Portata	4500dm³/min Cv=4.5
Working temperature / Temperatura di esercizio	-20°C up to 80°C (NBR); -25°C up to 90°C (FKM); -40°C up to 80°C (EPDM); -55° up tp 90°C (FVMQ)*
Regulated pressure Pressioni regolate	0.2/2, 0.2/4, 0.4/8, 0.4/10, 0.4/12bar

Air supply must be dry enough to avoid ice formation at temperatures below +2°C (+35°F).

***Special version in HNBR (WT -55°C + 90°C)**

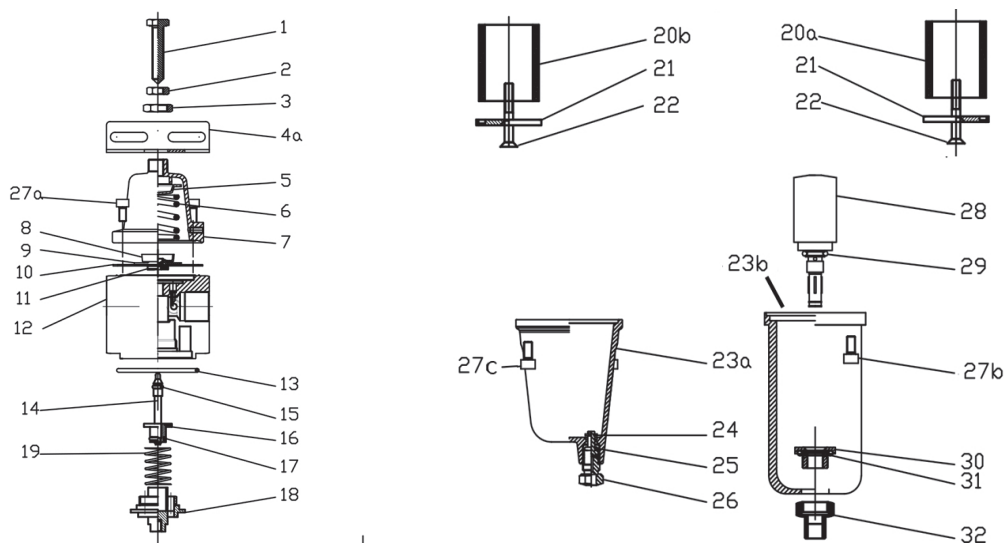
It provides excellent regulation and filtering for a wide range of applications. Rugged and corrosion-resistant – made of 316L stainless steel -Compact small package size – light weight / Permette un'accurata regolazione e filtraggio per una vasta gamma di applicazioni. Robusto e resistente alla corrosione – Costruito AISI316L - Dimensioni di ingombro ridotte – Leggero

BUILDING MATERIALS	Materiali costruttivi
Body, bonnet, bowl in AISI 316/316L stainless steel	Corpo, coperchio, tazza in acciaio inossidabile AISI316/316L
Internals, bracket, lock and panel nuts, fixing screws in stainless steel	Vite di regolazione, staffa, dadi di bloccaggio e pannello, viti di fissaggio in acciaio inossidabile
3, 5, 25 & 40 micron filtering element in AISI316 SS	Elementi filtranti da 3, 5, 25 e 40micron in AISI316
Diaphragm & seals in elastomer	Diaframma e guarnizioni in elastomero

BT-FR08SS/C20A

Product exploded view

Esploso del prodotto



Pos.	Q.ty	Description	Descrizione
1	1	ADJUSTMENT SCREW	VITE DI REGOLAZIONE
2	1	LOCK ADJUSTMENT NUT	DADO FISSAGGIO REGOLAZIONE
3	1	BRACKET NUT	DADO STAFFA
4a	1	BRACKET	STAFFA
5	1	UPPER SPRING SEAT	SEDE SUPERIORE MOLLA
6	1	ADJUSTMENT SPRING	MOLLA DI REGOLAZIONE
7	1	BONNET	TAZZA SUPERIORE
8	1	LOWER SPRING GUIDE	GUIDA MOLLA INFERIORE
9	1	LOWER SPRING RESET	RESET MOLLA INFERIORE
10	1	DIAPHRAGM	DIAFRAMMA
11	1	VALVE SEAT	SEDE VALVOLA
12	1	BODY	CORPO
13	1	O-RING	O-RING
14	1	VALVE STEAM	CORPO VALVOLA
15	1	O'RING VALVE STEAM	O'RING VALVE STEAM
16	1	VALVE	VALVOLA
17	1	O'RING VALVE	O'RING VALVOLA
18	1	FILTER ELEMENT SUPPORT	SUPPORTO ELE. FILTRANTE
19	1	VALVE SPRING	MOLLA VALVOLA
20a	1	FILTER ELEMENT 5 MICRON	SUPPORTO ELE. FILTRANTE 5 MIC
20b	1	FILTER ELEMENT 25 MICRON	SUPPORTO ELE. FILTRANTE 25 MIC
21	1	FILTER ELEMENT PLUG	FONDELLO ELEMNTE FILTRANTE
22	1	SCREW M5X30	VITE M5X30
23a	1	MANUAL DRAIN BOLW	TAZZA SCARICO MANUALE
23b	1	AUTOMATIC DRAIN BOLW	TAZZA SCARICO AUTOMATICO
24	1	BENZIN	ANELLO BENZIN
25	1	O'RING DRAIN	O'RING DRAIN
26	1	MANUAL DRAIN	SCARICO MANUALE
27a	4	SCREW M5X10	VITI M5X10
27b	4	SCREW AUTO DRAIN M5X16	VITI SCARICO AUTO M5X16
27c	4	SCREW MAN DRAIN M5X10	VITI SCARICO MANUALE M5X10
28	1	AUTOMATIC DRAIN	SCARICO AUTOMATICO
29	1	O'RING AUTO DRAIN	O'RING SCARICO AUTO
30	1	AUTOMATIC DRAIN SEAT	SEDE SCARICO AUTOMATICO
31	1	O'RING AUTO DRAIN	O'RING SCARICO AUTO
32	1	AUTOMATIC DRAIN SEAT	SEDE SCARICO AUTOMATICO

Overall dimension

Dimensioni di ingombro

FR06 A = 3/8"

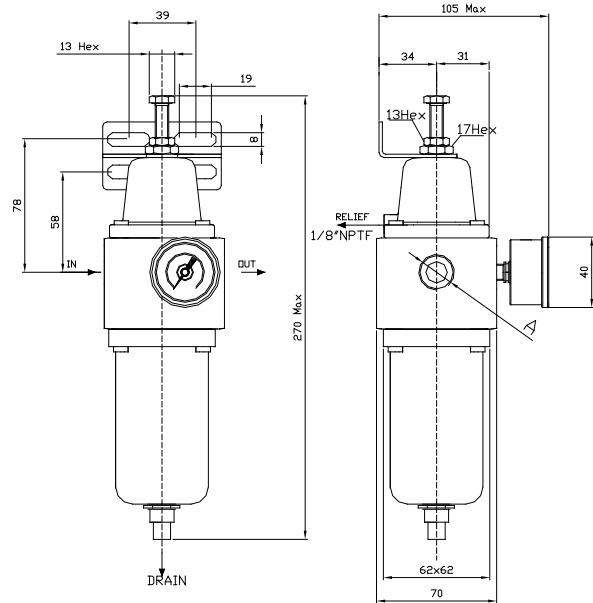
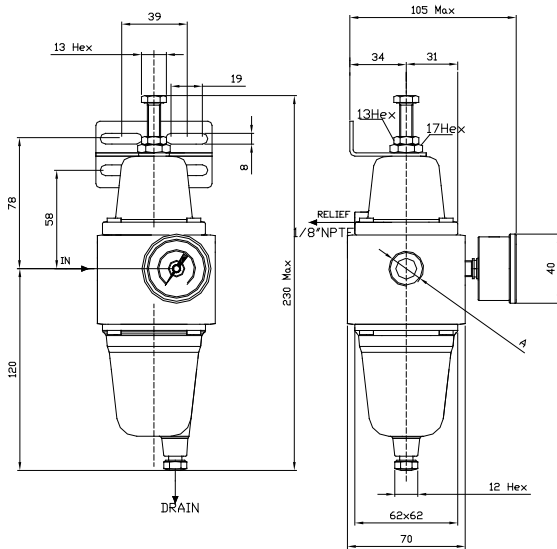
FR08 A = 1/2"

Manual drain

Scarico manuale

Automatic drain

Scarico automatico

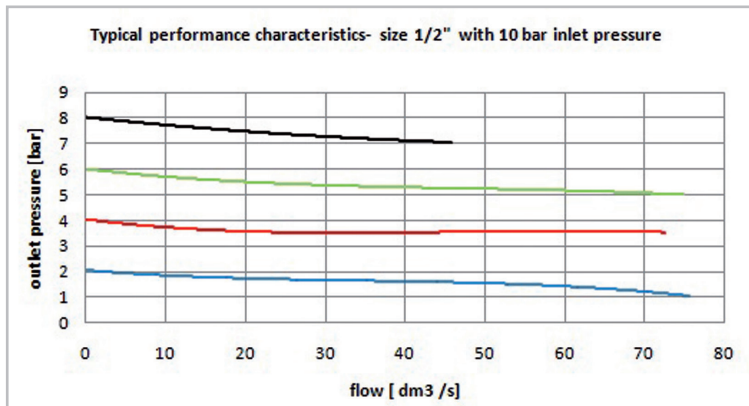


Flow characteristics

Caratteristiche di portata

Note for automatic drain:
 - max inlet pressure 16bar
 - not recommended for T<2°C

Nota per scarico automatico:
 - massima pressione di utilizzo 16bar
 - non raccomandato per T<2°C



Accessories and repair kit

Accessori e ricambi

Maintenance kit / Kit manutenzione	K-FR08-0-SS-**
Pressure gauge DN40mm, all inox, Bar+psi+kpa range / Manometro DN40mm, tutto inox, scala Bar+psi+kpa	0-2,5 bar MBS6P4S2PN04 0-4bar MBS6P4S2PN05 0-10bar MBS6P4S2PN07
Bracket /Staffa	SQ-FR04
Anti-tamper kit / Kit anti-manomissione	KTAM04-08





* Refers to filter element option: 1→5 micron 2→25 micron 3→40 micron 5→3 micron





** Refers to seals type: FK→FKM NB→NBR LT→EPDM FL→FVMQ HN→HNBR

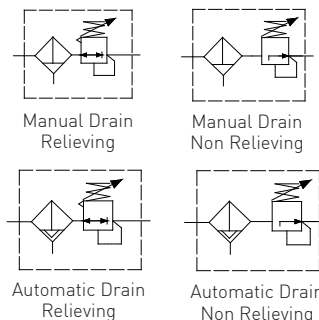
BT-FR08SS/C20C

AISI316L 3/4" - 1" NPT instrument filter regulator – FR serie

Filtro regolatore da 3/4" – 1" NPT in AISI316L – serie FR

- Suitable for automation equipment to onshore, offshore, pharmaceutical, medical and food applications
- Full material traceability
- Excellent stability and repeatability
- Accurate adjustment and high flow capacity
- ATEX 2014/34/UE  II 2G Ex h IIC T6/T5 Gb X
II 2D Ex h IIIC T85°C/T100°C Db X
-  &  approved / IP66 / SIL - IEC 61508 

- Adatto per automazione in applicazioni marine, petrolchimiche, farmaceutiche, medicali e alimentari
- Completa rintracciabilità dei materiali
- Eccellente stabilità e ripetibilità
- Precise regolazioni ed elevate portate
- ATEX 2014/34/UE  II 2G Ex h IIC T6/T5 Gb X
II 2D Ex h IIIC T85°C/T100°C Db X
- Approvato  ed  / IP66 / SIL - IEC 61508 



Media / Fluido	Compressed air, inert gases, sweet and sour gases
Port thread / Conessioni	3/4" - 1" NPT
Gauge Connection Connessione manometro	1/4" NPT (1/8" NPT option)
Filtering element Elemento filtrante	5, 25, 40 micron in st. st. 316
Max inlet pressure / Pressione massima di ingresso	30bar (16bar automatic drain version)
Drain valve/ Scarico condensa	Manual or automatic
Flow rate (@10bar inlet, 6bar regulated, delta P=1bar)/ Portata	11500dm ³ /min Cv=11.5
Working temperature / Temperatura di esercizio	-20°C up to 80°C (NBR); -25°C up to 90°C (FKM); -40°C up to 80°C (EPDM); -55° up to 90°C (FVMQ)*
Regulated pressure Pressioni regolate	0.2/2, 0.2/4, 0.4/8, 0.4/10, 0.4/12bar

Air supply must be dry enough to avoid ice formation at temperatures below +2°C (+35°F).

*Special version in HNBR (WT -55°C + 90°C)

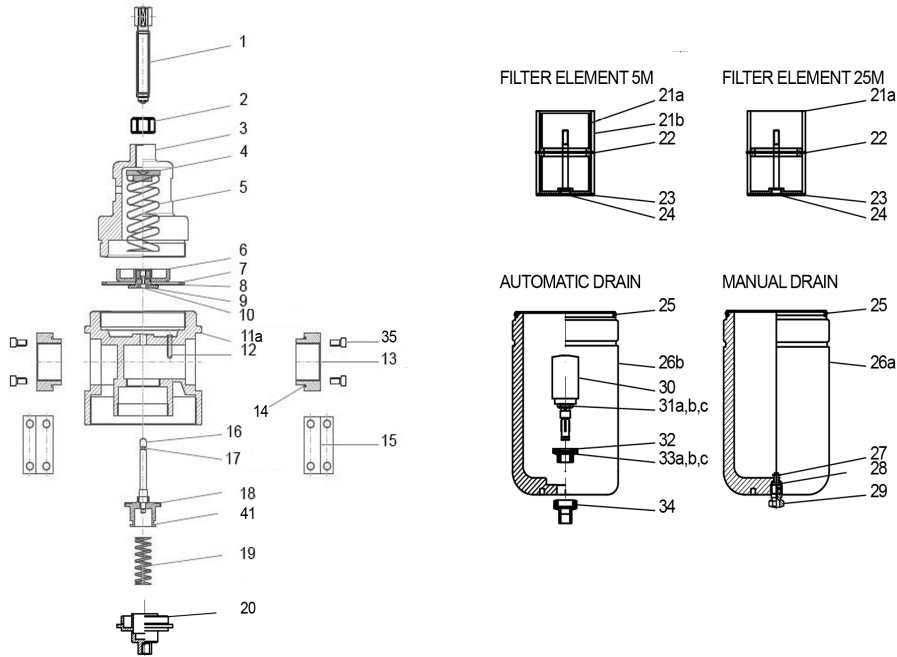
It provides excellent regulation and filtering for a wide range of applications. Rugged and corrosion-resistant – made of 316L stainless steel / Permette un'accurata regolazione e filtraggio per una vasta gamma di applicazioni. Robusto e resistente alla corrosione – costruito in acciaio inossidabile 316

BUILDING MATERIALS	Materiali costruttivi
Body, bonnet, bowl in AISI 316/316L stainless steel	Corpo, coperchio, tazza in acciaio inossidabile AISI316/316L
Internals, bracket, lock and panel nuts, fixing screws in stainless steel	Vite di regolazione, staffa, dadi di bloccaggio e pannello, viti di fissaggio in acciaio inossidabile
5, 25 & 40 micron filtering element in AISI316 SS	Elementi filtranti da 5, 25 e 40 micron in AISI316
Diaphragm & seals in elastomer	Diaframma e guarnizioni in elastomero

Product exploded view

Esploso del prodotto

www.sitecna.eu



Pos.	Q.ty	Description	Descrizione
1	1	ADJUSTMENT SCREW	VITE DI REGOLAZIONE
2	1	LOCK ADJUSTMENT NUT	DADO FISSAGGIO REGOLAZIONE
3	1	BONNET	TAZZA SUPERIORE
4	1	UPPER SPRING SEAT	SEDE SUPERIORE MOLLA
5	1	ADJUSTMENT SPRING	MOLLA DI REGOLAZIONE
6	1	LOWER SPRING RESET	RESET INFERIORE MOLLA
7	1	SLIP RING	SLIP RING
8	1	DIAPHRAGM	DIAFRAMMA
9	1	VALVE SEAT	SEDE VALVOLA
10	1	O'RING (ONLY FOR RELIEVING)	O'RING (SOLO PER RELIEVING)
11a	1	BODY	CORPO
12	1	SIPHON	SIFONE
13	2	CONNECTION	TERMINALI FILETTATI
14	2	O'RING	O'RING
15	2	BRACKET	STAFFA
16	1	VALVE STEAM	CORPO VALVOLA
17	1	O'RING	O'RING
18	1	VALVE	VALVOLA
19	1	VALVE SPRING	MOLLA VALVOLA
20	1	FILTER ELEMENT SUPPORT	SUPPORTO ELE. FILTRANTE
21a	2	FILTER ELEMENT 5 MICRON	ELEMENTO FILTRANTE 5 MIC
21b	2	FILTER ELEMENT 25 MICRON	ELEMENTO FILTRANTE 25 MIC
22	1	FILTER ELEMENT RING	ANELLO ELEMENTO FILTRANTE
23	1	FILTER ELEMENT PLUG	FONDELLO ELEMENTO FILTRANTE
24	1	FILTER ELEMENT SCREW	VITE ELEMENTO FILTRANTE
25	1	O'RING BOWL	O'RING TAZZA
26a	1	MANUAL DRAIN BOWL	TAZZA SCARICO MANUALE
26b	1	AUTOMATIC DRAIN BOWL	TAZZA SCARICO AUTOMATICO
27	1	BENZIN	ANELLO BENZIN
28	1	O'RING DRAIN	O'RING DRAIN
29	1	MANUAL DRAIN	SCARICO MANUALE
30	1	AUTOMATIC DRAIN	SCARICO AUTOMATICO
31	1	O'RING AUTO DRAIN	O'RING SCARICO AUTO
32	1	AUTOMATIC DRAIN SEAT	SEDE SCARICO AUTOMATICO
33	1	O'RING AUTO DRAIN	O'RING SCARICO AUTO
34	1	AUTOMATIC DRAIN SEAT	SEDE SCARICO AUTOMATICO
35	8	SCREW M5x16 DIN 912 A2	VITI M5X16
41	1	O'RING VALVE	O'RING

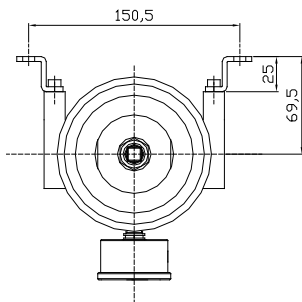
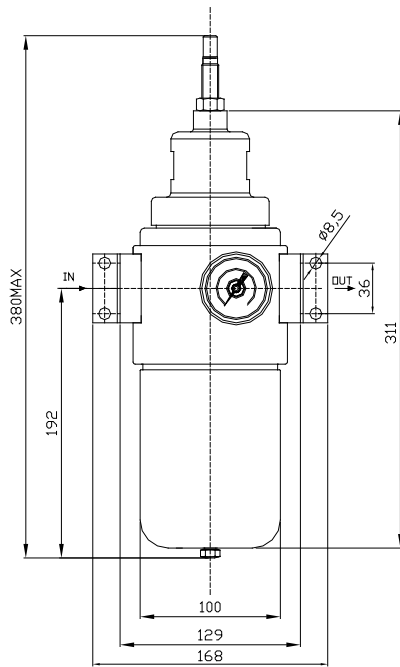
BT-FR16SS/C20B

Overall dimension

Dimensioni di ingombro

Manual drain

Scarico manuale

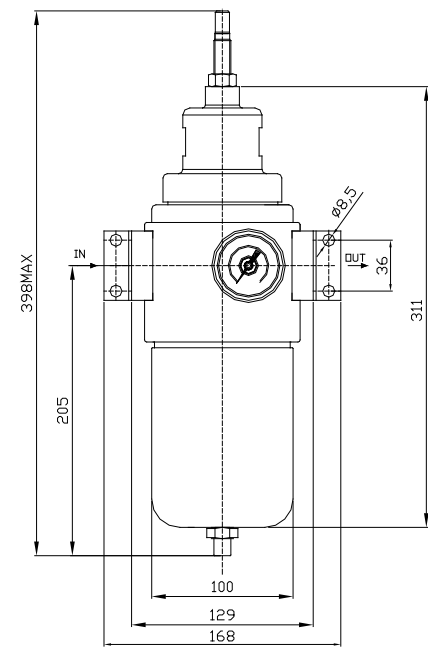


FR12 A = 3/4"

FR16 A = 1"

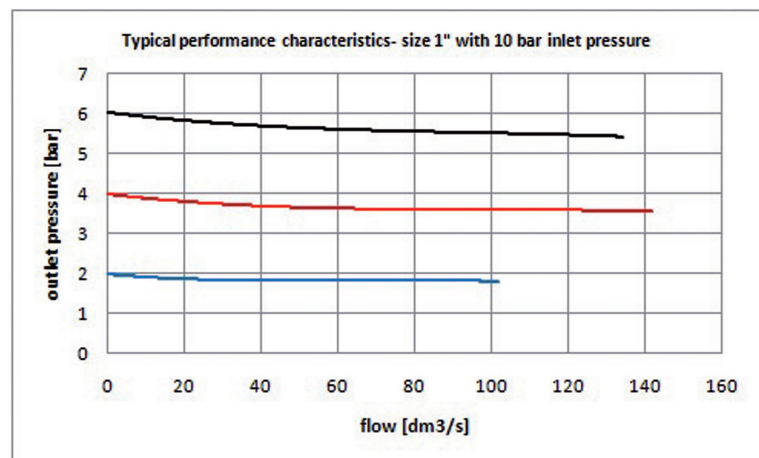
Automatic drain

Scarico automatico



Note for automatic drain / Nota per scarico automatico:

- max inlet pressure 16bar / massima pressione di utilizzo 16bar
- not recommended for $T < 2^{\circ}\text{C}$ / non raccomandato per $T < 2^{\circ}\text{C}$



Accessories and repair kit

Accessori e ricambi

Maintenance kit / Kit manutenzione	K-FR12-0-SS-** [3/4"] K-FR16-0-SS-** [1"]
Pressure gauge DN40mm, all SS, Bar+psi+kpa range / Manometro DN40mm, tutto inox, scala Bar+psi+kpa	0-2,5 bar MBS6P4S2PN04 0-4bar MBS6P4S2PN05 0-10bar MBS6P4S2PN07
Bracket / Staffa	SQ-FR16
Anti-tamper kit / Kit anti-manomissione	KTAM04-08

* Refers to filter element option: 1→5 micron 2→25 micron 3→40 micron 4→coalescing

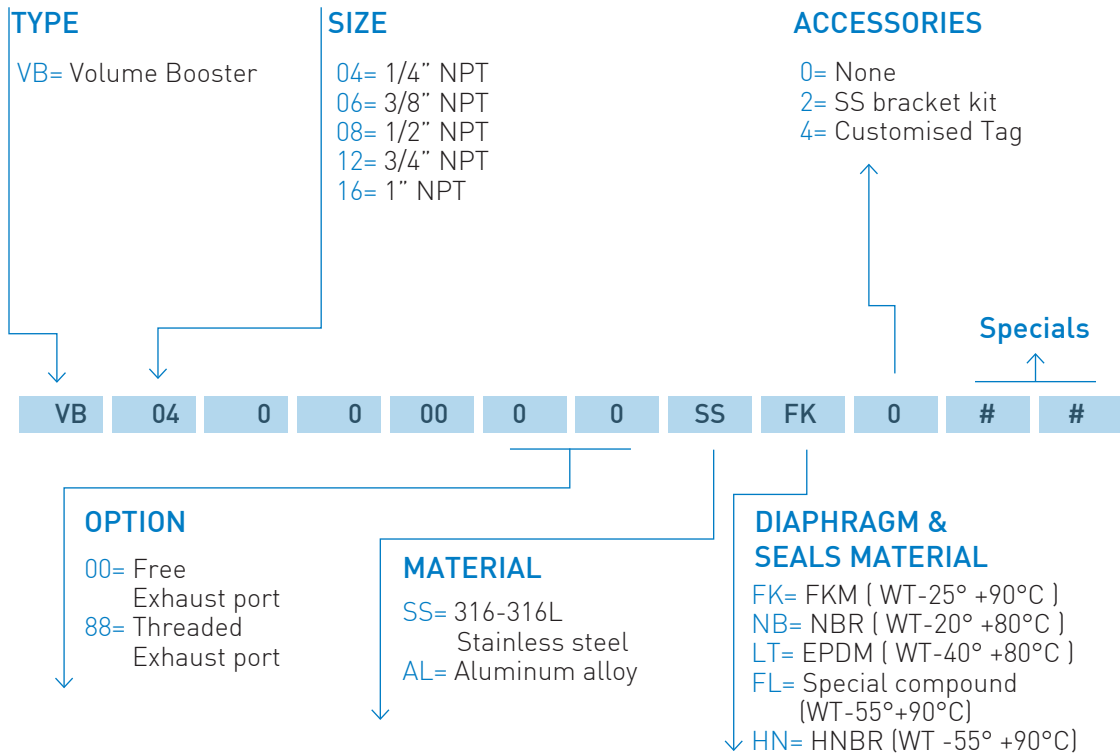
** Refers to seals type: FK→FKM NB→NBR LT→EPDM FL→FVMQ HN→HNBR



Ordering information

Come ordinare

www.sitecna.eu



CODE EXAMPLES



VB 04 0 0 00 0 0 SS FK 0

1/4" NPT, SS316L, Volume booster, with FKM diaphragm & seals, Cv In - 2.20 exhaust- 2.40, WT -25°C to 90°C

Amplificatore di flusso da 1/4" NPT in AISI316L con diaframma e tenute in FKM, Cv In - 2.20 exhaust- 2.40, temperatura di lavoro da -25°C a +90°C



VB 08 0 0 00 8 8 AL LT 0

1/2" NPT, Epoxy painted aluminium alloy + SS304 or 316L, volume booster with FKM diaphragm & seals, threaded exhaust, Cv In/exhaust 2.80, WT -25°C to +90°C

Amplificatore di flusso da 1/2" NPT in Lega di alluminio con verniciatura epossidica + AISI304-316L con diaframma e tenute in EPDM, Cv In/Exhaust 2.80, scarico filettato, temperatura di lavoro da -40°C a +80°C

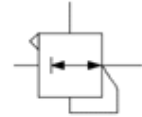
01-VB/C20A

Copper free aluminum alloy 1/4"-1/2" NPT volume booster – VB serie

Amplificatore di flusso da 1/4" -1/2" NPT in lega di alluminio esente rame – serie VB

www.sitecna.eu

- Suitable for automation equipment to onshore, offshore, pharmaceutical, medical and food applications
- Full material traceability
- Excellent stability and repeatability
- Accurate adjustment and high flow capacity
- Integral by-pass valve
- ATEX 2014/34/UE II 2G Ex h IIC T6/T5 Gb X
II 2D Ex h IIIC T85°C/T100°C Db X
- & approved / IP66/ SIL 3 - IEC 61508



- Adatto per automazione in applicazioni marine, petrolchimiche, farmaceutiche, medicali e alimentari
- Completa rintracciabilità dei materiali
- Eccellente stabilità e ripetibilità
- Precise regolazioni ed elevate portate
- Valvola di by-pass integrale
- ATEX 2014/34/UE II 2G Ex h IIC T6/T5 Gb X
II 2D Ex h IIIC T85°C/T100°C Db X
- Approvato ed / IP66/ SIL 3 - IEC 61508

Media / Fluido	Compressed air, inert gases, sweet and sour gases
Port thread / Conessioni	1/4"-1/2" NPT
Signal Connection Connessione segnale	1/4" NPT
Max supply pressure Pressione massima di ingresso	10bar
Max signal/output pressure Pressione massima segnale/uscita	10bar
Flow rate (Cv)/Portata	1/4" - Input = 2.20; Exhaust = 2.40 1/2" - Input = 2.80; Exhaust = 2.80
Working temperature / Temperatura di esercizio	-20°C up to 80°C (NBR); -25°C up to 90°C (FKM); -40°C up to 80°C (EPDM); -55° up to 90°C (FVMQ)*
Linearity/Linearità	+/- 0.90 FS
In/Output pressure ratio Rapporto di pressione In/Out	1:1

Air supply must be dry enough to avoid ice formation at temperatures below +2°C (+35°F).

*Special version in HNBR (WT -55°C + 90°C)

It provides excellent regulation with high flow for a wide range of applications. Rugged and corrosion-resistant – made of aluminum alloy and SS AISI304/316 – Compact small package size – light weight / Permette una regolazione accurata con grandi portate per una vasta gamma di applicazioni. Robusto e resistente alla corrosione – Costruito in lega di alluminio ed AISI304/316 - Dimensioni di ingombro ridotte – Leggero

BUILDING MATERIALS	Materiali costruttivi
Body, spacer, top in epoxy painted copper free aluminum alloy	Corpo, distanziale, coperchio in lega di alluminio esente rame con verniciatura epossidica
Internals, bracket, lock and panel nuts, fixing screws in stainless steel	Vite di regolazione, staffa, dadi di bloccaggio e pannello, viti di fissaggio in acciaio inossidabile

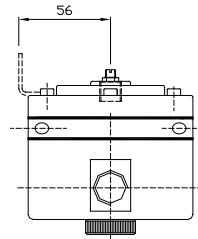
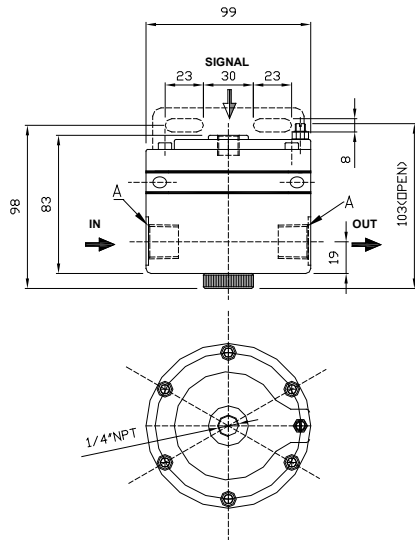
BT-VB04AL/C20A

Overall dimension

Dimensioni di ingombro

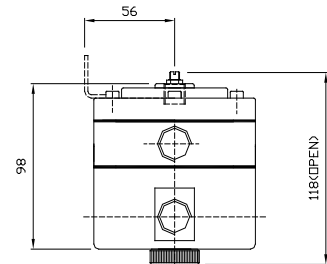
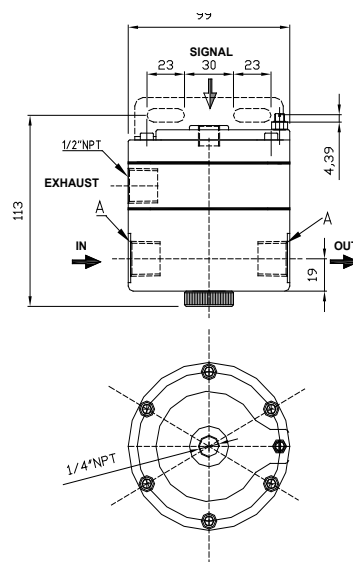
Free exhaust port

Scarico libero



Threaded exhaust port

Scarico convogliato



VB04 A=1/4"

VB08 A=1/2"

Accessories and repair kit

Accessori e ricambi

Maintenance kit / Kit manutenzione	Items K-VB08-* -AL-**
Bracket / Staff	C0607-031

* Refers to exhaust port: 00= free exhaust; 88 = threaded exhaust

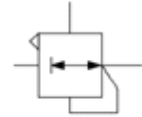
** Refers to seals type: FK→FKM NB→NBR LT→EPDM FL→FVMQ HN→HNBR

Copper free aluminum alloy 3/4"-1"NPT volume booster – VB serie

Amplificatore di flusso da 3/4" -1"NPT in lega di alluminio esente rame – serie VB

www.sitecna.eu

- Suitable for automation equipment to onshore, offshore, pharmaceutical, medical and food applications
- Full material traceability
- Excellent stability and repeatability
- Accurate adjustment and high flow capacity
- Integral by-pass valve
- ATEX 2014/34/UE II 2G Ex h IIC T6/T5 Gb X
II 2D Ex h IIIC T85°C/T100°C Db X
- & approved / IP66/ SIL 3 - IEC 61508



- Adatto per automazione in applicazioni marine, petrolchimiche, farmaceutiche, medicali e alimentari
- Completa rintracciabilità dei materiali
- Eccellente stabilità e ripetibilità
- Precise regolazioni ed elevate portate
- Valvola di by-pass integrale
- ATEX 2014/34/UE II 2G Ex h IIC T6/T5 Gb X
II 2D Ex h IIIC T85°C/T100°C Db X
- Approvato ed / IP66/ SIL 3 - IEC 61508

Media / Fluido	Compressed air, inert gases, sweet and sour gases
Port thread / Conessioni	3/4"-1" NPT
Signal Connection Connessione segnale	1/4"NPT
Max supply pressure Pressione massima di ingresso	10bar
Max signal/output pressure Pressione massima segnale/uscita	10bar
Flow rate (Cv)/Portata	3/4" - Input = 5.60; Exhaust = 6.50 1" - Input = 8; Exhaust = 8
Working temperature / Temperatura di esercizio	-20°C up to 80°C (NBR); -25°C up to 90°C (FKM); -40°C up to 80°C (EPDM); -55° up tp 90°C (FVMQ)*
Linearity/Linearità	+/- 1.00 FS
In/Output pressure ratio Rapporto di pressione In/Out	1:1

Air supply must be dry enough to avoid ice formation at temperatures below +2°C (+35°F).

***Special version in HNBR (WT -55°C + 90°C)**

It provides excellent regulation with high flow for a wide range of applications. Rugged and corrosion-resistant – made of aluminum alloy and SS AISI304/316 - Compact small package size – light weight / Permette una regolazione accurata con grandi portate per una vasta gamma di applicazioni. Robusto e resistente alla corrosione – Costruito in lega di alluminio ed AISI304/316 - Dimensioni di ingombro ridotte – Leggero

BUILDING MATERIALS	Materiali costruttivi
Body, spacer, top in epoxy painted copper free aluminum alloy	Corpo, distanziale, coperchio in lega di alluminio esente rame con verniciatura epossidica
Internals, bracket, lock and panel nuts, fixing screws in stainless steel	Vite di regolazione, staffa, dadi di bloccaggio e pannello, viti di fissaggio in acciaio inossidabile

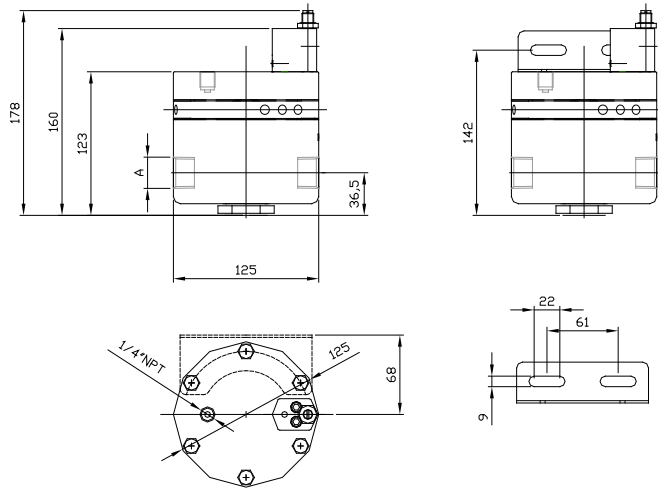
BT-VB16AL/C20A

Overall dimension

Dimensioni di ingombro

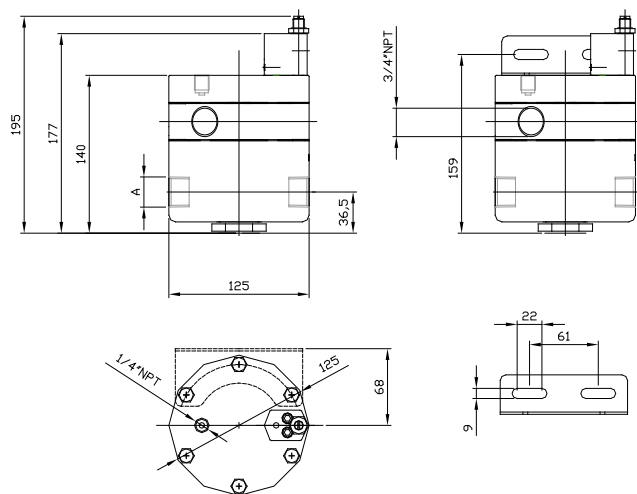
Free exhaust port

Scarico libero



Threaded exhaust port

Scarico convogliato



VB12 A=3/4"

VB16 A=1"

Accessories and repair kit

Accessori e ricambi

Maintenance kit / Kit manutenzione	Items K-VB16-*AL-** [1"]
Bracket and lock nut / Staffa e Dado	C0740-40

* Refers to exhaust port: 00= free exhaust; 88 = threaded exhaust

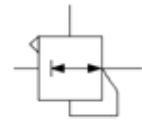
** Refers to seals type: FK→FKM NB→NBR LT→EPDM FL→FVMQ HN→HNBR

www.sitecna.eu

AISI316L 1/4"-1/2"NPT volume booster – VB serie

Amplificatore di flusso da 1/4" -1/2"NPT in AISI316L – serie VB

- Suitable for automation equipment to onshore, offshore, pharmaceutical, medical and food applications
- Full material traceability
- Excellent stability and repeatability
- Accurate adjustment and high flow capacity
- Integral by-pass valve
- ATEX 2014/34/UE II 2G Ex h IIC T6/T5 Gb X
II 2D Ex h IIIC T85°C/T100°C Db X
- & approved / IP66/ SIL 3 - IEC 61508



- Adatto per automazione in applicazioni marine, petrolchimiche, farmaceutiche, medicali e alimentari
- Completa rintracciabilità dei materiali
- Eccellente stabilità e ripetibilità
- Precise regolazioni ed elevate portate
- Valvola di by-pass integrale
- ATEX 2014/34/UE II 2G Ex h IIC T6/T5 Gb X
II 2D Ex h IIIC T85°C/T100°C Db X
- Approvato ed / IP66/ SIL 3 - IEC 61508

Media / Fluido	Compressed air, inert gases, sweet and sour gases
Port thread / Connessioni	1/4"-1/2" NPT
Signal Connection Connessione segnale	1/4"NPT
Max supply pressure Pressione massima di ingresso	10bar
Max signal/output pressure Pressione massima segnale/uscita	10bar
Flow rate (Cv)/Portata	1/4" - Input = 2.20; Exhaust = 2.40 1/2" - Input = 2.80; Exhaust = 2.80
Working temperature / Temperatura di esercizio	-20°C up to 80°C (NBR); -25°C up to 90°C (FKM); -40°C up to 80°C (EPDM); -55° up tp 90°C (FVMQ)*
Linearity/Linearità	+/- 0.90 FS
In/Output pressure ratio Rapporto di pressione In/Out	1:1

Air supply must be dry enough to avoid ice formation at temperatures below +2°C (+35°F).

***Special version in HNBR (WT -55°C + 90°C)**

It provides excellent regulation with high flow for a wide range of applications. Rugged and corrosion-resistant – made in SS316L - Compact small package size – light weight

Permette una regolazione accurata con grandi portate per una vasta gamma di applicazioni. Robusto e resistente alla corrosione – Costruito completamente in AISI316L - Dimensioni di ingombro ridotte – Leggero

BUILDING MATERIALS	Materiali costruttivi
Body, spacer, top AISI316/316L stainless steel	Corpo, distanziale, coperchio in acciaio inossidabile AISI316/316L
Internals, bracket, lock and panel nuts, fixing screws in stainless steel	Vite di regolazione, staffa, dadi di bloccaggio e pannello, viti di fissaggio in acciaio inossidabile
Diaphragm & seals in elastomer	Diaframma e guarnizioni in elastomero

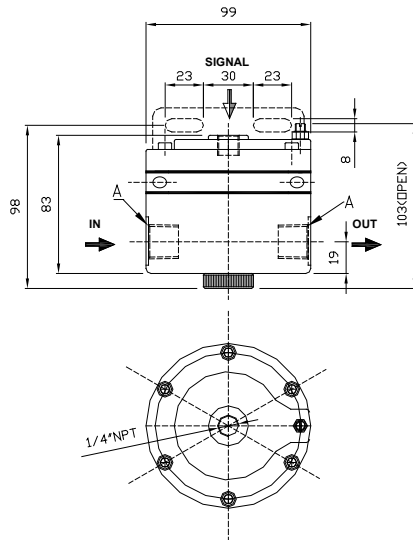
BT-VB04SS/C20A

Overall dimension

Dimensioni di ingombro

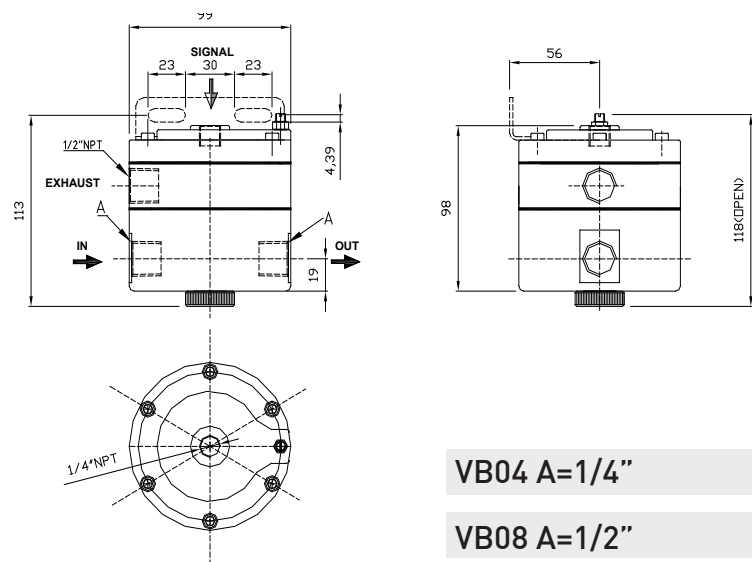
Free exhaust port

Scarico libero



Threaded exhaust port

Scarico convogliato



VB04 A=1/4"

VB08 A=1/2"

Accessories and repair kit

Accessori e ricambi

Maintenance kit / Kit manutenzione	Items K-VB08-*-SS-** [1/2"]
Bracket /Staffa	C0607-031

* Refers to exhaust port: 00= free exhaust; 88 = threaded exhaust

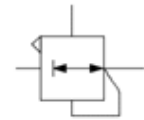
** Refers to seals type: FK→FKM NB→NBR LT→EPDM FL→FVMQ HN→HNBR

AISI316L 3/4"-1"NPT volume booster – VB serie

Amplificatore di flusso da 3/4" -1"NPT in AISI316L – serie VB

www.sitecna.eu

- Suitable for automation equipment to onshore, offshore, pharmaceutical, medical and food applications
- Full material traceability
- Excellent stability and repeatability
- Accurate adjustment and high flow capacity
- Integral by-pass valve
- ATEX 2014/34/UE II 2G Ex h IIC T6/T5 Gb X
II 2D Ex h IIIC T85°C/T100°C Db X
- & approved / IP66/ SIL 3 - IEC 61508



- Adatto per automazione in applicazioni marine, petrolchimiche, farmaceutiche, medicali e alimentari
- Completa rintracciabilità dei materiali
- Eccellente stabilità e ripetibilità
- Precise regolazioni ed elevate portate
- Valvola di by-pass integrale
- ATEX 2014/34/UE II 2G Ex h IIC T6/T5 Gb X
II 2D Ex h IIIC T85°C/T100°C Db X
- Approvato ed / IP66/ SIL 3 - IEC 61508

Media / Fluido	Compressed air, inert gases, sweet and sour gases
Port thread / Connessioni	3/4" -1" NPT
Signal Connection Connessione segnale	1/4"NPT
Max supply pressure Pressione massima di ingresso	10bar
Max signal/output pressure Pressione massima segnale/uscita	10bar
Flow rate (Cv)/Portata	3/4" - Input = 5.60; Exhaust = 6.50 1" - Input = 8; Exhaust = 8
Working temperature / Temperatura di esercizio	-20°C up to 80°C (NBR); -25°C up to 90°C (FKM); -40°C up to 80°C (EPDM); -55° up tp 90°C (FVMQ)*
Linearity/Linearità	+/- 1.00 FS
In/Output pressure ratio Rapporto di pressione In/Out	1:1

Air supply must be dry enough to avoid ice formation at temperatures below +2°C (+35°F).

***Special version in HNBR (WT -55°C + 90°C)**

It provides excellent regulation with high flow for a wide range of applications. Rugged and corrosion-resistant – made in SS316L - Compact small package size – light weight

Permette una regolazione accurata con grandi portate per una vasta gamma di applicazioni. Robusto e resistente alla corrosione – Costruito completamente in AISI316L - Dimensioni di ingombro ridotte – Leggero

BUILDING MATERIALS	Materiali costruttivi
Body, spacer, top AISI316/316L stainless steel	Corpo, distanziale, coperchio in acciaio inossidabile AISI316/316L
Internals, bracket, lock and panel nuts, fixing screws in stainless steel	Vite di regolazione, staffa, dadi di bloccaggio e pannello, viti di fissaggio in acciaio inossidabile
Diaphragm & seals in elastomer	Diaframma e guarnizioni in elastomero

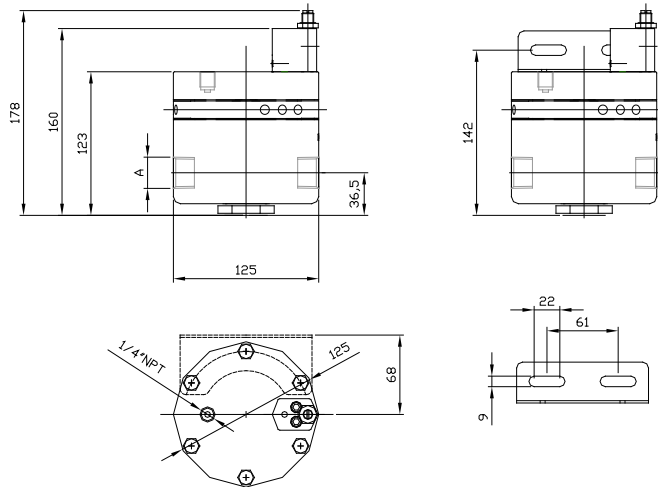
BT-VB16SS/C20A

Overall dimension

Dimensioni di ingombro

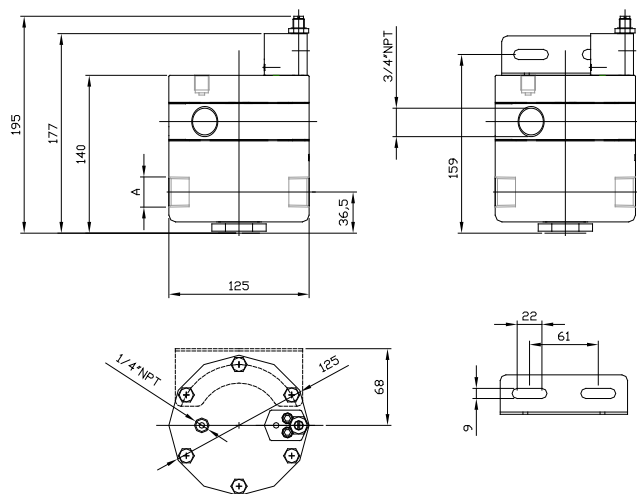
Free exhaust port

Scarico libero



Threaded exhaust port

Scarico convogliato



VB12 A=3/4"

VB16 A=1"

Accessories and repair kit

Accessori e ricambi

Maintenance kit / Kit manutenzione	Items K-VB16-* -SS-** [1"]
Bracket/Staffa	C0740-40

* Refers to exhaust port: 00= free exhaust; 88 = threaded exhaust

** Refers to seals type: FK→FKM NB→NBR LT→EPDM FL→FVMQ HN→HNBR



Section B – Control valves Sezione B – Valvole di controllo

A complete range of balanced spool valves in copper free aluminum alloy or AISI316L with air or mechanical acting for use with air or compatible gas

- Copper free aluminum alloy or Stainless steel 316L construction
- Standard Sizes 1/4", 3/8", 1/2", 3/4"
- Three (3/2) or five (5/2) ways
- Standard seals in NBR/FKM/HNBR
- High flow features, DN8mm (1/4") or 12mm (3/8", 1/2", 3/4")
- Pneumatic acting
- Manual acting
- Choice of standard or special mechanical acting
- Max working pressure to 10bar
- Full material traceability
- Certifications to EN10204 3,1
- 100% Italian production
- 100% Tested
- ATEX, SIL3 and EAC certified range



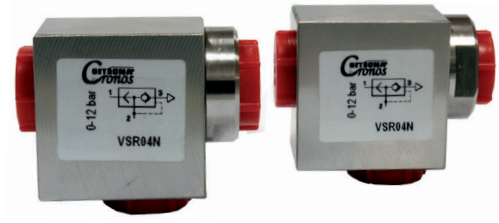
Una gamma di valvole di controllo a cassetto bilanciato in alluminio esente rame o AISI316L a comando pneumatico o meccanico per uso con aria o gas compatibili



- Costruzione in alluminio esente rame o AISI316L
- Connessioni std da 1/4", 3/8" e 1/2"
- Versioni a tre (3/2) o cinque (5/2) vie
- Tenute std in NBR/FKM/HNBR
- Elevate portate, passaggio 8mm (1/4") o 1 passaggio 2mm ((3/8", 1/2", 3/4")
- Azionamento pneumatico
- Azionamento manuale
- Varietà di azionamenti meccanici standard o speciali
- Pressioni di utilizzo 10BAR
- Completa rintracciabilità di tutti i componenti
- Certificati EN10204 3,1, TR CU, SIL3
- Produzione 100% italiana
- Collaudo al 100%
- Certificati ATEX, SIL3 ed EAC

A complete range of uni or bi directional flow regulators and quick exhaust valves in copper free aluminum alloy or AISI316L for use with air or gas

- Copper free aluminum alloy or Stainless steel 316L construction
- Standard Sizes 1/4", 3/8", 1/2", 3/4", 1"
- Standard seals in NBR, FKM, EPDM, FVMQ, HNBR, PU, Silicone
- Max working pressure to 12bar
- Full material traceability
- Certifications to EN10204 3,1, ATEX, EAC
- Certification to SIL3 (only for quick exhaust)
- 100% Italian production
- 100% Tested



Quick exhaust valves

Una gamma di regolatori di flusso uni e bi direzionali e valvole di scarico rapido in alluminio esente rame o AISI316 per uso con aria o gas

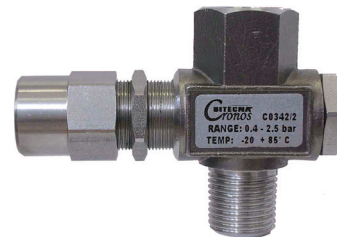
- Costruzione in alluminio esente rame o AISI316L
- Connessioni std da 1/4", 3/8", 1/2", 3/4" e 1"
- Tenute std in NBR, FKM, PU, Silicone
- Elevate portate
- Pressioni di utilizzo 12BAR
- Completa rintracciabilità di tutti i componenti
- Certificati EN10204 3,1, ATEX, EAC
- Scarichi rapidi certificati SIL3
- Produzione 100% italiana
- Collaudo al 100%



Uni directional flow regulator

Overload protectors in AISI316L for use with air or gas or liquid

- Stainless steel 316L complete construction
- Standard Sizes 1/2" male x female
- Standard seals in NBR, FKM, EPDM
- Max working pressure to 400bar
- Full material traceability
- Certifications to EN10204 3,1. ATEX, EAC
- 100% Italian production
- 100% Tested



Overload protectors

Limitatori di pressione in AISI316 per uso con aria o gas o liquidi

- Costruzione completamente in AISI316L
- Connessioni std da 1/2" maschio femmina
- Tenute std in NBR, FKM, EPDM
- Affidabilità di funzionamento
- Pressioni di utilizzo da 2 a 400BAR
- Completa rintracciabilità di tutti i componenti
- Certificati EN10204 3,1, ATEX, EAC
- Produzione 100% italiana
- Collaudo al 100%

www.sitecna.eu

A complete range of single or double lock-up valves in copper free aluminum alloy or AISI316L for use with air or compatible gas

- Copper free aluminum alloy or Stainless steel 316L construction
- Standard Size 1/4"NPT, special Size 1/2"NPT
- Single or double lock-up valve
- Std seals and diaphragms in NBR, EPDM, FKM FVQM, HNBR
- Max working pressure to 10BAR - 12BAR
- Sensibility 0.1 BAR
- Temperature range from -55°C to +90°C
- Full material traceability
- Certifications to EN10204 3, ATEX, EAC
- 100% Italian production, 100% Tested



Una gamma di valvole di lock-up singole o doppie in alluminio esente rame o in AISI316L per uso con aria o gas

- Costruzione in alluminio esente rame o AISI316L
- Connessioni std da 1/4", speciali: 1/2"NPT
- Valvola di lock-up singola o doppia
- Tenute e diaframmi std in NBR, EPDM, FKM, FVMQ, HNBR
- Pressione di utilizzo massima 10BAR - 12BAR
- Sensibilità 0.1 BAR
- Temperatura di utilizzo da -55°C a +90°C
- Completa rintracciabilità di tutti i materiali
- Certificati EN10204 3,1, ATEX e EAC
- Produzione 100% italiana, 100% collaudata



Back pressure regulators and 2 & 3 ways Switch valves in AISI316L

- Stainless steel 316L complete construction
- Standard Sizes 1/4"
- Std seals and diaphragms in NBR, EPDM, FKM, FVQM, HNBR
- Temperature range from -55°C to +90°C
- Full material traceability
- Certifications to EN10204 3, ATEX, EAC
- Certification to SIL3 (only for back pressure)
- 100% Italian production, 100% Tested



Regolatori di contropressione e valvole di commutazione in AISI316L

- Costruzione completamente in AISI316L
- Connessioni std da 1/4"
- Tenute e diaframmi std in NBR, EPDM, FKM, FVMQ, HNBR
- Temperatura di utilizzo da -55°C a +90°C
- Completa rintracciabilità di tutti i componenti
- Certificati EN10204 3,1, ATEX, EAC
- Regolatori di contropressione erificati SIL3
- Produzione 100% italiana, 100% collaudata



BT-PICV/C21C

Index - Indice

- p.108 **Ordering information DP serie**
Informazioni per l'ordine serie DP



- p.109 **Aluminum alloy Air & Mechanical acting directional control Spool Valves**
Valvole di controllo a cassetto ad azionamento pneumo-meccanico in lega di alluminio

1/4", 3/8", 1/2", 3/4", 1"NPT
3/2, 5/2

**NEW
PRODUCT**



- p.118 **Stainless Steel 316L Air & Mechanical acting directional control Spool Valves**
Valvole di controllo a cassetto ad azionamento pneumo-meccanico in AISI316L

1/4", 3/8", 1/2", 3/4", 1"NPT
3/2, 5/2,

**NEW
PRODUCT**



- p.127 **Ordering information LK serie**
Informazioni per l'ordine serie LK



- p.128 **Aluminum alloy lock-up valves**
Valvole di lock-up in lega di alluminio

Single or Double Lock-Up / Lock up singolo o doppio
1/4", 1/2"NPT



- p.133 **Stainless Steel 316L lock-up valves**
Valvole di lock-up in AISI316L

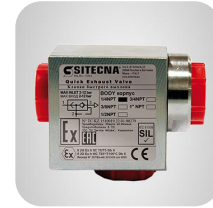
Single or Double Lock-Up / Lock up singolo o doppio
1/4", 1/2"NPT



p.138 Aluminum Alloy Quick exhaust valves
Valvole di scarico rapido in lega di alluminio
1/8", 1/4", 3/8", 1/2", 3/4", 1"NPT



p.140 Stainless steel 316L Quick exhaust valves
Valvole di scarico rapido in AISI316L
1/8", 1/4", 3/8", 1/2", 3/4", 1"NPT



p.142 Aluminum alloy Flow regulators
Regolatori di flusso in alluminio esente rame
1/4", 3/8", 1/2", 3/4", 1"NPT
Uni-Bidirectional - Uni-Bidirezionali



p.144 Stainless steel 316L Flow regulators
Regolatori di flusso in AISI316L
1/4", 3/8", 1/2", 3/4", 1"NPT
Uni-Bidirectional - Uni-Bidirezionali



p.146 Ordering information
Informazioni per l'ordine
Back pressure regulators
Regolatori di back pressure



p.147 Stainless steel 316L back pressure
Valvole di back pressure AISI316L
1/4"NPT



p.149 Ordering information

Informazioni per l'ordine

Pneumatic Relays

Relays Pneumatico



p.150 Stainless steel 316L 2&3 way pneumatic relays

Relays pneumatico a due e tre vie in AISI316L

1/4"NPT



p.152 Stainless steel 316L Overload protector

Limitatore di pressione tarabile in AISI316L



Ordering information - Spool valves

Come ordinare - valvole a cassetto

www.sitecna.eu

TYPE

- DP = Operator: Air pilot / Return: Spring
- DP.....-IR = Operator: Air pilot / Return: Spring + internal relief
- DPP = Operator: Air pilot // Return: Air Pilot
- DP.....-M1 = Operator: Knob push-pull / Return: Spring
- DP.....-M2* = Operator: Knob push-pull/ Return: Knob push-pull
- DP.....RM = Operator: Air pilot // Return: Spring (manual reset)
- DP.....RM1 = Operator: Air pilot / & manual / Return: Spring (manual reset)
- DP.....W1 = Operator: Roller Lever / Return: Spring (only 1/4"NPT)

DP 32 AL 04N FK -M1

WAYS

- 32= 3 ways, 2 positions
- 52= 5 ways, 2 positions

DIAPHRAGM & SEALS MATERIAL

- FK= FKM (WT-25° +90°C)
- NB= NBR (WT-20° +80°C)
- HN= HNBR (WT -55°+90°C)

MATERIAL

- SS= 316-316L
Stainless steel
- AL= Copper free
aluminum alloy
with epoxy paint

SIZE

- 04N= 1/4"NPT (DN8mm)
- 06N= 3/8"NPT (DN12mm)
- 08N= 1/2"NPT (DN12mm)
- 12N= 3/4"NPT (DN12mm)
- 14N= 3/4"NPT (DN16mm)**
- 16N= 1"NPT** (DN21mm)



CODE EXAMPLES

DP 32 AL 04N FK -M1

1/4"NPT, aluminum alloy with epoxy paint, 3 ways 2 positions, knob operated with spring return spool valve, with FKM seals
Valvola a cassetto da 1/4"NPT in alluminio esente rame, 3 vie 2 posizioni, azionamento manuale, ritorno a molla, tenute in FKM

DPP 52 SS 08N HN

1/4"NPT, SS316, 5 ways 2 positions, pilot operated with pilot return spool valve, with HNBR seals
Valvola a cassetto da 1/2"NPT in AISI316, 5 vie 2 posizioni, doppio azionamento pneumatico, tenute in HNBR

* Lockable version available

** Available only Air Pilot/Spring & Air Pilot/Air Pilot versions - No HNBR seals available

01-DP/21A

Copper free aluminum alloy 1/4", 3/8", 1/2", 3/4" NPT directional control spool valves - DP serie

Valvole di controllo a cassetto in alluminio esente rame da 1/4", 3/8", 1/2", 3/4" NPT - serie DP

- Suitable for automation equipment to onshore, offshore, pharmaceutical, medical and food applications
- Full material traceability
- 3/2 or 5/2 Functions
- 1/4" (DN8mm) & 3/8", 1/2", 3/4" (DN12mm) size
- Compact sizes
- Suitable for multidirectional flow
- Provided with through-holes in the body
- Suitable for dual pressure application
- Suitable for control and instrument gases
- High flow rate for the compact size of the valve
- ATEX 2014/34/UE II 2G Ex h IIC T6/T5 Gb X
- & approved II 2D Ex h IIIC T85°C/T100°C Db X
- SIL 3 - IEC 61508 (pilot operated models)



- Adatto per automazione in applicazioni marine, petrolchimiche, farmaceutiche, medicali e alimentari
- Completa rintracciabilità dei materiali
- Funzioni 3/2 e 5/2
- Taglie da 1/4" (DN 8mm) e 3/8", 1/2", 3/4" (DN12mm)
- Dimensioni compatte
- Adatte per flussi multidirezionali
- Dotate di fori passanti sul corpo

- Idonee per gas di controllo e strumentale
- Alte portate per le dimensioni compatte della valvola
- Adatte per applicazioni con doppia pressione
- ATEX 2014/34/UE II 2G Ex h IIC T6/T5 Gb X
II 2D Ex h IIIC T85°C/T100°C Db X
- Approvato ed
- SIL 3 - IEC61508
(modelli con azionamento pneumatico)

Media / Fluido	Compressed air, inert gases, sweet and sour gases
Port thread / Connessioni	1/4"-3/8"-1/2"-3/4" NPT
Working Pressure Pressione di lavoro	-0.9 -10 bar
Minimum pilot pressure Pressione massima di pilotaggio	2.5bar
Working temperature / Temperatura di esercizio	-20°C up to 80°C (NBR); -25°C up to 90°C (FKM); -55°C + 90°C (HNBR)
Orefice/Orifizio	dn 8 mm (1/4") - dn 12 mm (3/8", 1/2", 3/4")

Air supply must be dry enough to avoid ice formation at temperatures below +2°C (+35°F).

TYPES

- Operator: Air pilot / Return: Spring
- Operator: Air pilot / Return: Spring + internal relief
- Operator: Air pilot / Return: Pilot
- Operator: Knob push-pull/ Return: Spring
- Operator: Knob push-pull/ Return: Knob push-pull
- Operator: Air pilot / Return: Spring (manual reset)
- Operator: Pilot & manual / Return: Spring (manual res.)
- Operator: Roller Lever / Return: Spring (only 1/4")

Modelli

- Azionamento: Pneumatico / Ritorno: Molla
- Azion.: Pneum. / Ritorno: Molla + polmonaz. interna
- Azionamento: Pneumatico / Ritorno: Pneumatico
- Azionamento: Pulsante / Ritorno: Molla
- Azionamento: Pulsante / Ritorno: Pulsante
- Azionamento: Pneumatico / Ritorno: Molla (manuale)
- Azionamento: Pneum.&manuale /Ritorno: Molla (manuale)
- Azionamento: Leva Rotella / Ritorno: Molla (solo 1/4")

BUILDING MATERIALS	Materiali costruttivi
Body and end adapters in copper free aluminum alloy with epoxy painting	Corpo e adattatori terminali in alluminio esente rame con verniciatura epossidica
Spool in copper free aluminum alloy	Spola in alluminio esente rame
Screws and springs in stainless steel	Viti e molle in acciaio inossidabile
Gasket & seals in elastomer	Guarnizioni e tenute in elastomero

Operator: Air pilot / Return: Spring (with or without internal relief)

Azionamento: Pneumatico / Ritorno: molla (con o senza polmonazione interna)

1/4" NPT Overall dimension & pneumatic diaphragm

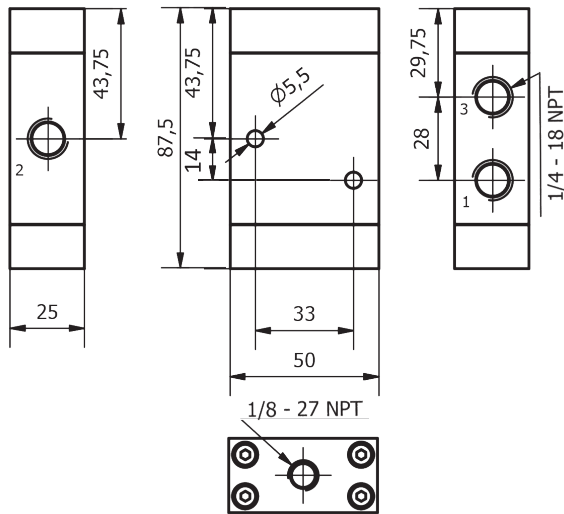
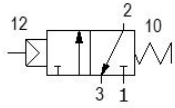
Dimensioni di ingombro taglia 1/4" NPT

Example code:

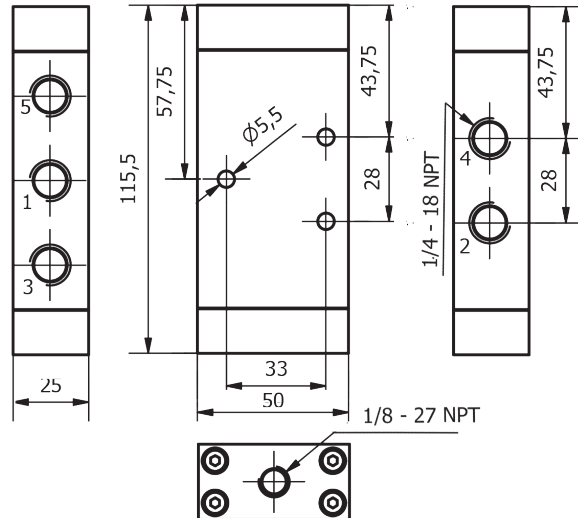
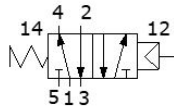
DP3204NALNB

DP3204NALNB-IR

3/2



5/2



1/2" NPT Overall dimension & pneumatic diaphragm

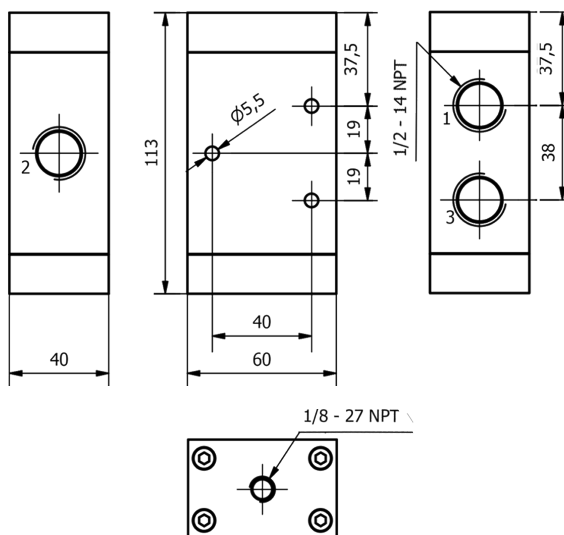
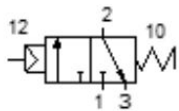
Dimensioni di ingombro taglia 1/2" NPT

Example code:

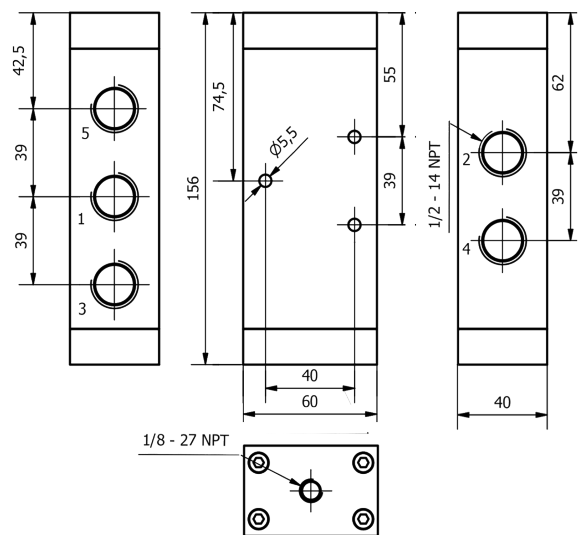
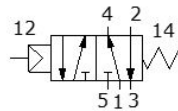
DP3208NALNB

DP3208NALNB-IR

3/2



5/2



Operator: Air pilot / Return: Pilot

Azionamento: Pneumatico / Ritorno: pneumatico

1/4" NPT Overall dimension & pneumatic diaphragm

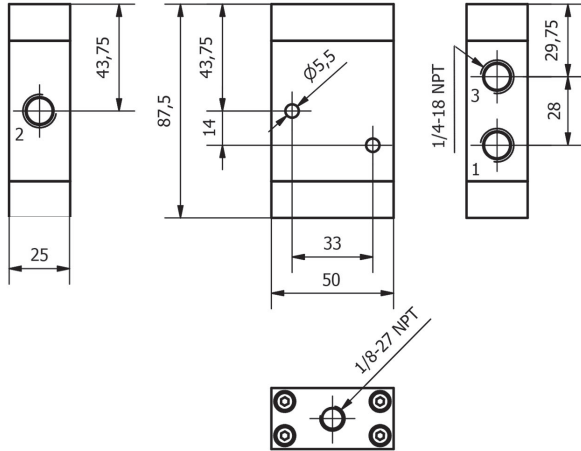
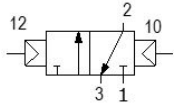
Dimensioni di ingombro taglia 1/4"NPT

Example code:

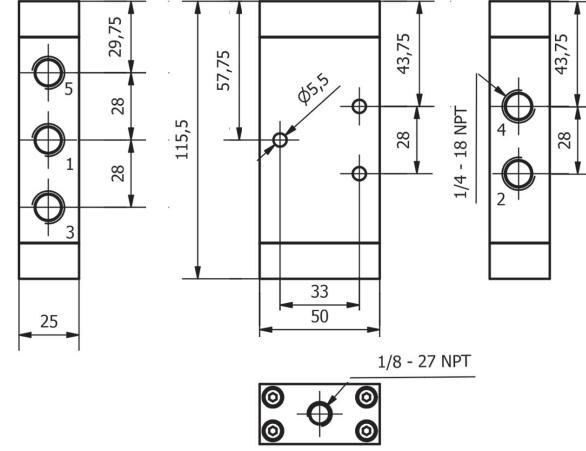
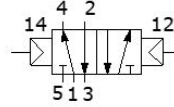
DPP3204NALNB

www.sitecna.eu

3/2



5/2



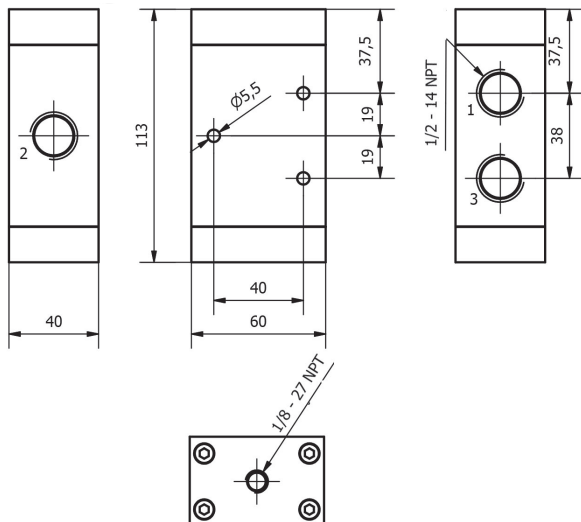
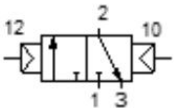
1/2" NPT Overall dimension & pneumatic diaphragm

Dimensioni di ingombro taglia 1/2"NPT

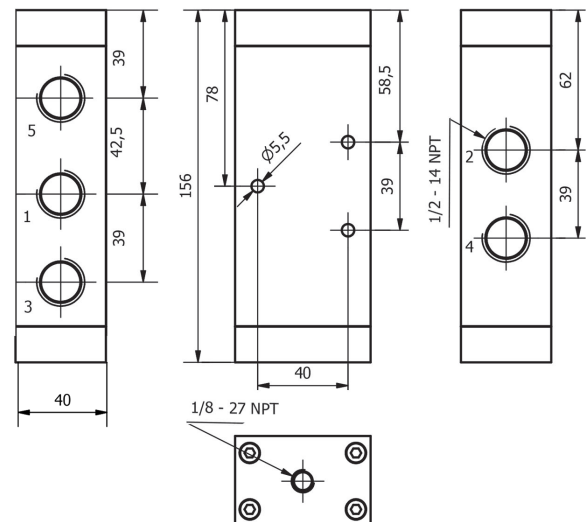
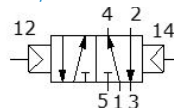
Example code:

DPP3208NALNB

3/2



5/2



BT-DPAL/C21C

Operator: Knob push-pull / Return: Spring

Azionamento: Pulsante palmo / Ritorno: molla

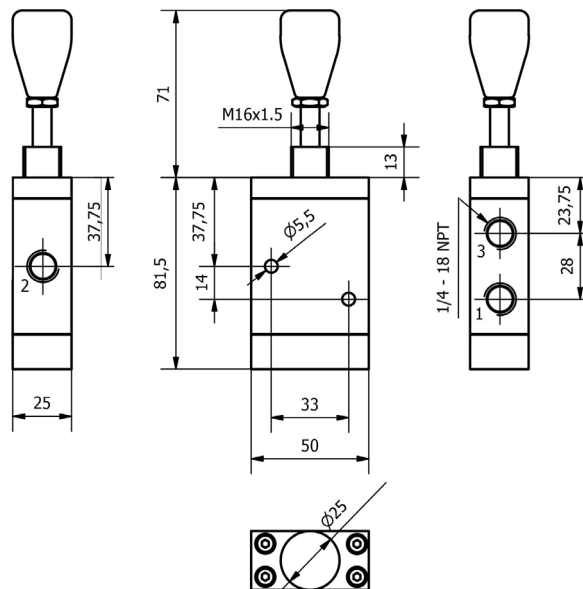
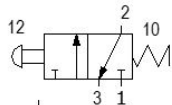
1/4" NPT Overall dimension & pneumatic diaphragm

Dimensioni di ingombro taglia 1/4"NPT

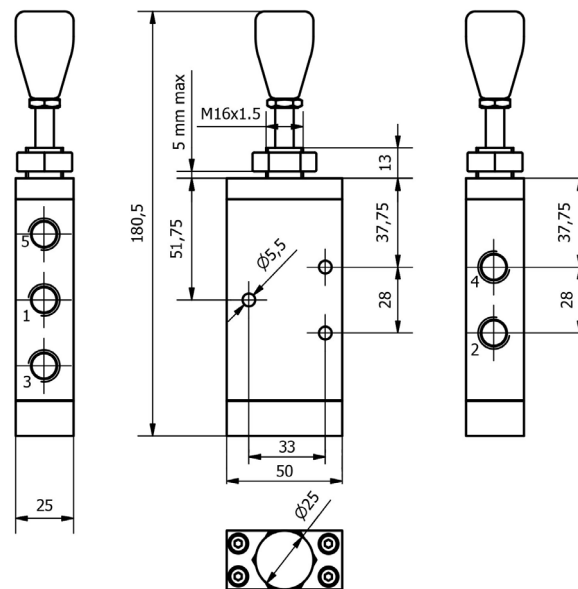
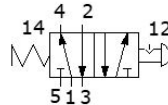
Example code:

DP3204NALNB-M1

3/2



5/2



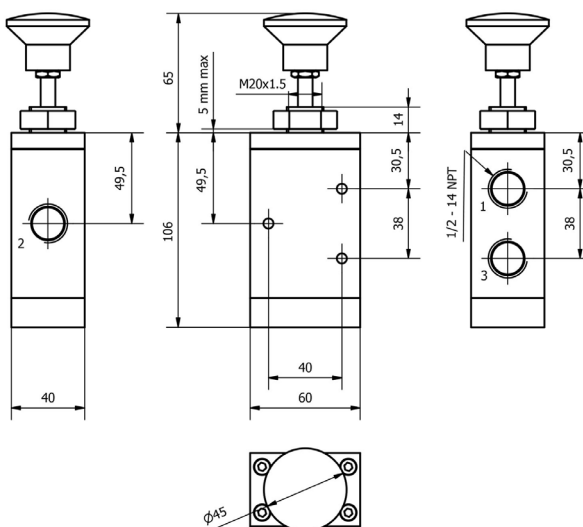
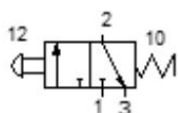
1/2" NPT Overall dimension & pneumatic diaphragm

Dimensioni di ingombro taglia 1/2"NPT

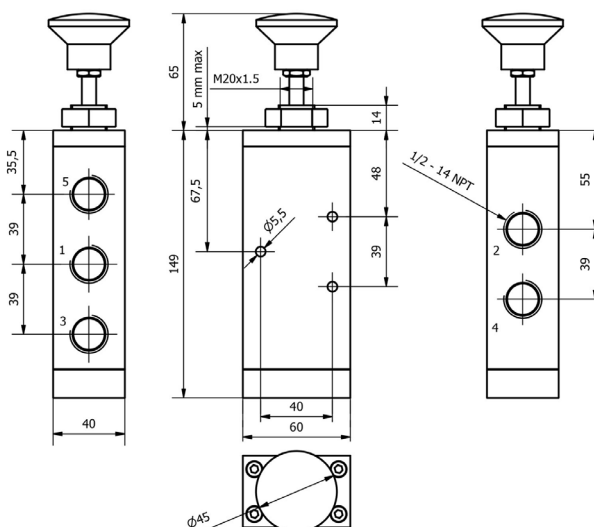
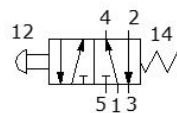
Example code:

DP3208NALNB-M1

3/2



5/2



Operator: Knob push-pull/ Return: Knob push-pull

Azionamento: Pulsante palmo / Ritorno: pulsante palmo

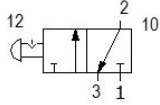
1/4" NPT Overall dimension & pneumatic diaphragm

Dimensioni di ingombro taglia 1/4"NPT

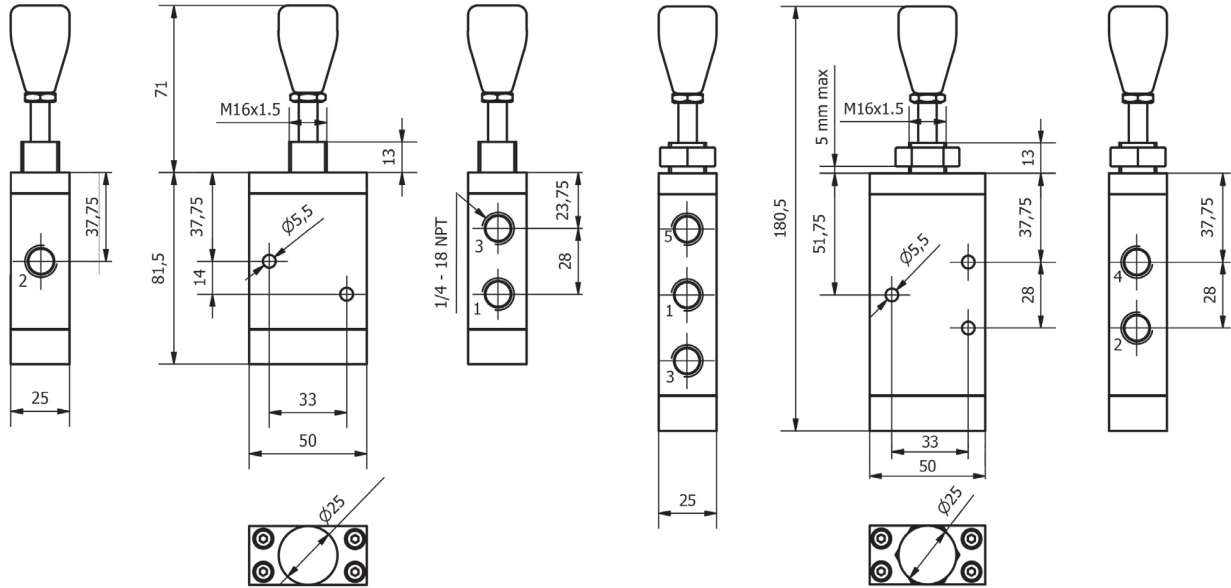
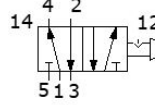
Example code:

DP3204NALNB-M2

3/2



5/2



NB: Lockable version available

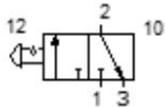
1/2" NPT Overall dimension & pneumatic diaphragm

Dimensioni di ingombro taglia 1/2"NPT

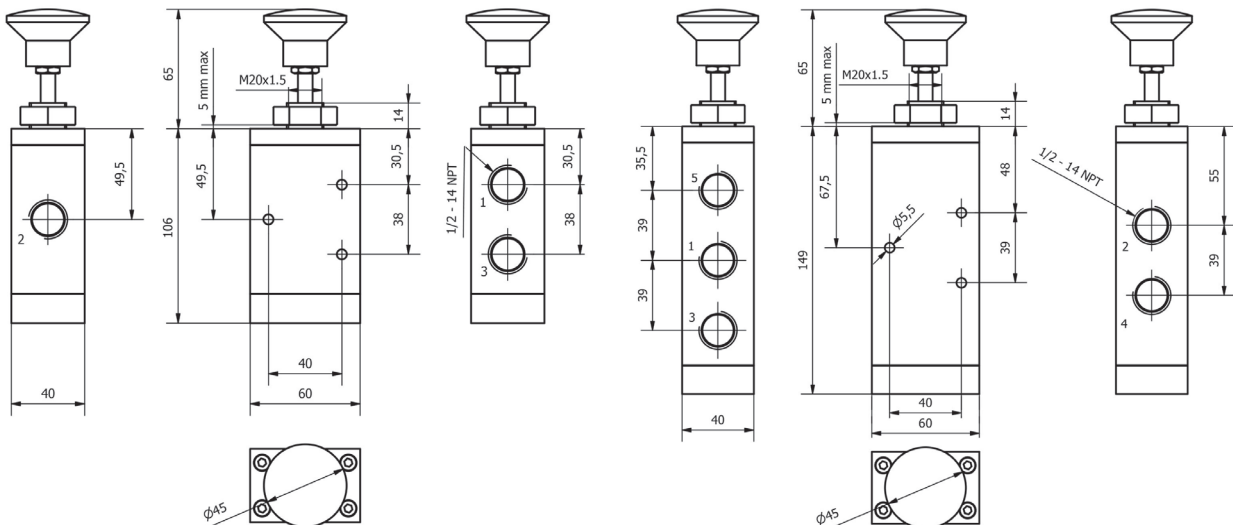
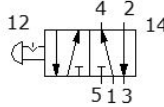
Example code:

DP3208NALNB-M2

3/2



5/2



Operator: Air pilot / Return: Spring (manual reset)

Azionamento: Pneumatico / Ritorno: molla (riarmo manuale)

Automatic operation

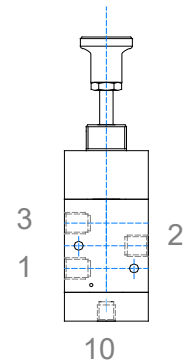
Funzionamento automatico

In the absence of a pilot signal 10, the valve joins together the connections 3 and 2, shutting off the connection 1. When the pilot signal acts upon the piston and moves the spindle to the end of the stroke, the connections 1 and 2 are joined together, while connection 3 is shut off. When the signal pilot ceases, a spring brings back the spindle to its initial position and the initial configuration is restored.

In assenza di segnale-pilota 10 la valvola pone in comunicazione gli attacchi 3 e 2 intercettando la connessione 1. Quando il segnale pilota agisce sul pistone e sposta la spoletta a fine corsa, sono posti in comunicazione gli attacchi 1 e 2 mentre l'attacco 3 è intercettato. Al cessare del segnale pilota, la molla spinge la spoletta nella posizione iniziale e ripristina la configurazione di partenza.

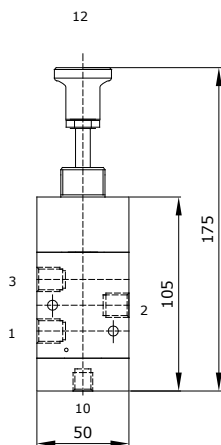
Example code:

DP3204NALNB-RM

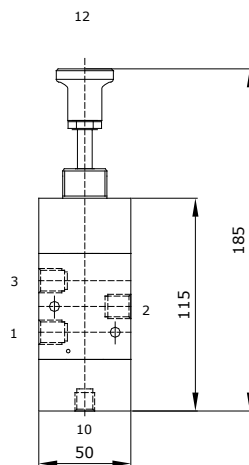


Overall dimension

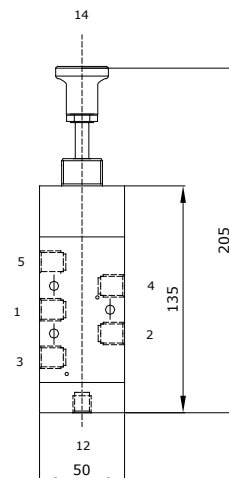
Dimensioni di ingombro



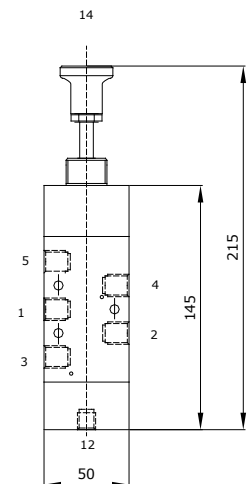
Pilot 3/2
Pneumatico 3/2



Manual Reset 3/2
Riarmo manuale 3/2



Pilot 5/2
Pneumatico 5/2



Manual Reset 5/2
Riarmo manuale 5/2

Operator: Air pilot & manual / Return: Spring (manual reset)

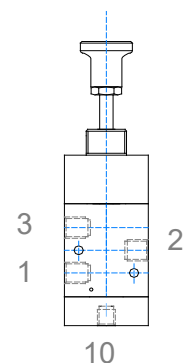
Azionamento: Pneumatico e manuale / Ritorno: molla (riarmo manuale)

Example code:

DP3204NALNB-RM1

The configuration is the same as in automatic operation, except that the presence of an actuating end caps with a piston prevents the action of the pilot signal without a previous manual reset by the operator. When the pilot signal is present at connection 10, the operator permits it to pass through by pulling the knob. The piston then moves the spindle to the end of the stroke, joining together the connections 1 and 2. When the pilot signal ceases, a spring brings back the spindle to its initial position, thus joining together the connections 2 and 3.

La configurazione è la stessa del funzionamento automatico ma la testata di azionamento con un pistone impedisce al segnale-pilota di agire senza l'intervento manuale dell'operatore. Quando il segnale pilota è presente all'attacco 10 e l'operatore, agendo sul pomolo, ne consente il transito, il pistone sposta la spoletta a fine corsa mettendo in comunicazione gli attacchi 1 e 2. Al cessare del segnale-pilota, la molla spinge la spoletta nella posizione iniziale mettendo in comunicazione gli attacchi 2 e 3.



Operator: Roller lever / Return: Spring

Azionamento: Leva rotella / Ritorno: molla

Overall dimension & pneumatic diaphragm

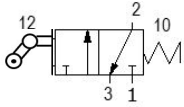
Dimensioni di ingombro

Example code:

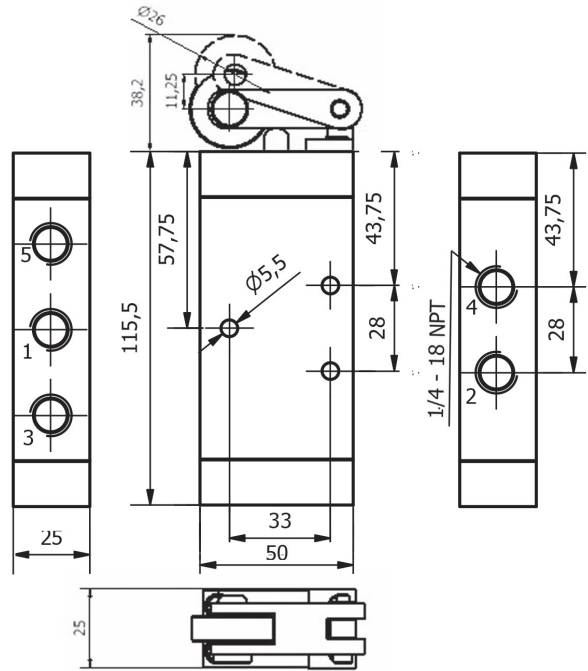
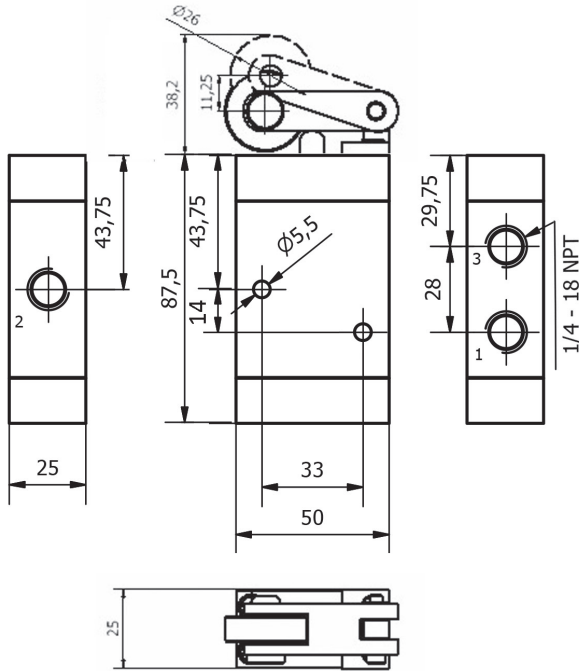
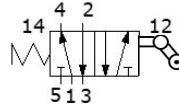
DP3204NALNB-W1

www.sitecna.eu

3/2



5/2



Copper free aluminum alloy 3/4", 1"NPT directional control spool valves - DP serie

Valvole di controllo a cassetto in alluminio esente rame da 3/4", 1"NPT - serie DP

www.sitecna.eu

- Suitable for automation equipment to onshore, offshore, pharmaceutical, medical and food applications
- Full material traceability
- 3/2 or 5/2 Functions
- 3/4" & 1" (DN21mm) size
- Suitable for multidirectional flow
- Provided with through-holes in the body
- Suitable for dual pressure application
- Suitable for control and instrument gases
- High flow rate for the compact size of the valve
- ATEX 2014/34/UE II 2G Ex h IIC T6/T5 Gb X*
- II 2D Ex h IIIC T85°C/T100°C Db X
- & approved*
- SIL 3 - IEC 61508 (pilot operated models) *



- Adatto per automazione in applicazioni marine, petrolchimiche, farmaceutiche, medicali e alimentari
- Completa rintracciabilità dei materiali
- Funzioni 3/2 e 5/2
- Taglie da 3/4" e 1" (DN21mm)
- Adatte per flussi multidirezionali
- Dotate di fori passanti sul corpo
- Idonee per gas di controllo e strumentale

- Alte portate per le dimensioni compatte della valvola
- Adatte per applicazioni con doppia pressione
- ATEX 2014/34/UE II 2G Ex h IIC T6/T5 Gb X*
- II 2D Ex h IIIC T85°C/T100°C Db X
- Approvato ed *
- SIL 3 - IEC61508 *
(modelli con azionamento pneumatico)

Media / Fluido	Compressed air, inert gases, sweet and sour gases
Port thread / Connessioni	3/4", 1"NPT
Working Pressure Pressione di lavoro	12 bar
Minimum pilot pressure Pressione minima di pilotaggio	2.5bar
Working temperature / Temperatura di esercizio	-20°C up to 80°C (NBR); -25°C up to 90°C (FKM); -55°C + 90°C (HNBR)
Orefice/Orifizio	dn 16 mm (3/4") dn 21 mm (1")

Air supply must be dry enough to avoid ice formation at temperatures below +2°C (+35°F).

TYPES

- Operator: Air pilot / Return: Spring
- Operator: Air pilot / Return: Pilot

Modelli

- Azionamento: Pneumatico / Ritorno: Molla
- Azionamento: Pneumatico / Ritorno: Pneumatico

BUILDING MATERIALS	Materiali costruttivi
Body and end adapters in copper free aluminum alloy with epoxy painting	Corpo e adattatori terminali in alluminio esente rame con verniciatura epossidica
Spool in copper free aluminum alloy	Spola in alluminio esente rame
Screws and springs in stainless steel	Viti e molle in acciaio inossidabile
Gasket & seals in elastomer	Guarnizioni e tenute in elastomero

* Pending

BT-DP16AL/C21A

Overall dimension & pneumatic diaphragm

Dimensioni di ingombro e schema pneumatico

Operator: Air pilot / Return: Spring

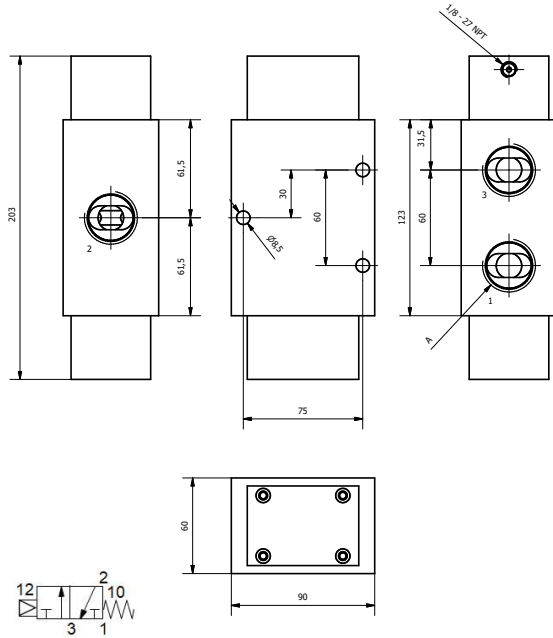
Azionamento: Pneumatico / Ritorno: molla

Example code:

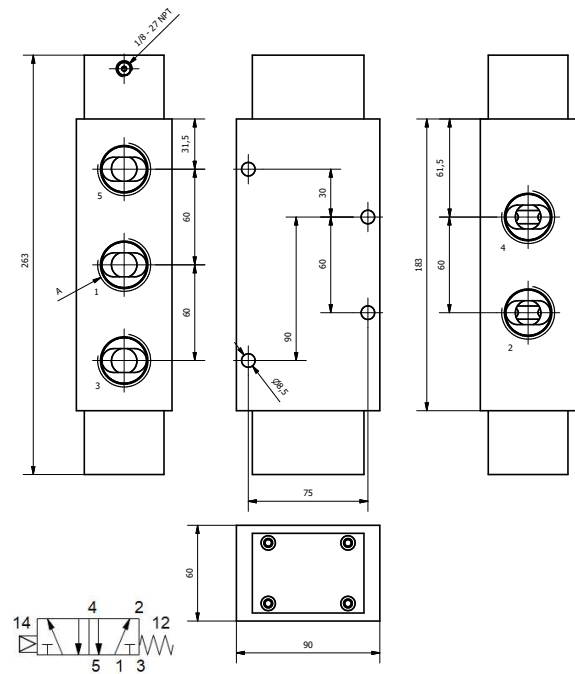
A= 3/4": DP3214NALNB

A= 1" : DP3216NALNB

3/2



5/2



Operator: Air pilot / Return: Pilot

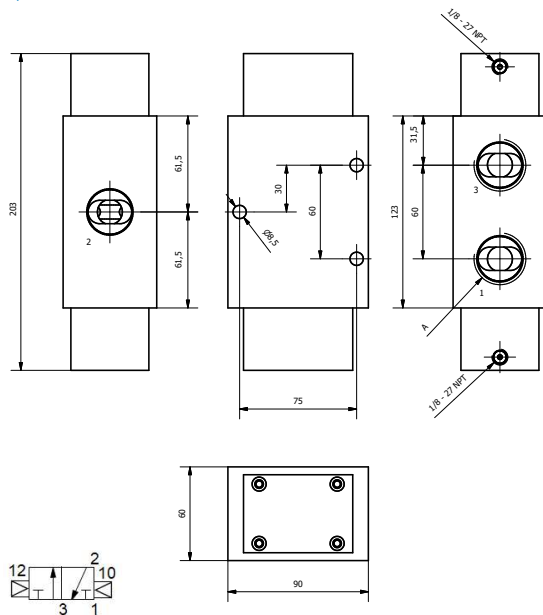
Azionamento: Pneumatico / Ritorno: pneumatico

Example code:

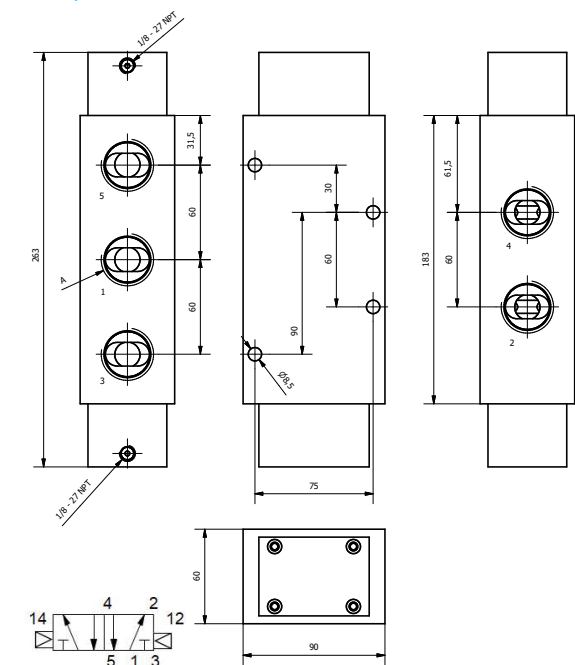
A= 3/4": DPP3214NALNB

A= 1" : DPP3216NALNB

3/2







5/2







AISI316L 1/4", 3/8", 1/2", 3/4" NPT directional control spool valves - DP serie

Valvole di controllo direzione a cassetto in AISI316L da 1/4", 3/8", 1/2", 3/4" NPT

- Suitable for automation equipment to onshore, offshore, pharmaceutical, medical and food applications
- Full material traceability
- 3/2 or 5/2 Functions
- 1/4" (DN8mm) & 3/8", 1/2", 3/4" (DN12mm) size
- SS316L/316 full construction
- Suitable for multidirectional flow
- Provided with through-holes in the body
- Suitable for dual pressure application
- Suitable for control and instrument gases
- High flow rate for the compact size of the valve
- ATEX 2014/34/UE  II 2G Ex h IIC T6/T5 Gb X
-  &  approved II 2D Ex h IIIC T85°C/T100°C Db X
- SIL 3 - IEC 61508 (pilot operated models) 



- Adatto per automazione in applicazioni marine, petrolchimiche, farmaceutiche, medicali e alimentari
- Completa rintracciabilità dei materiali
- Funzioni 3/2 e 5/2
- Taglie da 1/4" (DN 8mm) e 3/8", 1/2", 3/4" (DN12mm)
- Costruzione in AISI316L/AISI316
- Adatte per flussi multidirezionali
- Dotate di fori passanti sul corpo

- Idonee per gas di controllo e strumentale
- Alte portate per le dimensioni compatte della valvola
- Adatte per applicazioni con doppia pressione
- ATEX 2014/34/UE  II 2G Ex h IIC T6/T5 Gb X
II 2D Ex h IIIC T85°C/T100°C Db X
- Approvato  ed 
- SIL 3 - IEC61508 
(modelli con azionamento pneumatico)

Media / Fluido	Compressed air, inert gases, sweet and sour gases
Port thread / Conessioni	1/4"-3/8"-1/2"-3/4" NPT
Working Pressure Pressione di lavoro	-0.9 -10 bar
Minimum pilot pressure Pressione massima di pilotaggio	2.5bar
Working temperature / Temperatura di esercizio	-20°C up to 80°C (NBR); -25°C up to 90°C (FKM); -55°C + 90°C (HNBR)
Orefice/Orifizio	dn 8 mm (1/4") - dn 12 mm (3/8", 1/2", 3/4")

Air supply must be dry enough to avoid ice formation at temperatures below +2°C (+35°F).

TYPES

- Operator: Air ilot / Return: Spring
- Operator: Air ilot / Return: Spring + internal relief
- Operator: Air pilot / Return: Pilot
- Operator: Knob push-pull/ Return: Spring
- Operator: Knob push-pull/ Return: Knob push-pull
- Operator: Air pilot / Return: Spring (manual reset)
- Operator: Pilot & manual / Return: Spring (manual res.)
- Operator: Roller Lever / Return: Spring (only 1/4")

Modelli

- Azionamento: Pneumatico / Ritorno: Molla
- Azion.: Pneum. / Ritorno: Molla + polmonaz. interna
- Azionamento: Pneumatico / Ritorno: Pneumatico
- Azionamento: Pulsante / Ritorno: Molla
- Azionamento: Pulsante / Ritorno: Pulsante
- Azionamento: Pneumatico / Ritorno: Molla (manuale)
- Azionamento: Pneum.&manuale /Ritorno: Molla (manuale)
- Azionamento: Leva Rotella / Ritorno: Molla (solo 1/4")

BUILDING MATERIALS	Materiali costruttivi
Body, end adapters, spool in 316L stainless steel	Corpo, adattatori terminali e spola in acciaio inossidabile AISI316L
Screws and springs in stainless steel	Viti e molle in acciaio inossidabile
Gasket & seals in elastomer	Guarnizioni e tenute in elastomero

Operator: Air pilot / Return: Spring (with or without internal relief)

Azionamento: Pneumatico / Ritorno: molla (con o senza polmonazione interna)

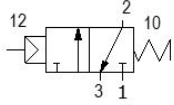
1/4" NPT Overall dimension & pneumatic diaphragm

Dimensioni di ingombro taglia 1/4"NPT

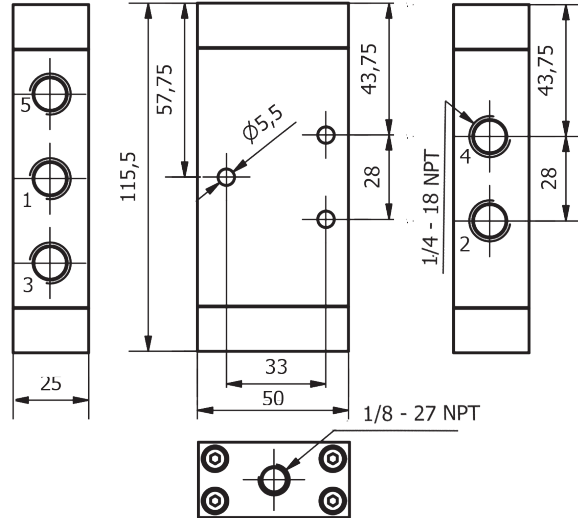
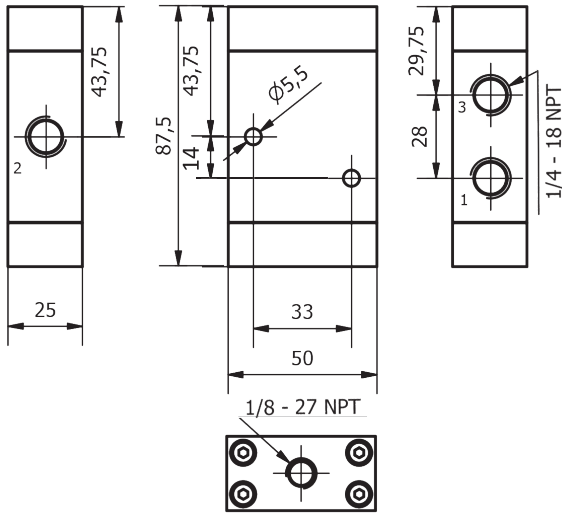
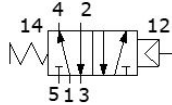
Example code:

DP3204NSSNB
DP3204NSSNB-IR

3/2



5/2



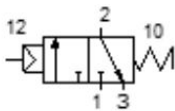
1/2" NPT Overall dimension & pneumatic diaphragm

Dimensioni di ingombro taglia 1/2"NPT

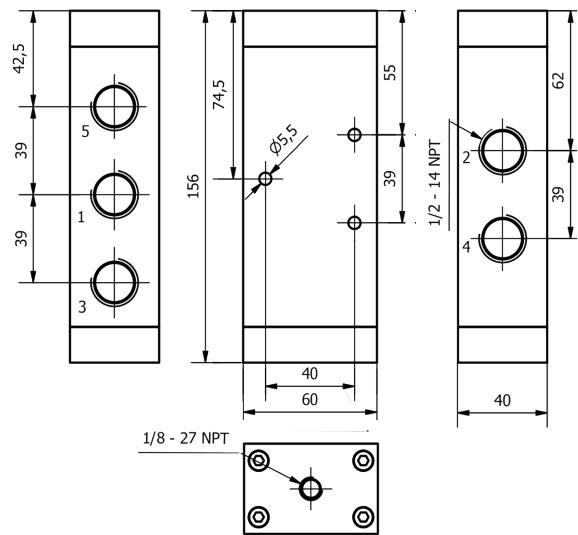
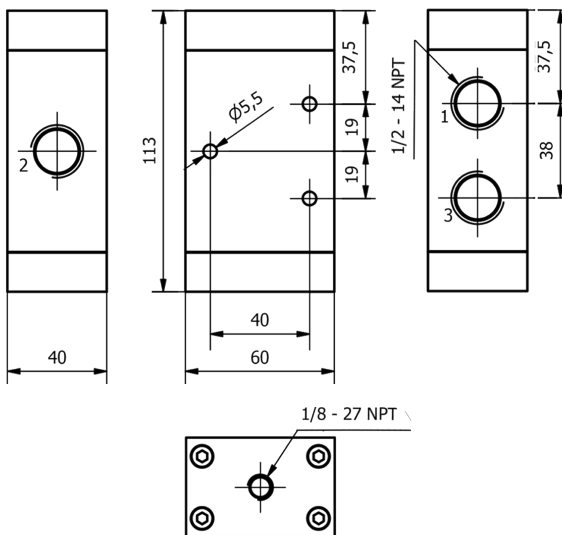
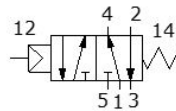
Example code:

DP3208NSSNB
DP3208NSSNB-IR

3/2



5/2



Operator: Air pilot / Return: Pilot

Azionamento: Pneumatico / Ritorno: pneumatico

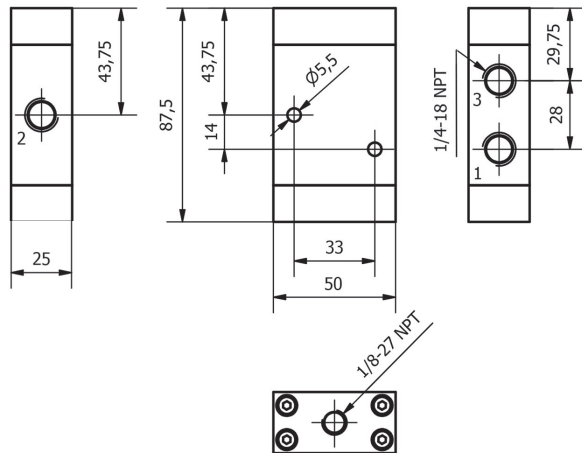
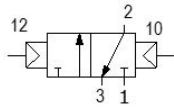
1/4" NPT Overall dimension & pneumatic diaphragm

Dimensioni di ingombro taglia 1/4"NPT

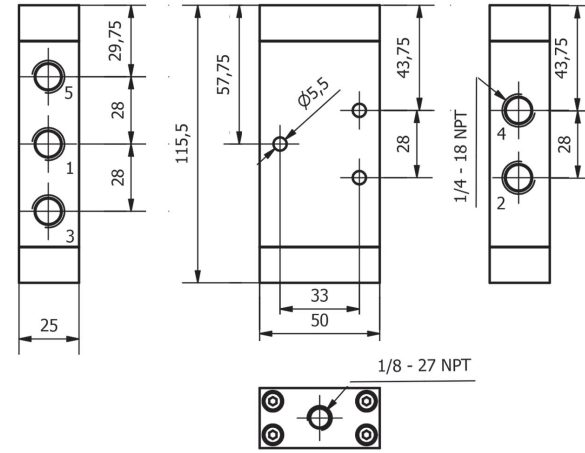
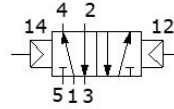
Example code:

DPP3204NSSNB

3/2



5/2



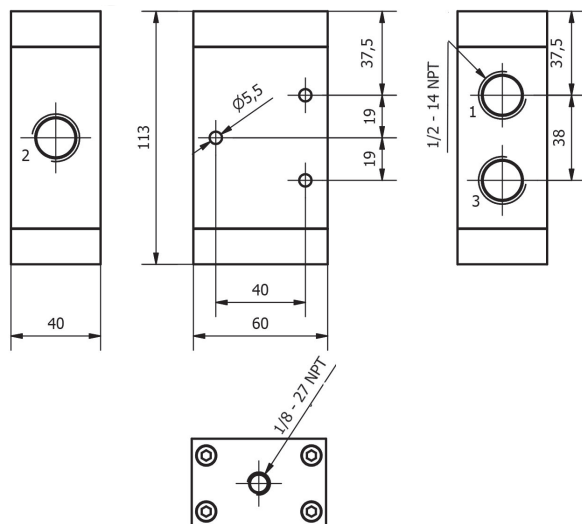
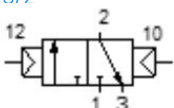
1/2" NPT Overall dimension & pneumatic diaphragm

Dimensioni di ingombro taglia 1/2"NPT

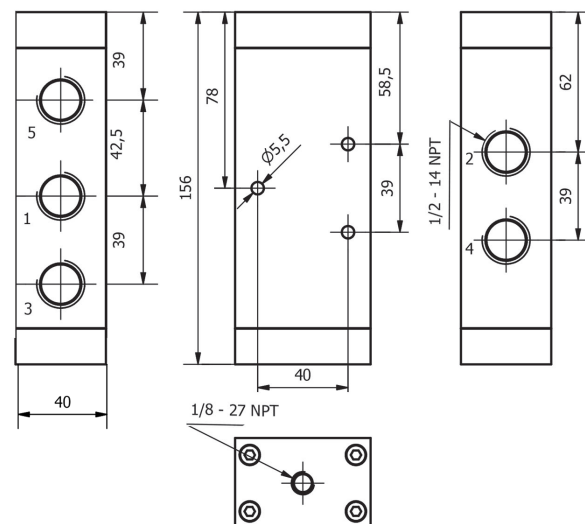
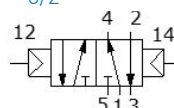
Example code:

DPP3208NSSNB

3/2



5/2



Operator: Knob push-pull / Return: Spring

Azionamento: Pulsante palmo / Ritorno: molla

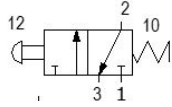
1/4" NPT Overall dimension & pneumatic diaphragm

Dimensioni di ingombro taglia 1/4"NPT

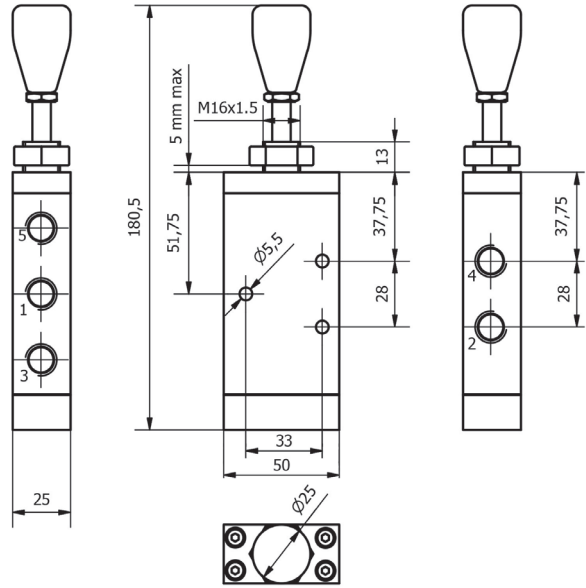
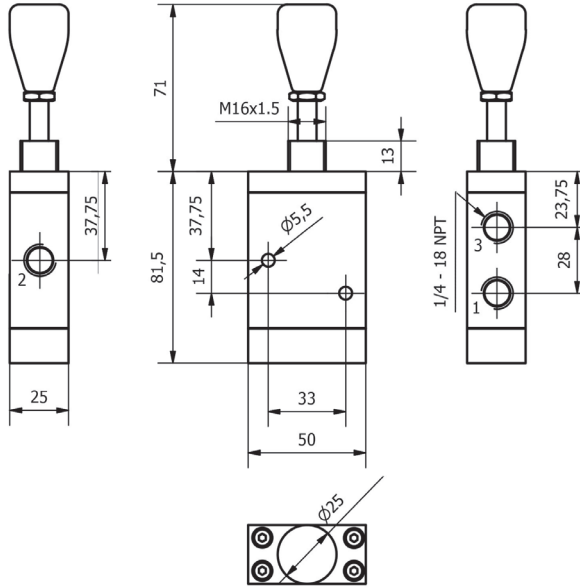
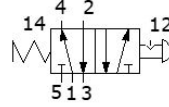
Example code:

DP3204NSSNB-M1

3/2



5/2



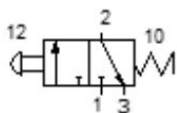
1/2" NPT Overall dimension & pneumatic diaphragm

Dimensioni di ingombro taglia 1/2"NPT

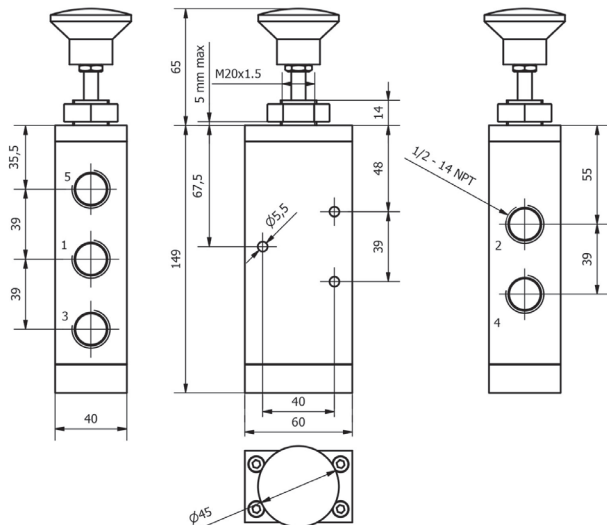
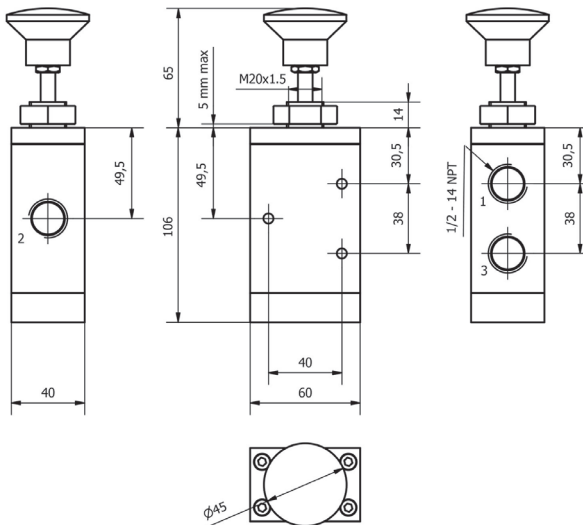
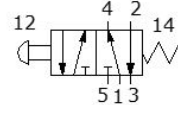
Example code:

DP3208NSSNB-M1

3/2



5/2



Operator: Knob push-pull/ Return: Knob push-pull

Azionamento: Pulsante palmo / Ritorno: pulsante palmo

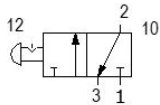
1/4" NPT Overall dimension & pneumatic diaphragm

Dimensioni di ingombro taglia 1/4"NPT

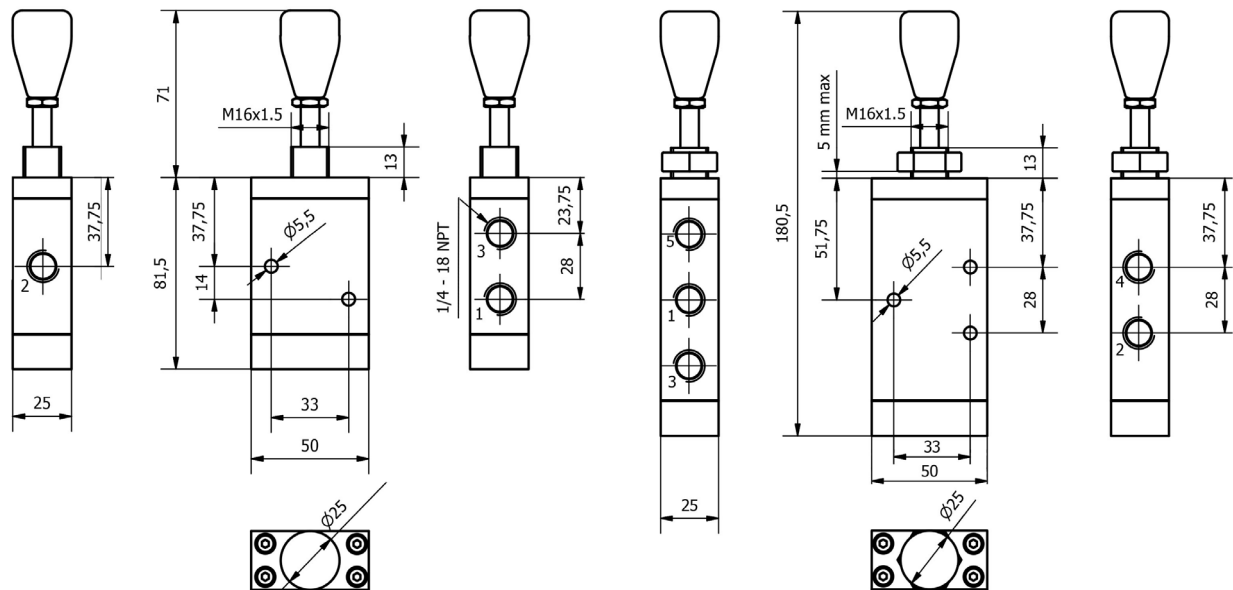
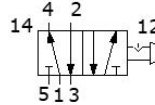
Example code:

DP3204NSSNB-M2

3/2



5/2



NB: Lockable version available

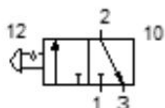
1/2" NPT Overall dimension & pneumatic diaphragm

Dimensioni di ingombro taglia 1/2"NPT

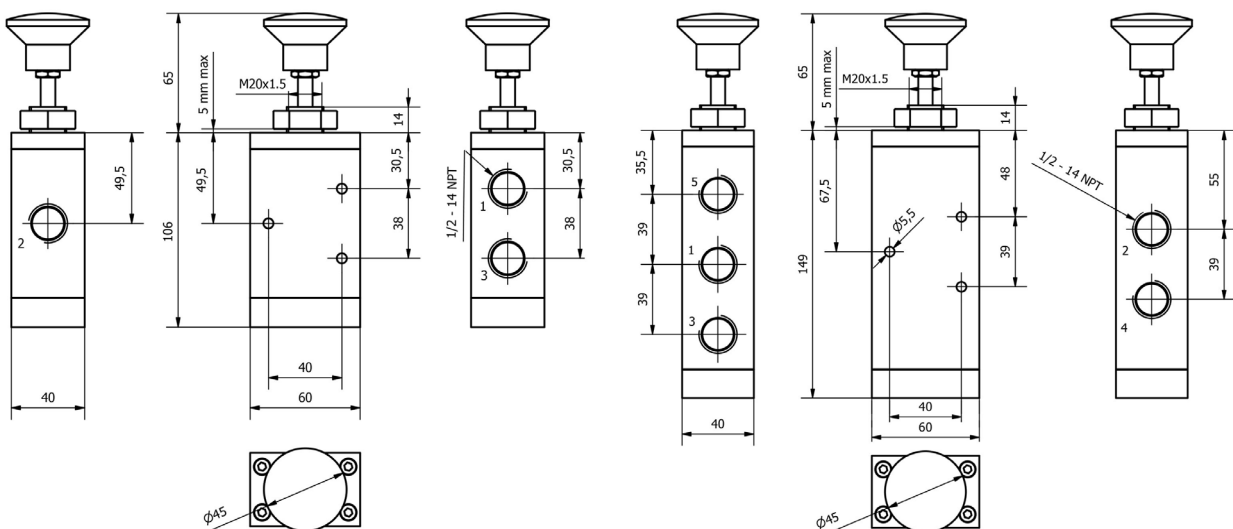
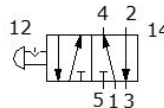
Example code:

DP3208NSSNB-M2

3/2



5/2



Operator: Air pilot / Return: Spring (manual reset)

Azionamento: Pneumatico / Ritorno: molla (riarmo manuale)

Automatic operation

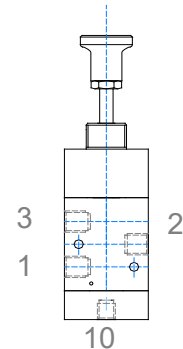
Funzionamento automatico

In the absence of a pilot signal 10, the valve joins together the connections 3 and 2, shutting off the connection 1. When the pilot signal acts upon the piston and moves the spindle to the end of the stroke, the connections 1 and 2 are joined together, while connection 3 is shut off. When the signal pilot ceases, a spring brings back the spindle to its initial position and the initial configuration is restored.

In assenza di segnale-pilota 10 la valvola pone in comunicazione gli attacchi 3 e 2 intercettando la connessione 1. Quando il segnale pilota agisce sul pistone e sposta la spoletta a fine corsa, sono posti in comunicazione gli attacchi 1 e 2 mentre l'attacco 3 è intercettato. Al cessare del segnale pilota, la molla spinge la spoletta nella posizione iniziale e ripristina la configurazione di partenza.

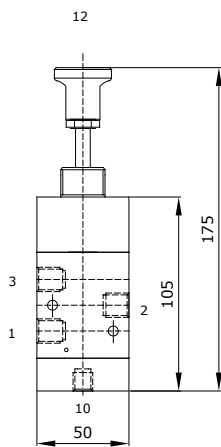
Example code:

DP3204NSSNB-RM

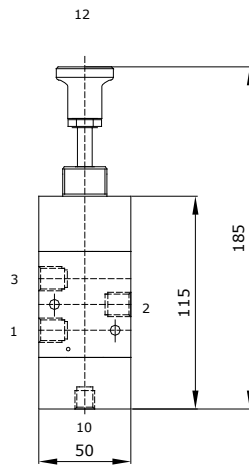


Overall dimension

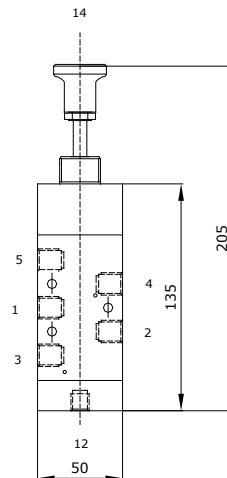
Dimensioni di ingombro



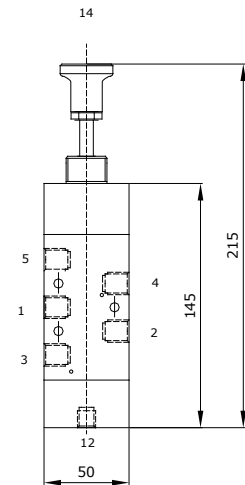
Pilot 3/2
Pneumatico 3/2



Manual Reset 3/2
Riarmo manuale 3/2



Pilot 5/2
Pneumatico 5/2



Manual Reset 5/2
Riarmo manuale 5/2

Operator: Air pilot & manual / Return: Spring (manual reset)

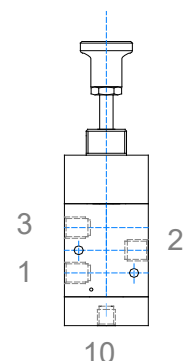
Azionamento: Pneumatico e manuale/ Ritorno: molla (riarmo manuale)

Example code:

DP3204NSSNB-RM1

The configuration is the same as in automatic operation, except that the presence of an actuating end caps with a piston prevents the action of the pilot signal without a previous manual reset by the operator. When the pilot signal is present at connection 10, the operator permits it to pass through by pulling the knob. The piston then moves the spindle to the end of the stroke, joining together the connections 1 and 2. When the pilot signal ceases, a spring brings back the spindle to its initial position, thus joining together the connections 2 and 3.

La configurazione è la stessa del funzionamento automatico ma la testata di azionamento con un pistone impedisce al segnale-pilota di agire senza l'intervento manuale dell'operatore. Quando il segnale pilota è presente all'attacco 10 e l'operatore, agendo sul pomolo, ne consente il transito, il pistone sposta la spoletta a fine corsa mettendo in comunicazione gli attacchi 1 e 2. Al cessare del segnale-pilota, la molla spinge la spoletta nella posizione iniziale mettendo in comunicazione gli attacchi 2 e 3.



Operator: Roller lever / Return: Spring

Azionamento: Leva rotella / Ritorno: molla

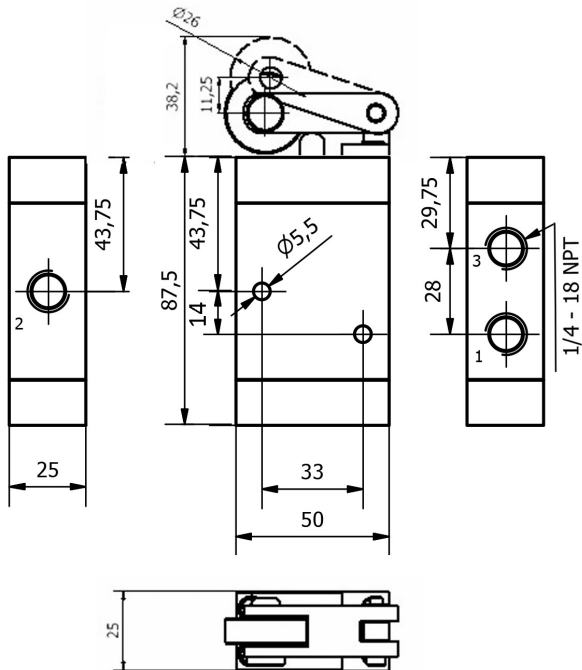
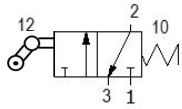
Overall dimension & pneumatic diaphragm

Dimensioni di ingombro

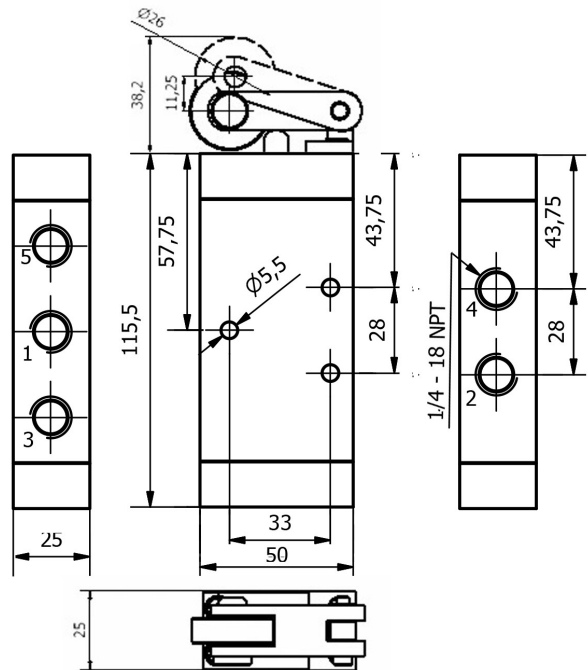
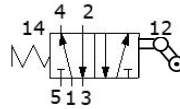
Example code:

DP3204NSSNB-W1

3/2



5/2



AISI316L 3/4", 1"NPT directional control spool valves - DP serie

Valvole di controllo a cassetto in AISI316L 3/4", 1"NPT - serie DP

www.sitecna.eu

- Suitable for automation equipment to onshore, offshore, pharmaceutical, medical and food applications
- Full material traceability
- 3/2 or 5/2 Functions
- 3/4" & 1" (DN21mm) size
- Suitable for multidirectional flow
- Provided with through-holes in the body
- Suitable for dual pressure application
- Suitable for control and instrument gases
- High flow rate for the compact size of the valve
- ATEX 2014/34/UE II 2G Ex h IIC T6/T5 Gb X*
- II 2D Ex h IIIC T85°C/T100°C Db X
- & approved*
- SIL 3 - IEC 61508 (pilot operated models) *



- Adatto per automazione in applicazioni marine, petrolchimiche, farmaceutiche, medicali e alimentari
- Completa rintracciabilità dei materiali
- Funzioni 3/2 e 5/2
- Taglie da 3/4" e 1" (DN21mm)
- Adatte per flussi multidirezionali
- Dotate di fori passanti sul corpo
- Idonee per gas di controllo e strumentale

- Alte portate per le dimensioni compatte della valvola
- Adatte per applicazioni con doppia pressione
- ATEX 2014/34/UE II 2G Ex h IIC T6/T5 Gb X*
- II 2D Ex h IIIC T85°C/T100°C Db X
- Approvato ed *
- SIL 3 - IEC61508 *
(modelli con azionamento pneumatico)

Media / Fluido	Compressed air, inert gases, sweet and sour gases
Port thread / Connessioni	3/4", 1"NPT
Working Pressure Pressione di lavoro	12 bar
Minimum pilot pressure Pressione minima di pilotaggio	2.5bar
Working temperature / Temperatura di esercizio	-20°C up to 80°C (NBR); -25°C up to 90°C (FKM); -55°C + 90°C (HNBR)
Orefice/Orifizio	dn 16 mm (3/4") dn 21 mm (1")

Air supply must be dry enough to avoid ice formation at temperatures below +2°C (+35°F).

TYPES

- Operator: Air pilot / Return: Spring
- Operator: Air pilot / Return: Pilot

Modelli

- Azionamento: Pneumatico / Ritorno: Molla
- Azionamento: Pneumatico / Ritorno: Pneumatico

BUILDING MATERIALS	Materiali costruttivi
Body, end adapters, spool in 316L stainless steel	Corpo, adattatori terminali e spola in acciaio inossidabile AISI316L
Screws and springs in stainless steel	Viti e molle in acciaio inossidabile
Gasket & seals in elastomer	Guarnizioni e tenute in elastomero

* Pending

BT-DP16SS/C21A

Overall dimension & pneumatic diaphragm

Dimensioni di ingombro e schema pneumatico

Operator: Air pilot / Return: Spring

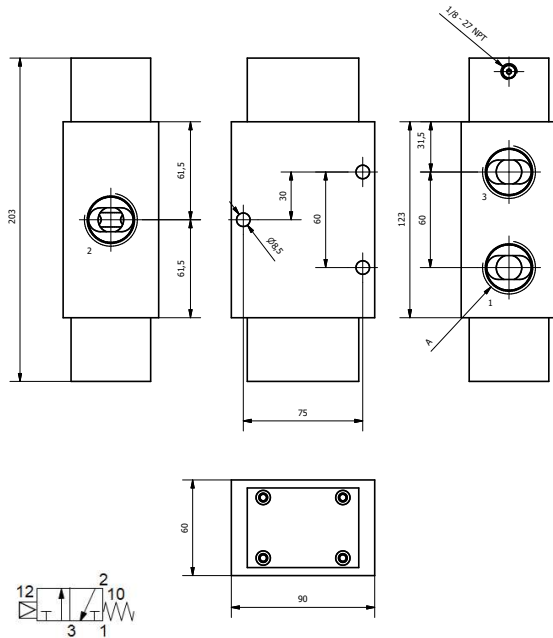
Azionamento: Pneumatico / Ritorno: molla

Example code:

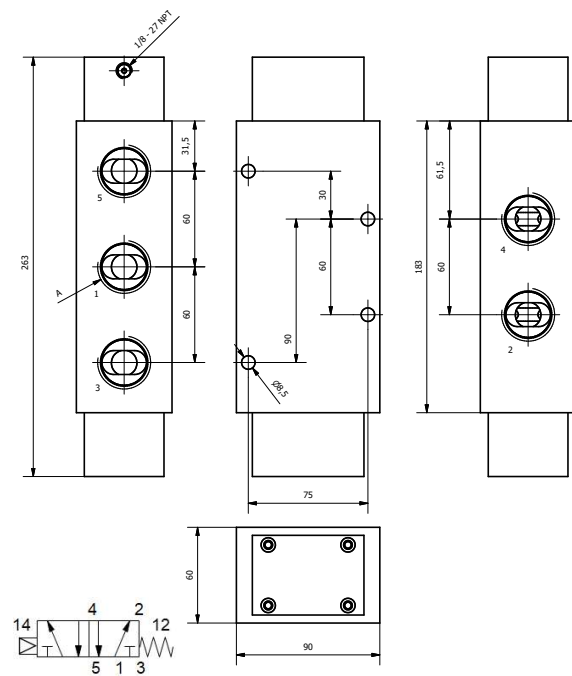
A= 3/4" : DP3214NSSNB

A= 1" : DP3216NSSNB

3/2



5/2



Operator: Air pilot / Return: Pilot

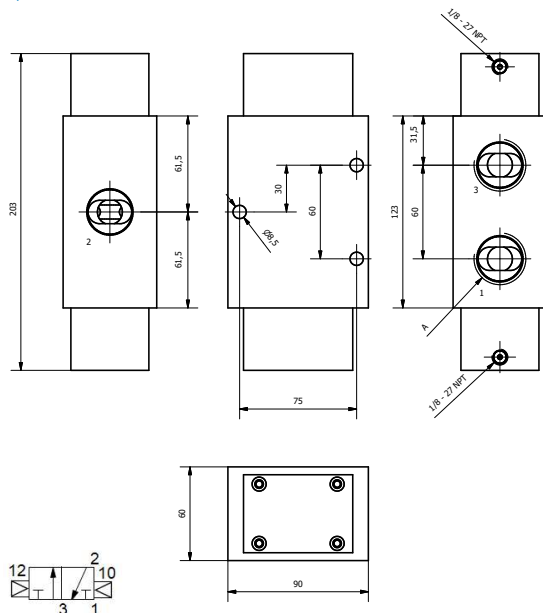
Azionamento: Pneumatico / Ritorno: pneumatico

Example code:

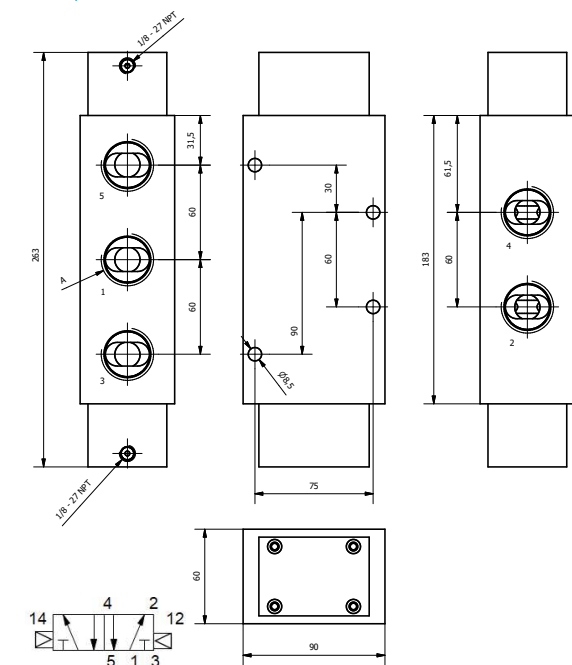
A= 3/4" : DPP3214NSSNB

A= 1" : DPP3216NSSNB

3/2



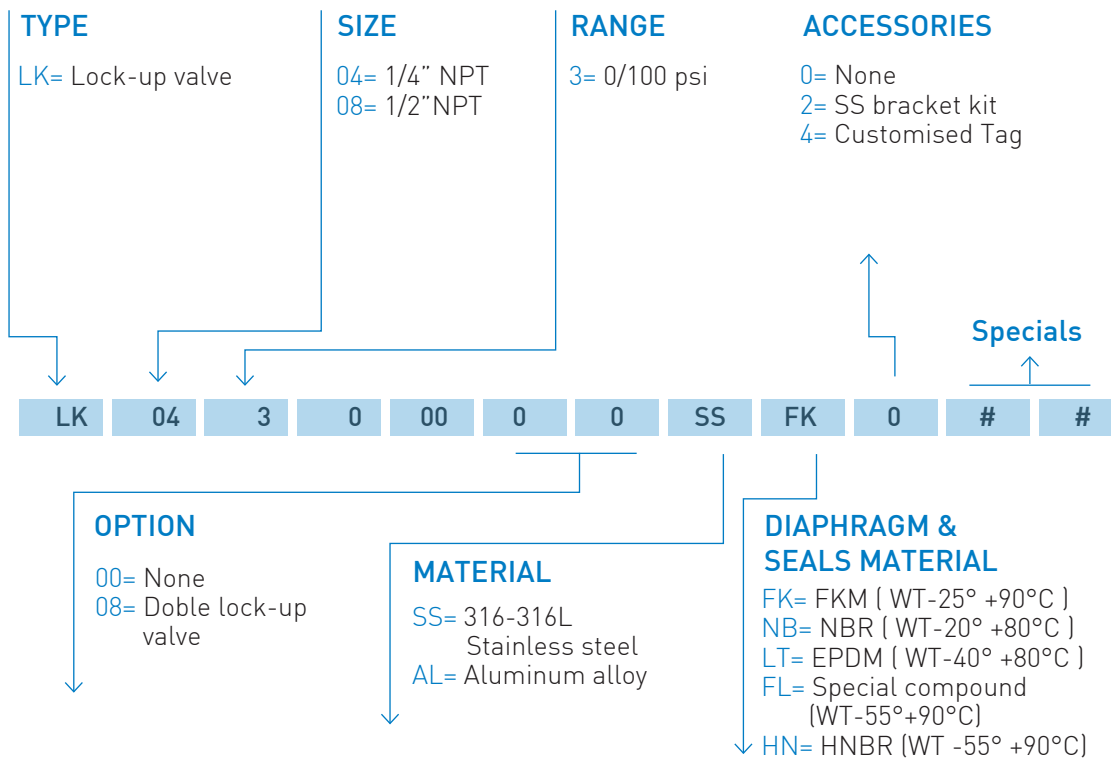
5/2



www.sitecna.eu

Ordering information

Come ordinare



CODE EXAMPLES

LK	08	3	0	00	0	0	SS	FK	0		
----	----	---	---	----	---	---	----	----	---	--	--

1/2" NPT, SS316L, Single Lock up valve, with FKM diaphragm & seals, Cv0.9, WT -25°C to 90°C, with SS bracket

Valvola di lock-up singola da 1/4" NPT in AISI316L con diaframma e tenute in FKM, Cv 0.9, temperatura di lavoro da -25°C a +90°C

LK	04	3	0	00	0	8	AL	LT	2		
----	----	---	---	----	---	---	----	----	---	--	--

1/4" NPT, Epoxy painted aluminium alloy + SS304 or 316L, Double lock up valve with EPDM diaphragm & seals, CV 0.9, WT -40°C to +80°C, with SS bracket

Valvola di lock-up doppia da 1/4" NPT in lega di alluminio con verniciatura epossidica + AISI304-316L con diaframma e tenute in EPDM, Cv 0.9, temperatura di lavoro da -40°C a +80°C, con staffa inox



01-LK/C20A

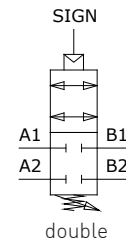
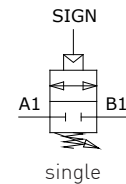
Copper free aluminium alloy 1/4" NPT lock-up valves – LK serie

Valvole di lock-up da 1/4" NPT in lega di alluminio esente rame – serie LK

www.sitecna.eu

- Suitable for automation equipment to onshore, offshore, pharmaceutical, medical and food applications
- Full material traceability
- Excellent stability and repeatability
- Accurate adjustment and high flow capacity
- Single or double locking possibility
- ATEX 2014/34/UE II 2G Ex h IIC T6/T5 Gb X
II 2D Ex h IIIC T85°C/T100°C Db X
- & approved

- Adatto per automazione in applicazioni marine, petrolchimiche, farmaceutiche, medicali e alimentari
- Completa rintracciabilità dei materiali
- Eccellente stabilità e ripetibilità
- Precise regolazioni ed elevate portate
- Possibilità di blocco singolo o doppio
- ATEX 2014/34/UE II 2G Ex h IIC T6/T5 Gb X
II 2D Ex h IIIC T85°C/T100°C Db X
- Approvato ed



Media / Fluido	Compressed air, inert gases, sweet and sour gases
Port thread / Conessioni	1/4" NPT
Signal connection Connessione segnale	1/4" NPT
Max supply pressure Pressione massima di ingresso	10bar
Max signal/output pressure Pressione massima segnale/uscita	7bar
Flow rate (Cv)/Portata	0.9 (1/4")
Working temperature / Temperatura di esercizio	-20°C up to 80°C (NBR); -25°C up to 90°C (FKM); -40°C up to 80°C (EPDM); -55° up tp 90°C (FVMQ)*
Sensibility/Sensibilità	0.1bar
Max lock-up pressure Massima pressione di intervento	7bar

Air supply must be dry enough to avoid ice formation at temperatures below +2°C (+35°F).

*Special version in HNBR (WT -55° +90°C)

It provides reliable shut down & isolation from control devices of the actuator whenever air pressure falls below operating safety point. Rugged and corrosion-resistant – made of aluminum alloy and SS AISI304/316L - Compact small package size – light weight
 Permette affidabile intercettazione ed esclusione dell'attuatore quando la pressione dell'aria scende al di sotto del livello minimo operativo. Robusto e resistente alla corrosione – Costruito lega di alluminio ed AISI304/316L - Dimensioni di ingombro ridotte – Leggero

BUILDING MATERIALS	Materiali costruttivi
Body, spacer, top in epoxy painted copper free aluminum alloy	Corpo, distanziale, coperchio in lega di alluminio esente rame con verniciatura epossidica
Internals, bracket, lock and panel nuts, fixing screws in stainless steel	Vite di regolazione, staffa, dadi di bloccaggio e pannello, viti di fissaggio in acciaio inossidabile
Diaphragms & seals in elastomer	Diaframmi e guarnizioni in elastomero

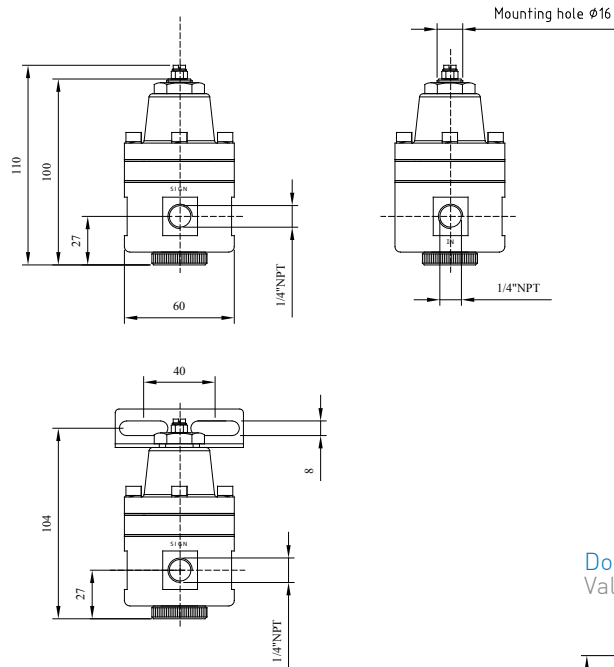
BT-LK04AL/C20A

Overall dimension

Dimensioni di ingombro

Single Lock-up valve

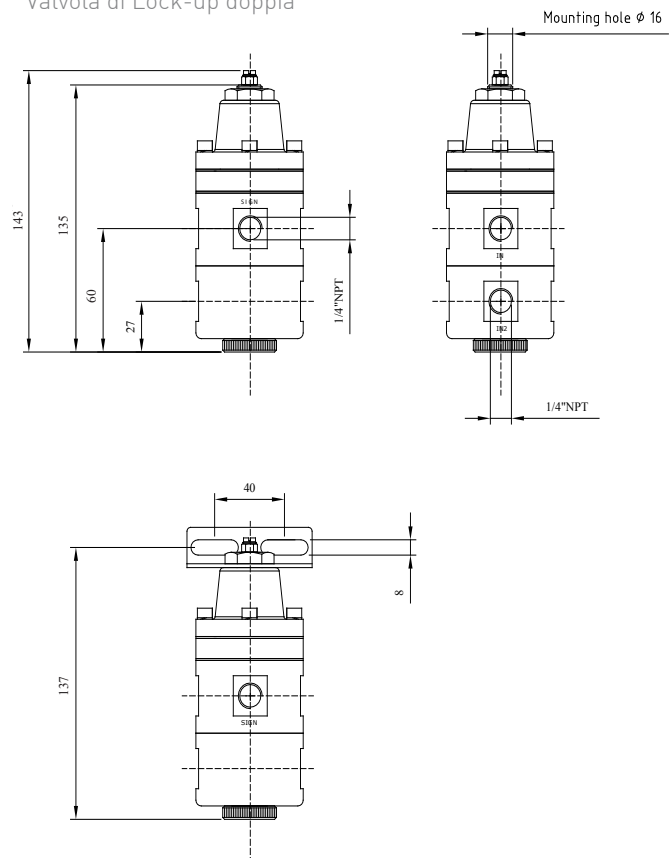
Valvola di Lock-up singola



LK04 A=1/4"

Double Lock-up valve

Valvola di Lock-up doppia



Accessories

Accessor

Bracket /Staffa	SQ-FR04
-----------------	---------

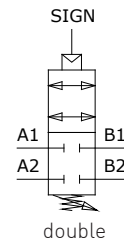
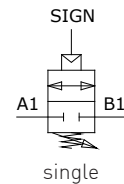
Copper free aluminium alloy 3/8", 1/2", 3/4" NPT lock-up valves – LK serie

Valvole di lock-up da 3/8", 1/2", 3/4" NPT in lega di alluminio esente rame – serie LK

www.sitecna.eu

- Suitable for automation equipment to onshore, offshore, pharmaceutical, medical and food applications
- Full material traceability
- Excellent stability and repeatability
- Accurate adjustment and high flow capacity
- Single or double locking possibility
- ATEX 2014/34/UE II 2G Ex h IIC T6/T5 Gb X
II 2D Ex h IIIC T85°C/T100°C Db X

- Adatto per automazione in applicazioni marine, petrolchimiche, farmaceutiche, medicali e alimentari
- Completa rintracciabilità dei materiali
- Eccellente stabilità e ripetibilità
- Precise regolazioni ed elevate portate
- Possibilità di blocco singolo o doppio
- ATEX 2014/34/UE II 2G Ex h IIC T6/T5 Gb X
II 2D Ex h IIIC T85°C/T100°C Db X



Media / Fluido	Compressed air, inert gases, sweet and sour gases
Port thread / Connessioni	3/8", 1/2", 3/4" NPT
Pilot connection Connessione pilotaggio	1/4" NPT
Signal connection Connessione segnale	1/8" NPT
Working pressure Pressione di lavoro	-0.9 - 10 bar
Max signal/output pressure Pressione massima segnale/uscita	7 bar
Working temperature / Temperatura di esercizio	-20°C up to 80°C (NBR); -25°C up to 90°C (FKM); -40°C up to 80°C (EPDM); -55° up tp 90°C (FVMQ)*
Upward adjustment/ Sensibilità in salita	1 bar
Downward adjustment/ Sensibilità in discesa	0,5 bar
Max lock-up pressure Massima pressione di intervento	7 bar

Air supply must be dry enough to avoid ice formation at temperatures below +2°C (+35°F).

***Special version in HNBR (WT -55° +90°C)**

It provides reliable shut down & isolation from control devices of the actuator whenever air pressure falls below operating safety point. Rugged and corrosion-resistant – made of aluminum alloy and SS AISI304/316L - Compact small package size – light weight
 Permette affidabile intercettazione ed esclusione dell'attuatore quando la pressione dell'aria scende al di sotto del livello minimo operativo. Robusto e resistente alla corrosione – Costruito lega di alluminio ed AISI304/316L - Dimensioni di ingombro ridotte – Leggero

BUILDING MATERIALS	Materiali costruttivi
Body, bonnet, end plate of switch valve, nipple in AISI316	Corpo, tazza superiore, piattello switch valve, nipplo in AISI316
Body, heads of spool valves in painted copper free aluminum alloy	Corpo e testate spool valves in alluminio esente rame verniciato
Internals, lock and panel nuts, fixing screws in stainless steel	Vite di regolazione, dadi di bloccaggio e pannello, viti di fissaggio in acciaio inossidabile
Diaphragms & seals in elastomer	Diaframmi e guarnizioni in elastomero

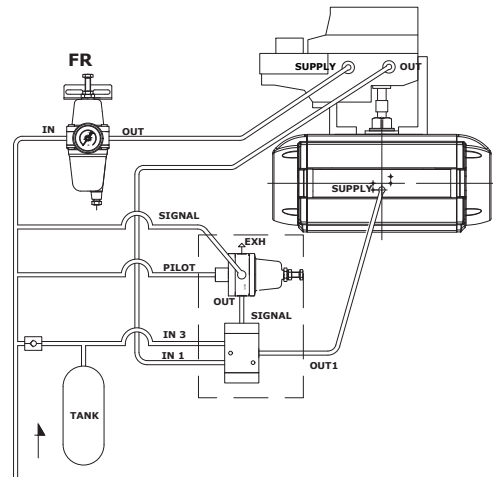
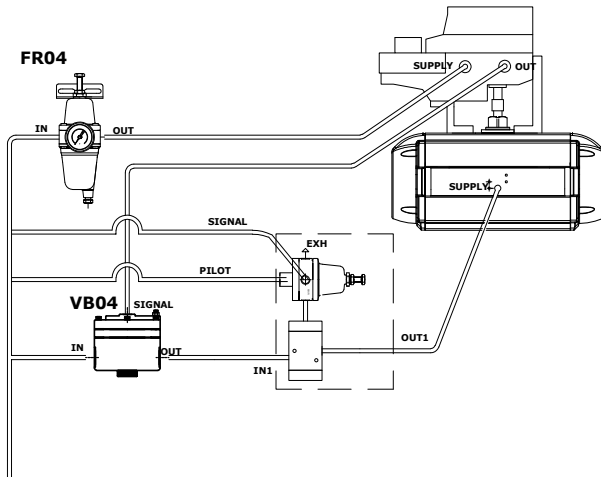
BT-LK08AL/C20A

Application examples for LK08

Esempi di applicazione del LK08

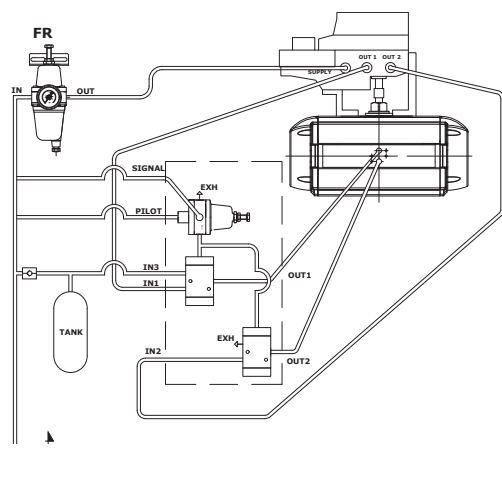
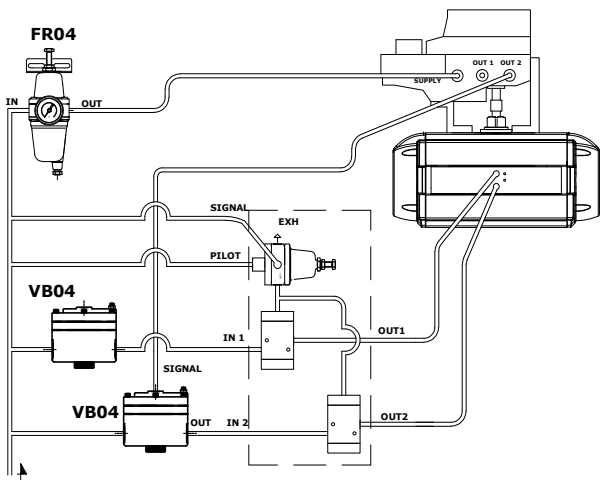
Single actuating actuator

Attuatore a singolo effetto






Double actuating actuator




Attuatore a doppio effetto

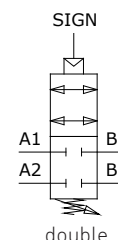
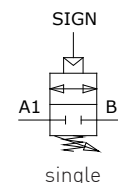


SS316L 1/4" NPT lock-up valves – LK serie

Valvole di lock-up da 1/4" NPT in AISI316L – serie LK

- Suitable for automation equipment to onshore, offshore, pharmaceutical, medical and food applications
- Full material traceability
- Excellent stability and repeatability
- Accurate adjustment and high flow capacity
- Single or double locking possibility
- ATEX 2014/34/UE  II 2G Ex h IIC T6/T5 Gb X
-  &  approved II 2D Ex h IIIC T85°C/T100°C Db X

- Adatto per automazione in applicazioni marine, petrolchimiche, farmaceutiche, medicali e alimentari
- Completa rintracciabilità dei materiali
- Eccellente stabilità e ripetibilità
- Precise regolazioni ed elevate portate
- Possibilità di blocco singolo o doppio
- ATEX 2014/34/UE  II 2G Ex h IIC T6/T5 Gb X
- Approvato  ed  II 2D Ex h IIIC T85°C/T100°C Db X



Media / Fluido	Compressed air, inert gases, sweet and sour gases
Port thread / Connessioni	1/4" NPT
Signal Connection Connessione segnale	1/4" NPT
Max supply pressure Pressione massima di ingresso	10bar
Max signal/output pressure Pressione massima segnale/uscita	7bar
Flow rate (Cv)/Portata	0.9 (1/4")
Working temperature / Temperatura di esercizio	-20°C up to 80°C (NBR); -25°C up to 90°C (FKM); -40°C up to 80°C (EPDM); -55° up to 90°C (FVMQ)*
Sensibility/Sensibilità	0.1bar
Max Lock up pressure Massima pressione di intervento	7bar

Air supply must be dry enough to avoid ice formation at temperatures below +2°C (+35°F).

*Special version in HNBR (WT -55° +90°C)

It provides reliable shut down & isolation from control devices of the actuator whenever air pressure falls below operating safety point. Rugged and corrosion-resistant – made in SS316L - Compact small package size – light weight

Permette affidabile intercettazione ed esclusione dell'attuatore quando la pressione dell'aria scende al di sotto del livello minimo operativo. Robusto e resistente alla corrosione – Costruito completamente in AISI316L - Dimensioni di ingombro ridotte – Leggero

BUILDING MATERIALS	Materiali costruttivi
Body, spacer, top in SS316L stainless steel	Corpo, distanziale, coperchio in acciaio inossidabile AISI316/316L
Internals, bracket, lock and panel nuts, fixing screws in stainless steel	Vite di regolazione, staffa, dadi di bloccaggio e pannello, viti di fissaggio in acciaio inossidabile
Diaphragms & seals in elastomer	Diaframmi e guarnizioni in elastomero

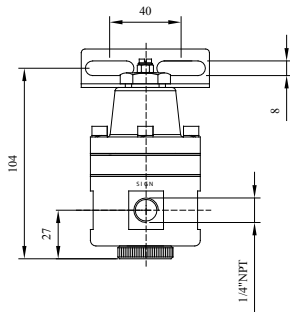
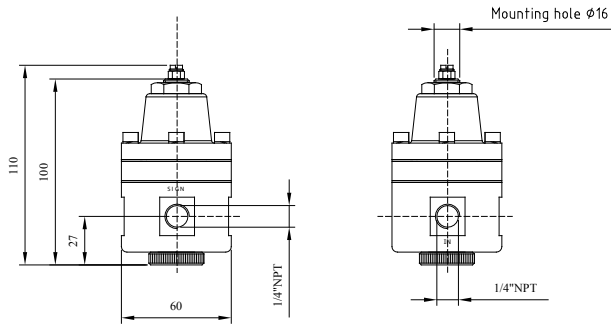
www.sitecna.eu

Overall dimension

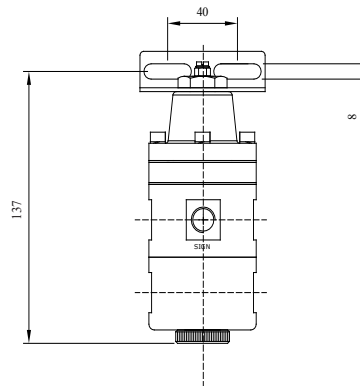
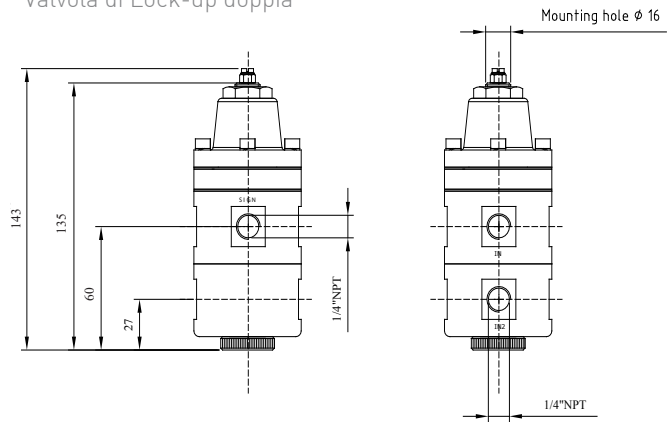
Dimensioni di ingombro

Single Lock-up valve
Valvola di Lock-up singola

LK04 A=1/4"



Double Lock-up valve
Valvola di Lock-up doppia



Accessories


Accessor


Bracket /Staffa	SQ-FR04
-----------------	---------

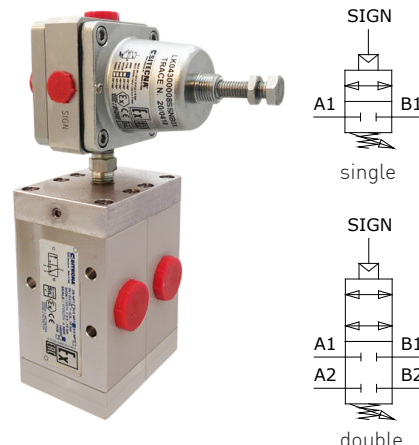
BT-LK04SS/C20B

SS316L 3/8", 1/2", 3/4" NPT lock-up valves – LK serie

Valvole di lock-up da 3/8", 1/2", 3/4" NPT in AISI316L – serie LK

- Suitable for automation equipment to onshore, offshore, pharmaceutical, medical and food applications
- Full material traceability
- Excellent stability and repeatability
- Accurate adjustment and high flow capacity
- Single or double locking possibility
- ATEX 2014/34/UE  II 2G Ex h IIC T6/T5 Gb X
II 2D Ex h IIIC T85°C/T100°C Db X

- Adatto per automazione in applicazioni marine, petrolchimiche, farmaceutiche, medicali e alimentari
- Completa rintracciabilità dei materiali
- Eccellente stabilità e ripetibilità
- Precise regolazioni ed elevate portate
- Possibilità di blocco singolo o doppio
- ATEX 2014/34/UE  II 2G Ex h IIC T6/T5 Gb X
II 2D Ex h IIIC T85°C/T100°C Db X



Media / Fluido	Compressed air, inert gases, sweet and sour gases
Port thread / Connessioni	3/8", 1/2", 3/4" NPT
Pilot connection Connessione pilotaggio	1/4" NPT
Signal connection Connessione segnale	1/8" NPT
Working pressure Pressione di lavoro	-0.9 - 10 bar
Max signal/output pressure Pressione massima segnale/uscita	7 bar
Working temperature / Temperatura di esercizio	-20°C up to 80°C (NBR); -25°C up to 90°C (FKM); -40°C up to 80°C (EPDM); -55° up to 90°C (FVMQ)*
Upward adjustment/ Sensibilità in salita	1 bar
Downward adjustment/ Sensibilità in discesa	0,5 bar
Max lock-up pressure Massima pressione di intervento	7 bar

Air supply must be dry enough to avoid ice formation at temperatures below +2°C (+35°F).

*Special version in HNBR (WT -55° +90°C)

It provides reliable shut down & isolation from control devices of the actuator whenever air pressure falls below operating safety point. Rugged and corrosion-resistant – made in SS316L - Compact small package size – light weight

Permette affidabile intercettazione ed esclusione dell'attuatore quando la pressione dell'aria scende al di sotto del livello minimo operativo. Robusto e resistente alla corrosione – Costruito completamente in AISI316L - Dimensioni di ingombro ridotte – Leggero

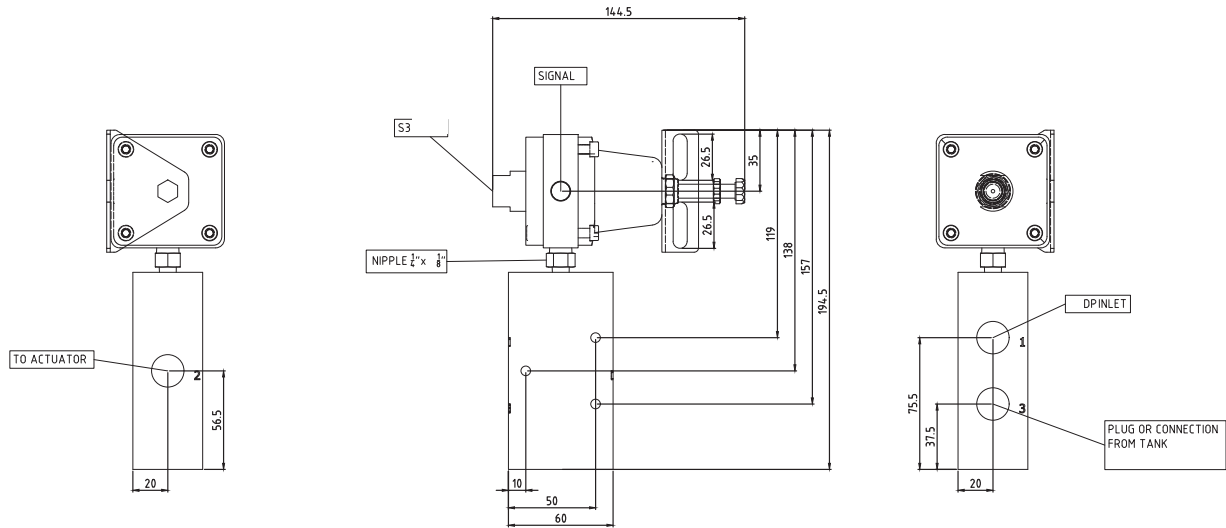
BUILDING MATERIALS	Materiali costruttivi
Body, bonnet, end plate of switch valve, Body, heads of spool valves nipple in AISI316	Corpo, tazza superiore, piattello switch valve, Corpo e testate spool valves. nipplo in AISI316
Internals, lock and panel nuts, fixing screws in stainless steel	Vite di regolazione, dadi di bloccaggio e pannello, viti di fissaggio in acciaio inossidabile
Diaphragms & seals in elastomer	Diaframmi e guarnizioni in elastomero

Overall dimension

Dimensioni di ingombro

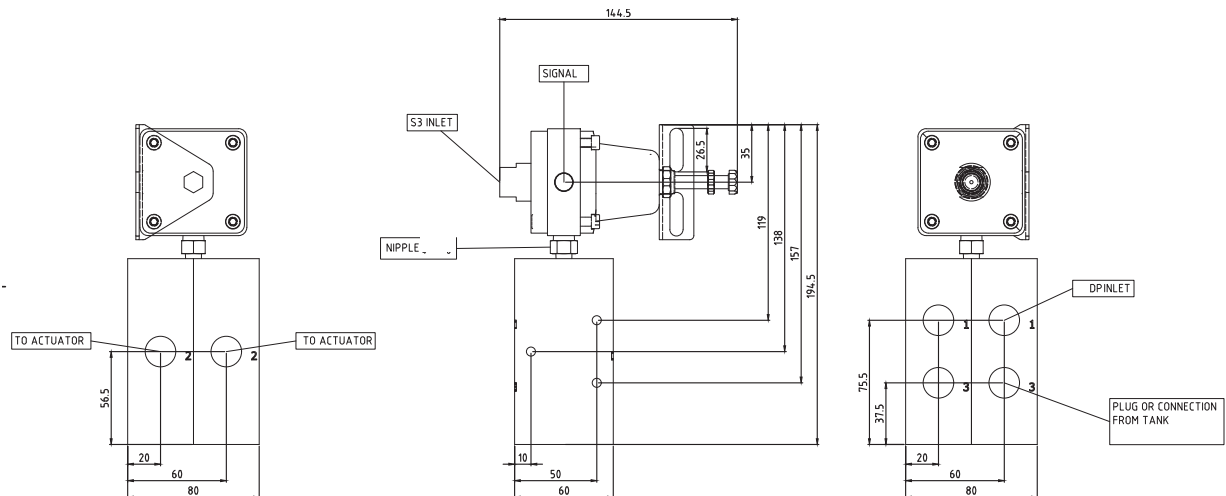
Single Lock-up valve

Valvola di Lock-up singola



Double Lock-up valve

Valvola di Lock-up doppia

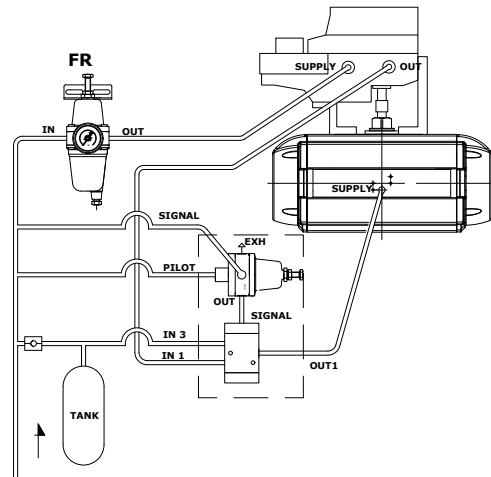
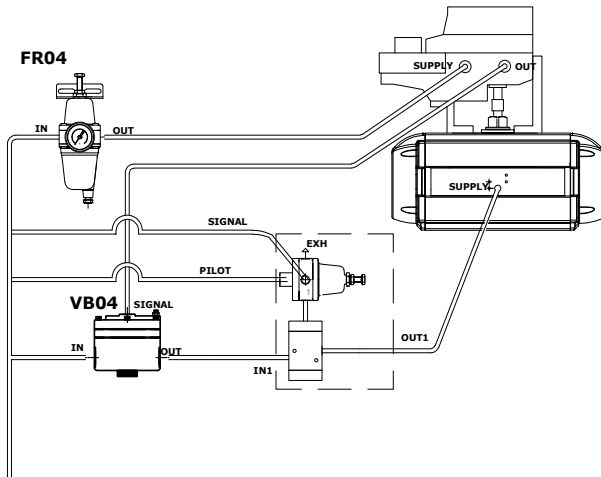


Application examples for LK08

Esempi di applicazione del LK08

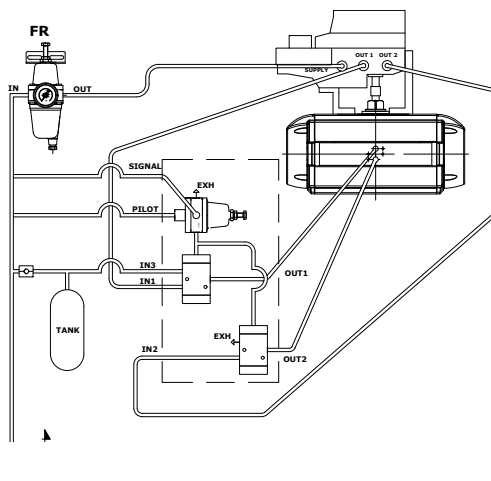
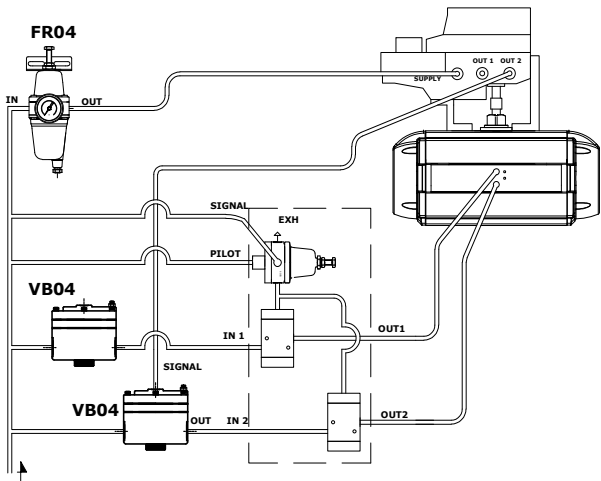
Single actuating actuator

Attuatore a singolo effetto



Double actuating actuator

Attuatore a doppio effetto



BT-LK08SS/C20C

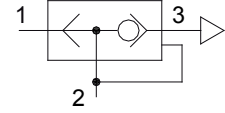
Copper free aluminum alloy quick exhaust valves - VSR serie





Valvole di scarico rapido in alluminio esente rame - serie VSR

Enables air to be exhausted quickly from air reservoirs and cylinders allowing higher cylinder speeds to be achieved. Simple, compact design and construction that grants for reliability in operations . Body in copper free aluminum alloy allows the use in environment with corrosive environments.

Choice of plastic materials make this product suitable for a wide range of working temperatures. Valves can be used in every position , but for a prompt fluid discharge it is suggested to connect them as near as possible to the cylinder.

Connection 1 is air inlet , connection 2 is air use and connection 3 is the exhaust.



- ATEX 2014/34/UE  II 2G Ex h IIC T6/T5 Gb X
-  &  approved II 2D Ex h IIIC T85°C/T100°C Db X
- SIL 3 - IEC 61508 

Consentono un rapido scarico dell'aria da serbatoi e cilindri permettendo il raggiungimento di elevate velocità del cilindro.

Sistema e struttura semplici e compatti garantiscono un funzionamento altamente affidabile. Il corpo in alluminio esente rame consente l'utilizzo in ambienti corrosivi.

La scelta di differenti materiali plastici rendono utilizzabile questo prodotto in un'ampia gamma di temperature. Le valvole possono essere montate in qualunque posizione, ma per un'efficace evacuazione devono essere piazzate il più vicino possibile al cilindro.

La connessione 1 serve per l'alimentazione, la due è l'utilizzo e la 3 è lo scarico.

ATEX 2014/34/UE  II 2G Ex h IIC T6/T5 Gb X
II 2D Ex h IIIC T85°C/T100°C Db X

- Approvato  ed 
- Approvato SIL 3 - IEC 61508 

Technical features:

Caratteristiche tecniche:

- **Medium : compressed air or inert gases, filtered, lubricated and non lubricated**

Fluido : aria compressa o gas inerti, filtrata, lubrificata e non lubrificata

- **Operating pressure : 2/12bar - special execution available 18bar**

Pressione d'esercizio : 2/12bar - disponibile esecuzione speciale 18bar

- **Operating temperature : -20°C up to 80°C (NBR); -25°C up to 90°C (FKM);
-40°C up to 80°C (EPDM); -55°C up to 90°C (FVMQ / HNBR)**

Temperatura di esercizio: -20°C + 80°C (NBR); -25°C + 90°C (FKM)

-40°C + 80°C (EPDM); -55°C + 90°C (FVMQ / HNBR)

- **Materials : Body aluminum alloy; Element in PU or low temperature PU**

Materiali : Corpo in alluminio; elemento in PU o PU a bassa temperatura

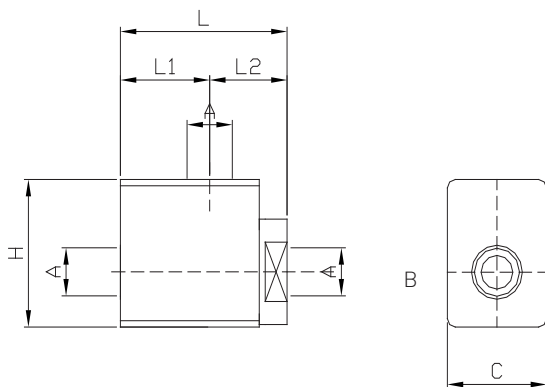
MODEL MODELLO	THREAD FILETTO	Dn mm	ELEMENT MATERIALE	WP PN	CV IN	CV OUT
VSR02NAL*	1/8" NPT	8	PU or LT PU	2-12BAR	-	-
VSR04NAL*	1/4" NPT	8	PU or LT PU	2-12BAR	1.2	2.0
VSR06NAL*	3/8" NPT	10	PU or LT PU	2-12BAR	3.6	6.9
VSR08NAL*	1/2" NPT	12	PU or LT PU	2-12BAR	4.3	6.9
VSR12NAL*	3/4" NPT	19	PU or LT PU	2-12BAR	10.0	11.3
VSR16NAL*	1" NPT	19	PU or LT PU	2-12BAR	10.5	15.7

*Refers to seals type. Add:
FK→FKM NB→NBR LT→EPDM FL→FVMQ HN→HNBR

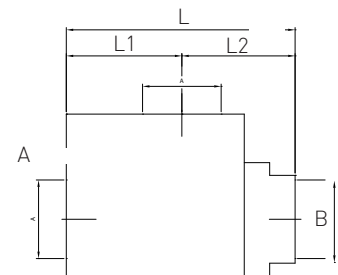
Overall dimension

Dimensioni di ingombro

VSR02, VSR04



VSR06, VSR08, VSR12, VSR16



MODEL MODELLO	THREAD FILETTO	B	L mm	L1 mm	L2 mm	H mm	C mm
VSR02NAL*	1/8" NPT	1/4" NPT	42	22,5	19,5	35	25
VSR04NAL*	1/4" NPT	1/4" NPT	42	22,5	19,5	35	25
VSR06NAL*	3/8" NPT	1/2" NPT	56	33	23	53	40
VSR08NAL*	1/2" NPT	1/2" NPT	56	33	23	53	40
VSR12NAL*	3/4" NPT	3/4" NPT	99	50	49	70	49
VSR16NAL*	1" NPT	1" NPT	99	50	49	70	49

*Refers to seals type. Add:
FK→FKM NB→NBR LT→EPDM FL→FVMQ HN→HNBR

www.sitecna.eu

SS316L quick exhaust valves - VSR serie

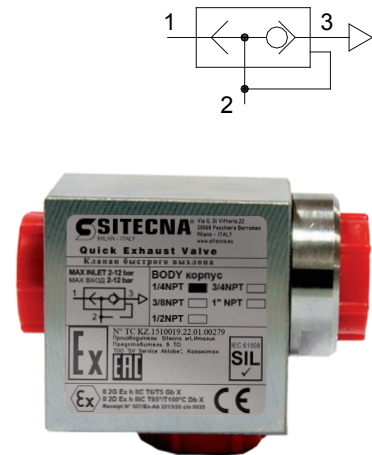
Valvole di scarico rapido in AISI316L - serie VSR

Enables air to be exhausted quickly from air reservoirs and cylinders allowing higher cylinder speeds to be achieved. Simple, compact design and construction that grants for reliability in operations. Corrosion resistant body in stainless steel 316L allows the use in high corrosive environment.

Choice of plastic materials make this product suitable for a wide range of working temperatures. Valves can be used in every position, but for a prompt fluid discharge it is suggested to connect them as near as possible to the cylinder.

Connection 1 is air inlet, connection 2 is air use and connection 3 is the exhaust.

- ATEX 2014/34/UE II 2G Ex h IIC T6/T5 Gb X
II 2D Ex h IIIC T85°C/T100°C Db X
- & approved
- SIL 3 - IEC 61508



Consentono un rapido scarico dell'aria da serbatoi e cilindri permettendo il raggiungimento di elevate velocità del cilindro.

Sistema e struttura semplici e compatti garantiscono un funzionamento altamente affidabile. Il corpo in AISI316L consente l'utilizzo in ambienti corrosivi.

La scelta di differenti materiali plastici rendono utilizzabile questo prodotto in un'ampia gamma di temperature. Le valvole possono essere montate in qualunque posizione, ma per un'efficace evacuazione devono essere piazzate il più vicino possibile al cilindro.

La connessione 1 serve per l'alimentazione, la due è l'utilizzo e la 3 è lo scarico.

ATEX 2014/34/UE II 2G Ex h IIC T6/T5 Gb X
II 2D Ex h IIIC T85°C/T100°C Db X

- Approvato ed
- Approvato SIL 3 - IEC 61508

Technical features:

Caratteristiche tecniche:

- **Medium : compressed air or inert gases, filtered, lubricated and non lubricated**
Fluido : aria compressa o gas inerti, filtrata, lubrificata e non lubrificata
- **Operating pressure : 2/12bar - special execution available 18bar**
Pressione d'esercizio : 2/12bar - disponibile esecuzione speciale 18bar
- **Operating temperature : -20°C up to 80°C (NBR); -25°C up to 90°C (FKM)**
-40°C up to 80°C (EPDM); -55°C up to 90°C (FVMQ / HNBR)
Temperatura di esercizio: -20°C + 80°C (NBR); -25°C + 90°C (FKM)
-40°C + 80°C (EPDM); -55°C + 90°C (FVMQ / HNBR)
- **Materials : Body SS316L; Element in PU or Element in PU or low temperature PU**
Materiali : Corpo in AISI316L; elemento in PU o PU bassa temperatura

BT-VSRSS/C20A

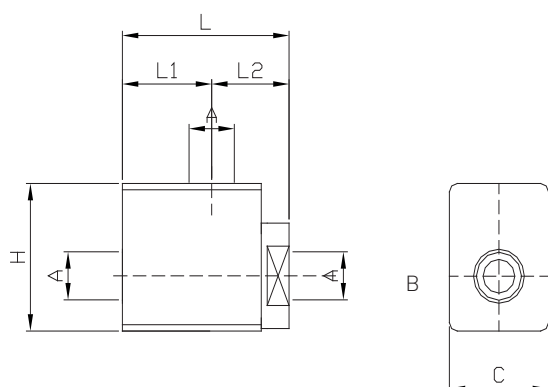
MODEL MODELLO	THREAD FILETTO	Dn mm	ELEMENT MATERIALE	WP PN	CV IN	CV OUT
VSR02NSS*	1/8" NPT	8	PU or LT PU	2-12BAR	-	-
VSR04NSS*	1/4" NPT	8	PU or LT PU	2-12BAR	1.2	2.0
VSR06NSS*	3/8" NPT	10	PU or LT PU	2-12BAR	3.6	6.9
VSR08NSS*	1/2" NPT	12	PU or LT PU	2-12BAR	4.3	6.9
VSR12NSS*	3/4" NPT	19	PU or LT PU	2-12BAR	10.0	11.3
VSR16NSS*	1" NPT	19	PU or LT PU	2-12BAR	10.5	15.7

*Refers to seals type. Add:
FK→FKM NB→NBR LT→EPDM FL→FVMQ HN→HNBR

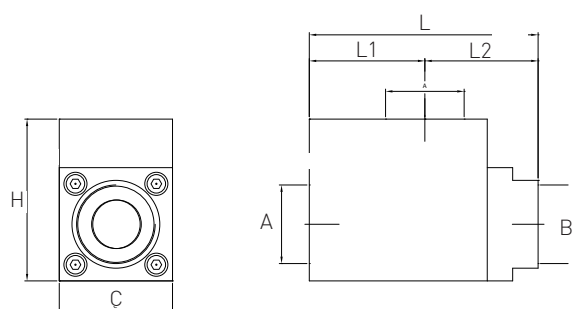
Overall dimension

Dimensioni di ingombro

VSR02, VSR04



VSR06, VSR08, VSR12, VSR16



MODEL MODELLO	THREAD FILETTO	B	L mm	L1 mm	L2 mm	H mm	C mm
VSR02NSS*	1/8" NPT	1/4" NPT	42	22,5	19,5	35	25
VSR04NSS*	1/4" NPT	1/4" NPT	42	22,5	19,5	35	25
VSR06NSS*	3/8" NPT	1/2" NPT	56	33	23	53	40
VSR08NSS*	1/2" NPT	1/2" NPT	56	33	23	53	40
VSR12NSS*	3/4" NPT	3/4" NPT	99	50	49	70	49
VSR16NSS*	1" NPT	1" NPT	99	50	49	70	49

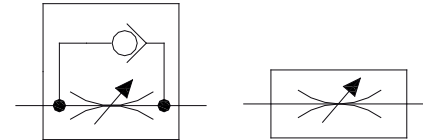
*Refers to seals type. Add: FK→FKM NB→NBR LT→EPDM FL→FVMQ HN→HNBR

www.sitecna.eu

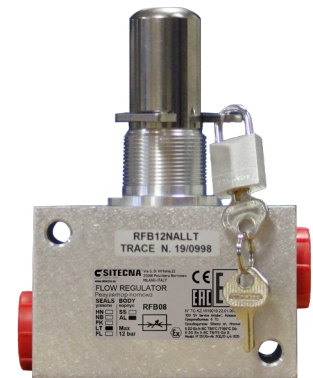
Copper free aluminum alloy flow regulators - RF serie

Regolatori di flusso in alluminio esente rame - serie RF

Flow regulators are generally used to control the outflow of a media . A complete range of needle valves and flow regulators provides a variety of choices between uni or bi-directional versions and different precision features.



- Suitable for air or gas service
- Different end connections available
- 12bar max working pressure
- ATEX 2014/34/UE II 2G Ex h IIC T6/T5 Gb X
II 2D Ex h IIIC T85°C/T100°C Db X
- & approved



I regolatori di flusso sono generalmente impiegati per il controllo della portata di efflusso del fluido controllato.

Una selezione completa di regolatori consente un'ampia scelta fra le diverse tipologie, uni e bidirezionali e con diverse caratteristiche di precisione.

- Idonei per utilizzo con aria o gas
- Disponibili con varietà di connessioni
- Pressione di lavoro massima 12bar
- ATEX 2014/34/UE II 2G Ex h IIC T6/T5 Gb X
II 2D Ex h IIIC T85°C/T100°C Db X
- Approvato ed

Accessories and repair kit

Accessori e ricambi

Anti-tamper kit / Kit anti-manomissione	Items KTAM04-08
Maintenance kit / Kit manutenzione	Items K-RF-04-AL-**[1/4"] K-RF-08-AL-**[3/8", 1/2"] K-RF-16-AL-**[3/4", 1"]

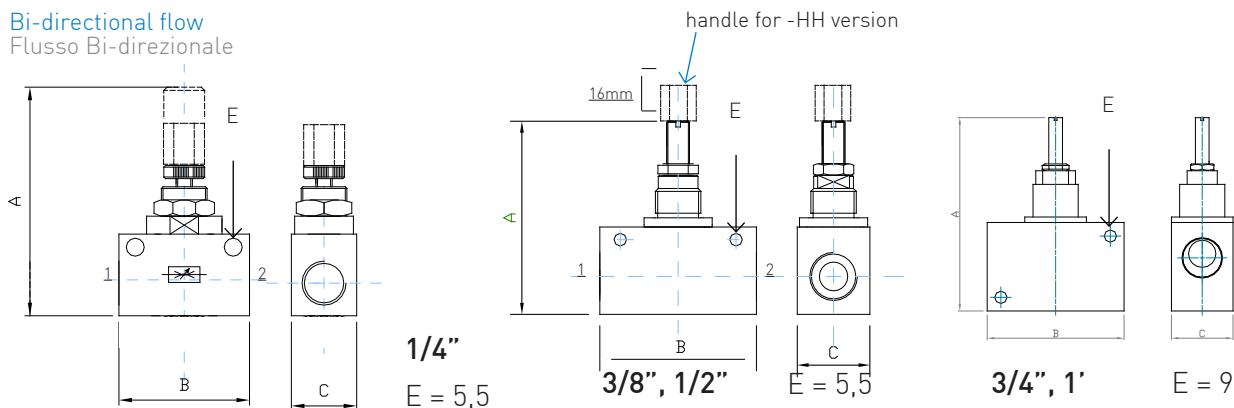
** Refers to seals type: FK→FKM NB→NBR LT→EPDM FL→FVMQ HN→HNBR

BT-RFAL/C20A

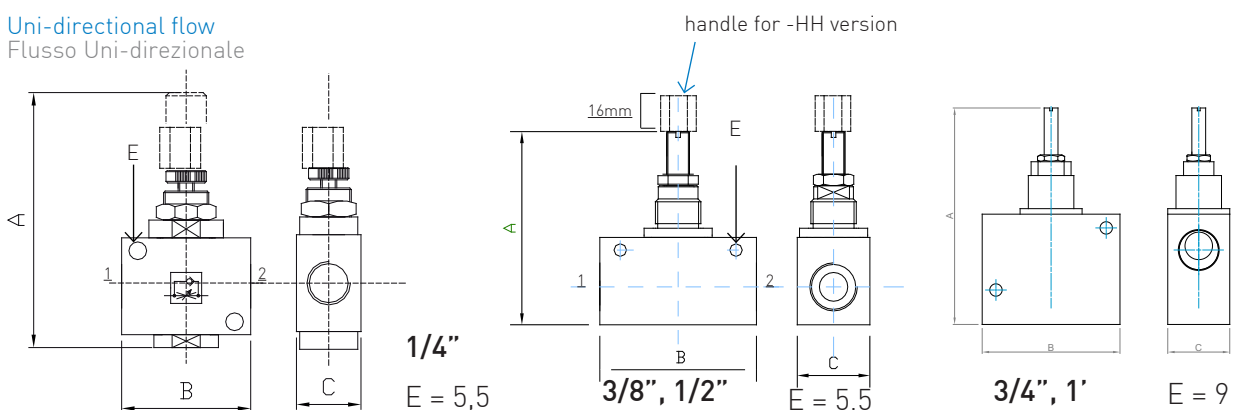
Overall dimension

Dimensioni di ingombro

Bi-directional flow
Flusso Bi-direzionale



Uni-directional flow
Flusso Uni-direzionale



MODEL MODELLO	FUNCTION FUNZIONE	THREAD FILETTO	A mm	B mm	C mm	Max flow 6 bar Portata max 6 bar		Dn mm
						1→2	1←2	
RFB04NAL*	Bidirectional	1/4"NPT	70	40	20	1100 NI/m	--	6.5
RFB06NAL*	Bidirectional	3/8" NPT	84	69	32	3600 NI/m	--	12.5
RFB08NAL*	Bidirectional	1/2"NPT	84	69	32	3600 NI/m	--	12.5
RFB12NAL*	Bidirectional	3/4"NPT	142	100	45	13800 NI/m	--	18
RFB16NAL*	Bidirectional	1"NPT	142	100	45	16200 NI/m	--	20
RFU04NAL*	Unidirectional	1/4"NPT	70	40	20	1100 NI/m	1700 NI/m	6.5
RFU06NAL*	Unidirectional	3/8"NPT	84	69	32	3600 NI/m	5000 NI/m	12.5
RFU08NAL*	Unidirectional	1/2"NPT	84	69	32	3600 NI/m	5000 NI/m	12.5
RFU12NAL*	Unidirectional	3/4"NPT	142	100	45	13800 NI/m	20000 NI/m	18
RFU16NAL*	Unidirectional	1"NPT	142	100	45	16200 NI/m	240000 NI/m	20

* for choosing seals' materials, add to the code the following digit (standard if not specified = NBR)

per i materiali delle tenute, aggiungere al codice i seguenti digit (standard se non specificato = NBR)

NB = NBR seals (WT -20°C/+80°C)

LT = EPDM seals (WT -40°C/+80°C)

FK = FKM seals (WT -25°C/+90°C)

FL / HN = FVMQ + EPDM / HNBR (WT -55°C/+90°C)

NB: add -HH at the end of the code to have version with handle; for 1/4"NPT is standard.

add PM at the end of the code to have version with panel nut.

NB: aggiungere -HH alla fine del codice per avere la versione con pomello; per 1/4"NPT è standard

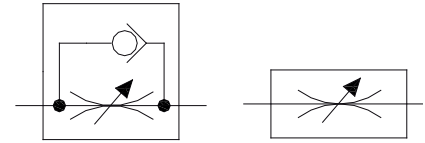
aggiungere PM alla fine del codice per avere la versione con dado per montaggio a pannello

www.sitecna.eu

SS316L flow regulators - RF serie

Regolatori di flusso in AISI316L - serie RF

Flow regulators are generally used to control the outflow of a media . A complete range of needle valves and flow regulators provides a variety of choices between uni or bi-directional versions and different precision features.



- Suitable for air or gas service
- Robust SS316L design
- Different end connections available
- 12bar max working pressure
- ATEX 2014/34/UE II 2G Ex h IIC T6/T5 Gb X
II 2D Ex h IIIC T85°C/T100°C Db X
- & approved



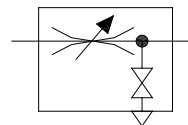
I regolatori di flusso sono generalmente impiegati per il controllo della portata di efflusso del fluido controllato. Una selezione completa di regolatori consente un'ampia scelta fra le diverse tipologie, uni e bidirezionali e con diverse caratteristiche di precisione.

- Idonei per utilizzo con aria o gas
- Robusta costruzione in AISI316L
- Disponibili con varietà di connessioni
- Pressione di lavoro massima 12bar
- ATEX 2014/34/UE II 2G Ex h IIC T6/T5 Gb X
II 2D Ex h IIIC T85°C/T100°C Db X
- Approvato ed

Alternative model - available on request

Modelli alternativi - Disponibile su richiesta

- drilled non closing valvle
- panel mount nut option (add PM to the code)
- optional bleed - instrument block & bleed valve (add /V to the code)
- foratura valvola non chiude
- versione predisposta per montaggio a pannello (aggiungere PM al codice)
- opzione - block & bleed (aggiungere /V al codice)



Block and bleed version

Accessories and repair kit

Accessori e ricambi

Anti-tamper kit / Kit anti-manomissione	Items KTAM04-08
Maintenance kit / Kit manutenzione	Items K-RF-04-SS-**[1/4"] K-RF-08-SS-**[3/8", 1/2"] K-RF-16-SS-**[3/4", 1"]

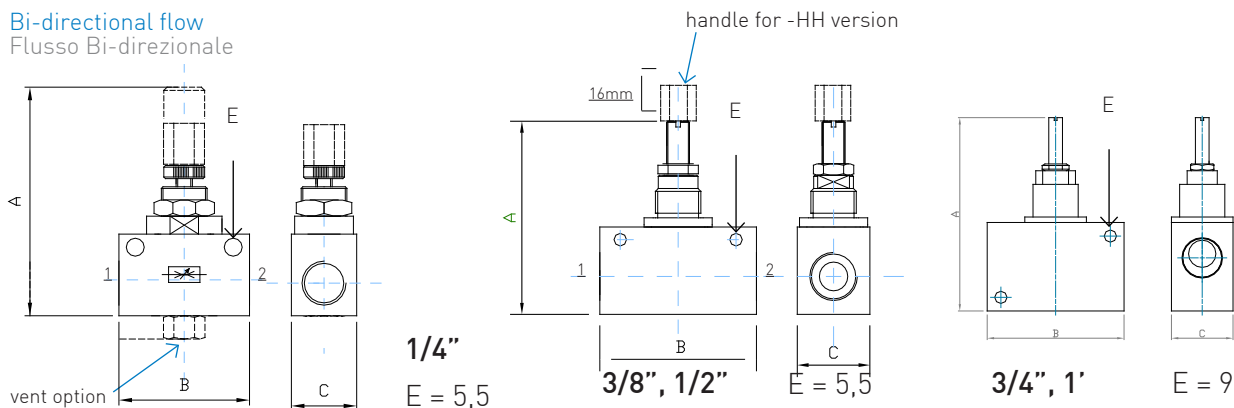
** Refers to seals type: FK→FKM NB→NBR LT→EPDM FL→FVMQ HN→HNBR

BT-RFSS/C20A

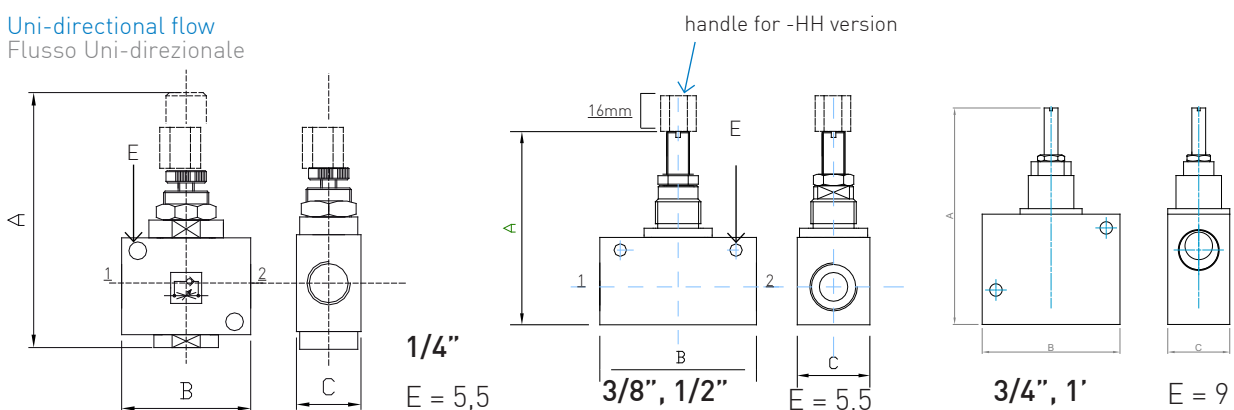
Overall dimension

Dimensioni di ingombro

Bi-directional flow
Flusso Bi-direzionale



Uni-directional flow
Flusso Uni-direzionale



MODEL MODELLO	FUNCTION FUNZIONE	THREAD FILETTO	A mm	B mm	C mm	Max flow 6 bar Portata max 6 bar		Dn mm
						1→2	1←2	
RFB04NSS*	Bidirectional	1/4"NPT	70	40	20	1100 NI/m	--	6.5
RFB06NSS*	Bidirectional	3/8" NPT	84	69	32	3600 NI/m	--	12.5
RFB08NSS*	Bidirectional	1/2"NPT	84	69	32	3600 NI/m	--	12.5
RFB12NSS*	Bidirectional	3/4"NPT	142	100	45	13800 NI/m	--	18
RFB16NSS*	Bidirectional	1"NPT	142	100	45	16200 NI/m	--	20
RFU04NSS*	Unidirectional	1/4"NPT	70	40	20	1100 NI/m	1700 NI/m	6.5
RFU06NSS*	Unidirectional	3/8"NPT	84	69	32	3600 NI/m	5000 NI/m	12.5
RFU08NSS*	Unidirectional	1/2"NPT	84	69	32	3600 NI/m	5000 NI/m	12.5
RFU12NSS*	Unidirectional	3/4"NPT	142	100	45	13800 NI/m	20000 NI/m	18
RFU16NSS*	Unidirectional	1"NPT	142	100	45	16200 NI/m	240000 NI/m	20

* for choosing seals' materials, add to the code the following digit (standard if not specified = NBR)

per i materiali delle tenute, aggiungere al codice i seguenti digit (standard se non specificato = NBR)

NB = NBR seals (WT -20°C/+80°C)

LT = EPDM seals (WT -40°C/+80°C)

FK = FKM seals (WT -25°C/+90°C)

FL / HN = FVMQ + EPDM / HNBR (WT -55°C/+90°C)

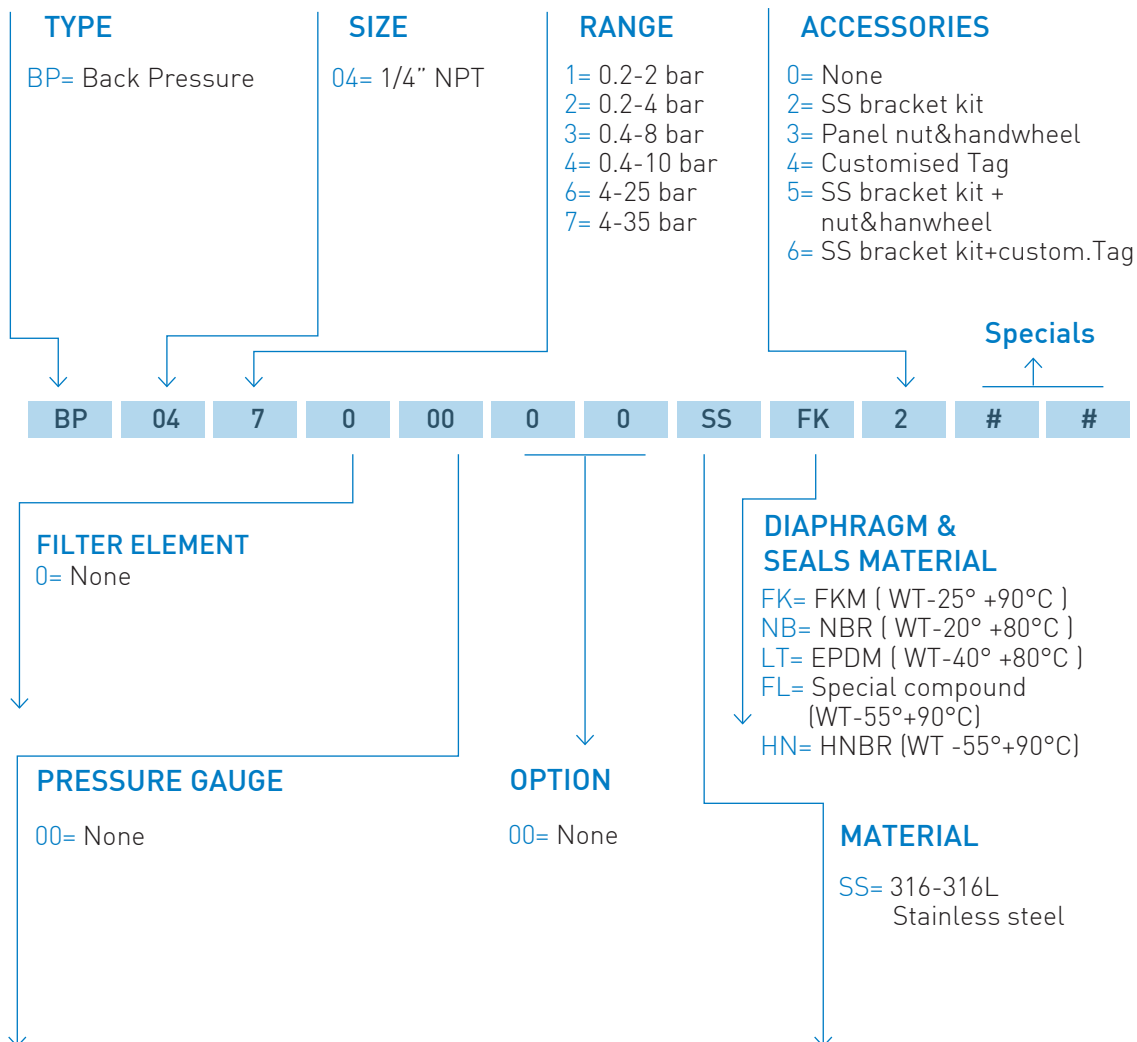
**NB: add -HH at the end of the code to have version with handle; for 1/4"NPT is standard.
add PM at the end of the code to have version with panel nut.**

NB: aggiungere -HH alla fine del codice per avere la versione con pomello; per 1/4"NPT è standard
aggiungere PM alla fine del codice per avere la versione con dado per montaggio a pannello

Ordering information - Back-pressure regulators

Come ordinare - Regolatori back-pressure

www.sitecna.eu



CODE EXAMPLES

BP	04	7	0	00	0	0	SS	FK	2		
----	----	---	---	----	---	---	----	----	---	--	--

1/4" NPT, SS316, 4 to 35 bar range, back-pressure regulator, ss bracket kit and FKM diaphragm & seals

Regolatore di back-pressure da 1/4" NPT in AISI316, range regolato 4/35 bar, staffa inox, diaframma e tenute in FKM

01-BP/20A

AISI316L 1/4" back pressure regulator - BP Series

Regolatore di contropressione da 1/4" in AISI316- Serie BP

- Suitable for automation equipment to onshore, offshore, pharmaceutical, medical and food applications
- Excellent accuracy
- Full material traceability
- Gauge port option
- ATEX 2014/34/UE II 2G Ex h IIC T6/T5 Gb X
II 2D Ex h IIIC T85°C/T100°C Db X
- & approved

- Adatto per automazione in applicazioni marine, petrolchimiche farmaceutiche, medicali e alimentari
- Eccellente precisione
- Completa rintracciabilità dei materiali
- Varianti connessioni manometri
- ATEX 2014/34/UE II 2G Ex h IIC T6/T5 Gb X
II 2D Ex h IIIC T85°C/T100°C Db X
- Approvato ed



Media / Fluido	Compressed air, inert gases, sweet and sour gases
Port thread / Connessioni	1/4" NPT
Gauge Connection Connessione manometro	1/8" NPT (1/4" NPT option)
Filtering element Elemento filtrante	coalescing or 5, 25, 40 micron in st. st. 316
Max inlet pressure / Pressione massima di ingresso	Equal to pressure control range
Drain valve/ Scarico condensa	Manual or automatic
Control range (psi) Campo di regolazione (bar)	3-30 3-60 5-120 5-150 60-365 60-500 0.2-2 0.2-4 0.4-8 0.4-10 4-25 4-35
Working temperature / Temperatura di esercizio	-20°C up to 80°C (NBR); -25°C up to 90°C (FKM); -40°C up to 80°C (EPDM); -55° up tp 90°C (FVMQ)*

*Special version in HNBR (WT -55°C + 90°C)

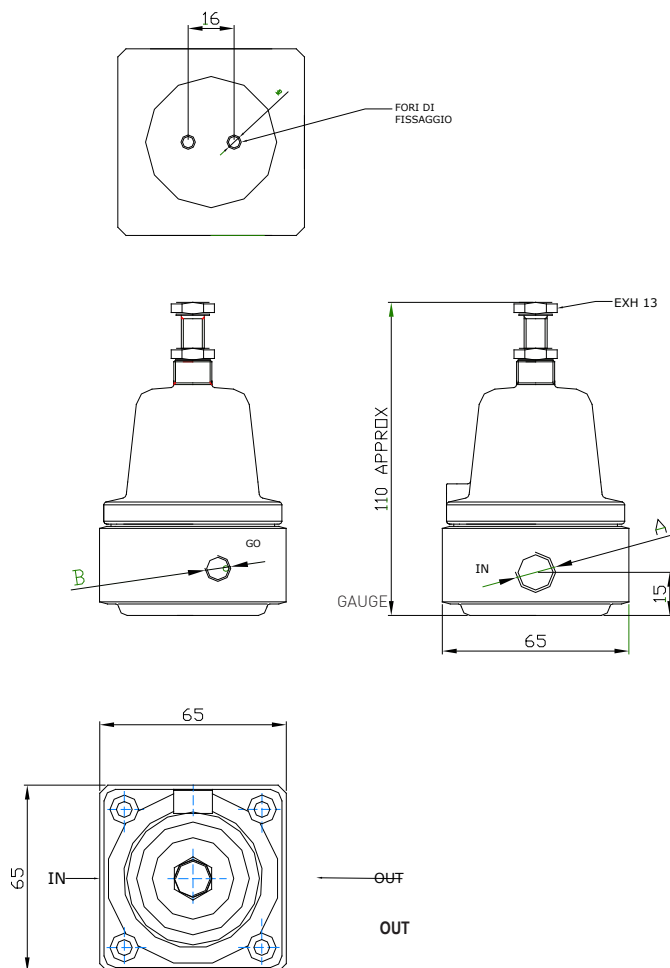
The BP series is a general-purpose regulator designed to control back-pressure levels in process or analytical systems upstream of the regulator. Its feature make it ideal for many type of application.

La serie BP è un regolatore per applicazioni generiche progettato per controllare i valori di contropressione a valle del regolatore di pressione nei sistemi di processo o di analisi. Le sue caratteristiche lo rendono adatto a molteplici applicazioni.

BUILDING MATERIALS	Materiali costruttivi
Body, bonnet, end plate in AISI 316/316L stainless steel	Corpo, coperchio, piastra inferiore acciaio inossidabile AISI316/316L
Internals, adjustment screw, bracket, lock and panel nuts, fixing screws in stainless steel	Parti interne, vite di regolazione, staffa, dadi di bloccaggio e pannello, viti di fissaggio in acciaio inossidabile
Diaphragm & seals in elastomer	Diaframma eguarnizioni in elastomero

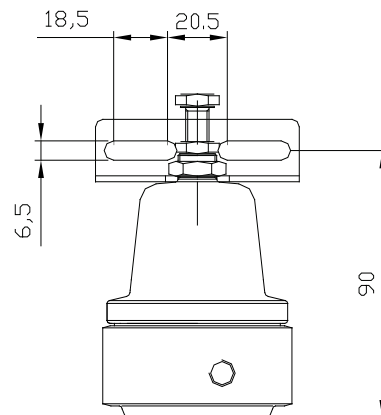
Overall dimension

Dimensioni di ingombro



Wall bracket dimension

Dimensioni staffa



Accessories

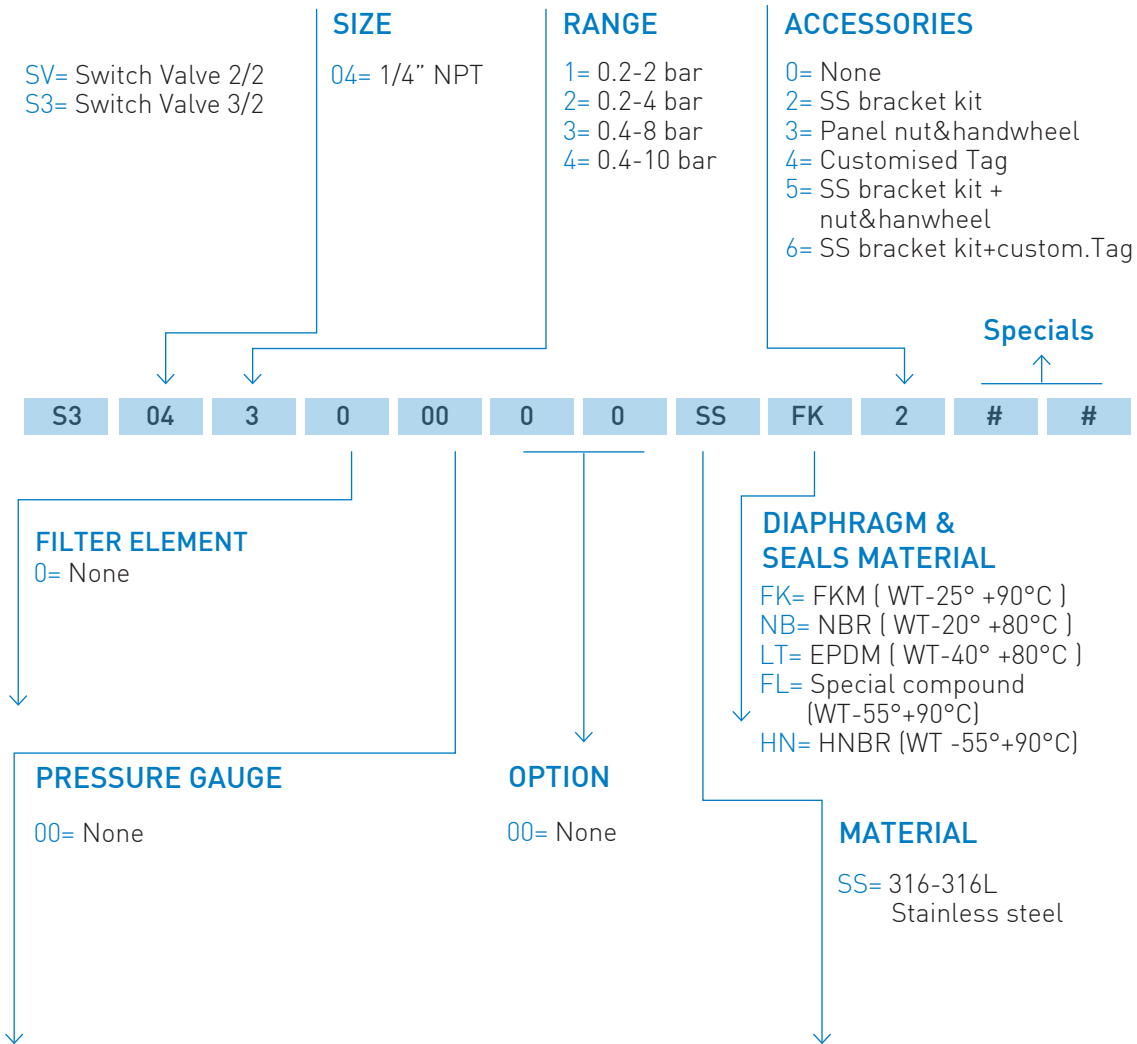
Accessori

Pressure gauge DN40mm, all SS, Bar+psi+kpa range / Manometro DN40mm, tutto inox, scala Bar+psi+kpa	0-2,5 bar MBS6P4S2PN04 0-4bar MBS6P4S2PN05 0-10bar MBS6P4S2PN07
Bracket / Staffa	SQ-FR04
Anti-tamper kit / Kit anti-manomissione	KTAM04-08

Ordering information - Switch valves

Come ordinare - Switch valves

www.sitecna.eu



CODE EXAMPLES

SV 04 3 0 00 0 0 SS FK 2

1/4"NPT, SS316, 0 to 8 bar range, 2 ways switch valve, ss bracket kit and FKM diaphragm & seals

Valvola a due vie da 1/4"NPT in AISI316, range regolato 0/8 bar, staffa inox, diaframma e tenute in FKM

S3 04 4 0 00 0 0 SS LT 0

1/4"NPT, SS316, 0 to 10 bar range, 3 ways switch valve, EPDM diaphragm & seals

Valvola a tre vie da 1/4"NPT in AISI316, range regolato 0/10 bar, diaframma e tenute in EPDM

01-SVS3/21A

AISI316L 1/4" switching valve pneumatically operated - SV and S3 Series

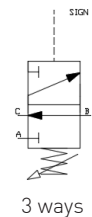
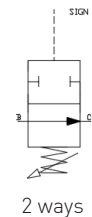
Valvola di commutazione ad azionamento pneumatico 1/4" in AISI316L - Serie SV e S3

www.sitecna.eu

- AISI 316L construction
- Excellent accuracy
- Easy, accurate adjustment
- 2/2 valve on off control
- 3/2 normally open switching valve
- ATEX 2014/34/UE II 2G Ex h IIC T6/T5 Gb X
II 2D Ex h IIIC T85°C/T100°C Db X

• & approved / SIL 3 - IEC 61508

- Materiale di costruzione AISI 316L
- Eccellente precisione
- Facile e precisa regolazione
- Valvola 2/2 di controllo on off
- Valvola di commutazione 3/2 NA
- ATEX 2014/34/UE II 2G Ex h IIC T6/T5 Gb X
II 2D Ex h IIIC T85°C/T100°C Db X
- Approvato ed / SIL 3 - IEC 61508



Media / Fluido	Compressed air, inert gases, sweet and sour gases
Port thread / Connessioni	1/4" NPT
Signal Port / Connessione segnale	1/8"NPT (1/4"NPT option)
Max inlet pressure (psi)/ Pressione massima di ingresso (bar)	150 10
Maximum signal (psi) / Segnale Massimo (bar)	100 7
Control range (psi) Campo di regolazione (bar)	3-30 3-60 5-120 5-150 0.2-2 0.2-4 0.4-8 0.4-10
Working temperature / Temperatura di esercizio	-20°C up to 80°C (NBR); -25°C up to 90°C (FKM); -40°C up to 80°C (EPDM); -55° up tp 90°C (FVMQ)*

*Special version in HNBR (WT -55°C + 90°C)

The Types SV switching valves is a pneumatically operated and controlled units, built with a wide range of capabilities to handle those switching application that involve on-off control, and failure modes. Operation of valve occurs when the pneumatic signal changes accordingly to the spring range. The Sv model switching valve is typically used as a normally close on-off switch. The model S3 switching valve directs flow through three ports. With a choice of springs for optimum resolution, the switching point is set to a specific requirement by an adjusting screw placed on top of the cover.

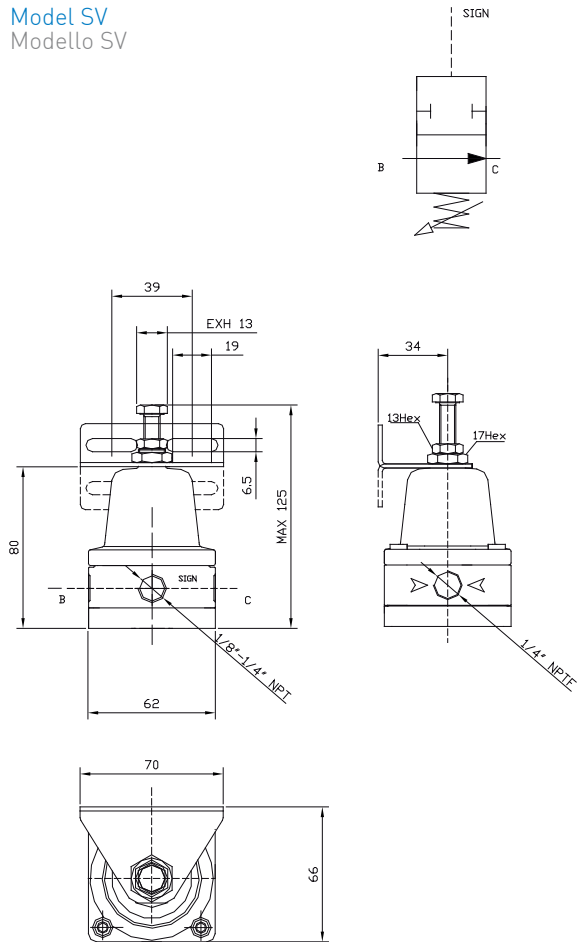
La valvola di commutazione tipo SV è un dispositivo azionato e controllato pneumaticamente, costruito con un'ampia gamma di possibilità per controllare applicazioni di commutazione che coinvolgono il controllo on-off e le modalità guasto. Il funzionamento della valvola avviene quando il segnale pneumatico varia in funzione delle caratteristiche della molla utilizzata. La valvola di commutazione modello SV è utilizzata tipicamente come interruttore on-off normalmente chiuso. Il modello S3 consente il passaggio del flusso in tre connessioni. Con la possibilità di scegliere diverse molle per una risoluzione ottimale, il punto di commutazione è regolato per mezzo di una vite posta nella parte superiore del coperchio.

BUILDING MATERIALS	Materiali costruttivi
Body, bonnet, end plate in AISI 316/316L stainless steel	Corpo, coperchio, piastra inferiore acciaio inossidabile AISI316/316L
Internals, adjustment screw, bracket, lock and panel nuts, fixing screws in stainless steel	Parti interne, vite di regolazione, staffa, dadi di bloccaggio e pannello, viti di fissaggio in acciaio inossidabile
Diaphragm & seals in elastomer	Diaframma eguarnizioni in elastomero

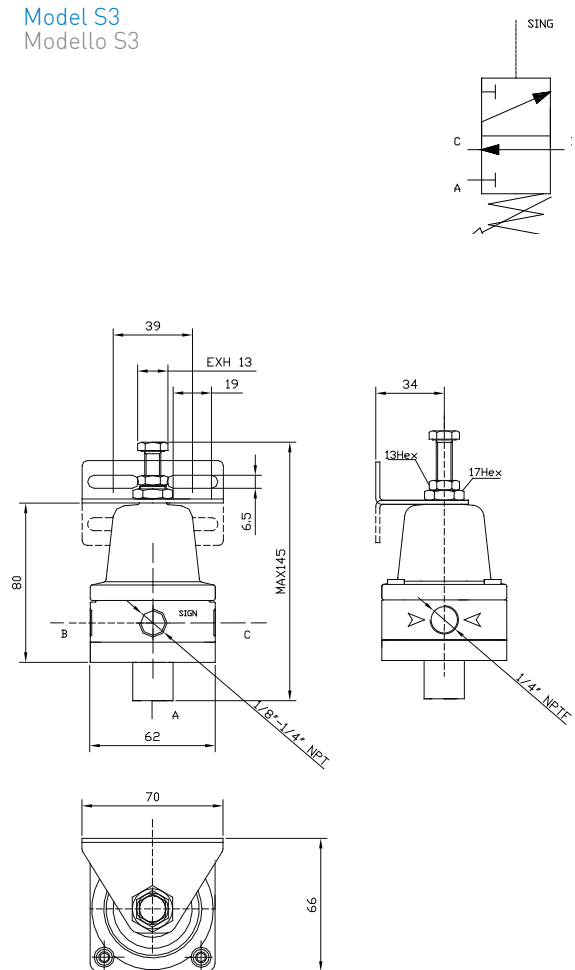
Overall dimension

Dimensioni di ingombro

Model SV
Modello SV



Model S3
Modello S3



Accessories

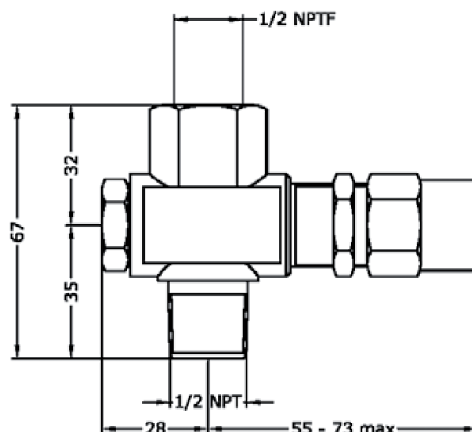
Accessori

Pressure gauge DN40mm, all SS, Bar+psi+kpa range / Manometro DN40mm, tutto inox, scala Bar+psi+kpa	0-2,5 bar MBS6P4S2PN04 0-4bar MBS6P4S2PN05 0-10bar MBS6P4S2PN07
Bracket / Staffa	SQ-FR04
Anti-tamper kit / Kit anti-manomissione	KTAM04-08

BT-SV04/C20B

Typical overall dimension

Dimensioni di ingombro tipiche



Standard features

Caratteristiche standard

Port connection Conessioni	1/2" NPT
Body Corpo	AISI316
Wetted parts Parti a contatto con fluido	AISI316L - FPM
O ring O ring	FPM
Spring Molla	DIN 17224
Operating temperature Temperatura di funzionamento	2 + 80° C*

Application

Applicazioni

- **Material of construction allow the unit To be used for corrosive pressure media, even in corrosive ambient**
 - **Process industry**
 - **Mechanical engineering and plant construction**
 - **Onshore and offshore**
 - **Power station**
 - **Chemical and petrochemical plant**
 - **Mining**
- I materiali di costruzione del dispositivo consentono l'impiego con fluidi aggressivi in pressione ed anche in ambienti aggressivi
 - Industria di processo
 - Ingegneria meccanica e delle costruzioni
 - Onshore ed offshore
 - Centrali elettriche
 - Impianti chimici e petrolchimici
 - Attività minerarie



Section C – Section C – Instruments & accessories Sezione B – Strumenti ed accessori

A range of instruments and accessories designed for specific applications to optimize the installations

- Flow meters for analysis, Variable flow vacuum pumps, Silencers and Pressure gauges
- Stainless steel complete construction
- Idoneus for installation in classified areas
- Eventual seals available in FPM, EPDM, specials
- Strong construction
- Easy maintenance
- Full material traceability
- Certifications to EN10204 3,1
- 100% Italian production
- 100% tested
- 24 hours shipment service available
- ATEX and EAC certified range



Una gamma di accessori e strumenti realizzati per applicazioni specifiche e per ottimizzare le installazioni

- Flussimetri per analisi, Eiettori a portata variabile, Silenziatori e Manometri
- Costruzione completamente in acciaio inossidabile
- Idonei per installazione in area classificata
- Eventuali tenute in FPM, EPDM, speciali
- Costruzione robusta
- Facilità nelle eventuali manutenzioni
- Completa rintracciabilità di tutti i componenti
- Certificati EN10204 3,1
- Produzione 100% italiana
- Collaudo al 100%
- Spedizioni in 24 ore
- Certificati ATEX e EAC



AISI316L high flow, bug-screen & flush silencers

- Stainless steel 316L complete construction
- 1/8", 1/4", 3/8", 1/2", 3/4", 1" sizes
- Std NPT threads
- Certifications to EN10204 3,1, ATEX, EAC
- 100% Italian production

Silenziatori ad alta portata, anti-insetto e a scomparsa in AISI316L

- Costruzione completamente in AISI316L
- Taglie da 1/8", 1/4", 3/8", 1/2", 3/4", 1"
- Filettature std NPT
- Certificati EN10204 3,1, ATEX, EAC
- Produzione 100% italiana



Index - Indice

p.158 **Stainless steel 316L glass tube flow meter**

Flussimetri a tubo vi vetro in AISI316

1/8"NPT



p.159 **SS316L variable flow vacuum pump**

Eiettori a portata regolabile in AISI316L

1/4"NPT



p.161 **AISI316L sample probe**

Sonda di campionamento in AISI316L

1/2" NPT F

**NEW
PRODUCT**



p.163 **Aluminum & SS316L silencers**

Silenziatori di scarico in alluminio ed AISI316L

1/8", 1/4", 3/8", 1/2", 3/4", 1"NPT



p.165 **Stainless steel 316L Dust Excluder**

Dust Excluder in AISI316L

1/4", 3/8", 1/2", 3/4", 1"NPT



p.166 Bourdon type pressure gauges

Manometri Bourdon

DN 40, 50, 60

SS case/nickel plated brass connection; all Stainless steel



p.168 Stainless Steel 316L Tamperproof kit

Kit anti/manomissione in AISI316L

**suitable for 1/4, 3/8, 1/2", 3/4", 1"NPT
FR, R, RF, BP, SV, S3**



p.169 AISI316L Hexagon ball valves

Valvole a sfera in AISI316L

1/4", 1/2"



p.170 Auxiliary assembly fittings

Raccordo ausiliari per montaggio

30bar /450psi max operating pressure



www.sitecna.eu

AISI 316L glass tube flowmeter – FLGSS series

Flussimetro a tubo di vetro in AISI 316L – serie FLGSS

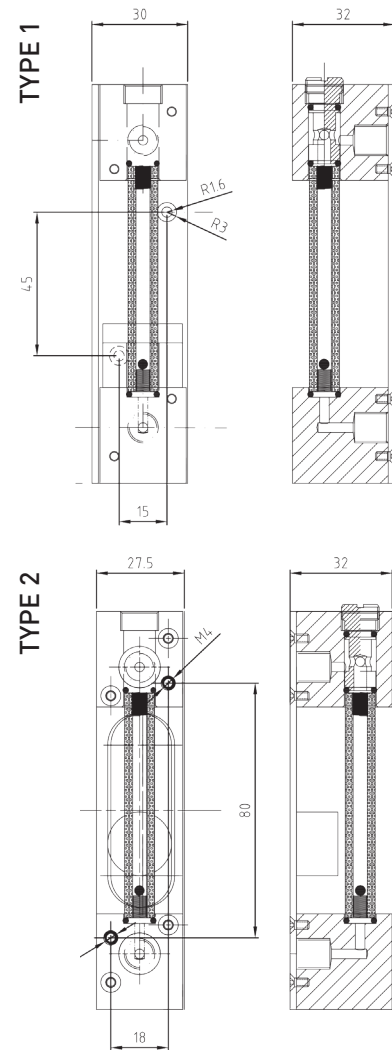
- Instant flowmeters for low flows
- Excellent accuracy
- Rear ports
- FKM gasket (other on demand)
- Low cost
- ATEX 2014/34/UE II 2G Ex h IIC T6/T5 Gb X
- & approved II 2D Ex h IIIC T85°C/T100°C Db X

- Flussimetro per misurazioni istantanee di basse portate
- Eccellente precisione
- Connessioni posteriori
- Guarnizioni in FKM (altre su richiesta)
- Basso costo
- ATEX 2014/34/UE II 2G Ex h IIC T6/T5 Gb X
- Approvato ed II 2D Ex h IIIC T85°C/T100°C Db X



Dimension

Dimensioni



Technical datas

Informazioni tecniche

Port threads Connessioni	1/8" NPT F
Flow range Portata	0.2-2,5 NL/m air 20°C P=1013mbar 0.8-10 NL/m air 20°C P=1013mbar
Accuracy Precisione	± 5% of max scale value
Length of reading scale Lunghezza scala lettura	63 mm
Float Galleggiante	Stainless Steel
Body material Materiale corpo	AISI 316L - Aluminum bracket
Metering tube Tubo di misura	Borosilicate glass (Pyrex)
Linings - Guarnizioni	FKM (other on demand)
Max Inlet Pressure Pressione max ingresso	10 bar
Temperature range Temperatura	-20° +90°C
Options Opzioni	Stainless steel bracket

Ordering information

Come ordinare

TYPE ← **FLGSS** **H** **SE1** **-VI** → **METERING VALVE**

FLGSS = flow meter type 1
FLGSN = flow meter type 2

FLOW
A = Flow 0.2 - 2,5 NL/m
H = Flow 0.8 - 10 NL/m

SENSOR
000 = No alarm included
SE1 = monostable alarm P+F RC10-14-NO
SE2 = monostable alarm P+F NCB5-18GM40-NO*
*only with type2 and flow H



-- = none
VI = inlet metering valve
VO = outlet metering valve

BT-FLSS/C20A

AISI 316L Variable flow vacuum pump – VP serie

Eiettori a flusso variabile in AISI316L – serie VP

The variable performance of the vacuum pump is achieved by increasing the annular gap between the Venturi nozzle and the diffuser. Rotating the diffuser section counter clock-wise will increase the opening, allowing more compressed air to flow through the unit and increasing both the vacuum flow and the vacuum level. The result is variable vacuum pump that can be adjusted to meet an application's exact requirements.

- ATEX 2014/34/UE  II 2G Exh IIC T6/T5 Gb x
-  approved II 2D Exh IIIC T85°C/T100°C Db

Le prestazioni della pompa per vuoto sono ottenute aumentando lo spazio tra l'ugello Venturi ed il diffusore. Ruotando la sezione del diffusore in senso orario l'apertura aumenta permettendo il passaggio di una quantità maggiore di aria compressa attraverso l'unità incrementando il flusso di aspirazione ed il livello di vuoto. Il risultato è una pompa per il vuoto a flusso variabile che può essere regolata per soddisfare la più esigente richiesta

- ATEX 2014/34/UE  II 2G Exh IIC T6/T5 Gb x
- Approvato  ed  II 2D Rxh IIIC T85°C/T100°C Db

Performance data*

Prestazioni*

- Vacuum level : -15" HG
- Max vacuum flow : 10 scfm
- Air consumption : 6scfm
- Livello di vuoto : -15" HG
- Flusso massimo di vuoto : 10 scfm
- Consumo d'aria: 6scfm

* @80psi pressure supply

* a 5.5 bar di alimentazione

SS316L version Model

ST-VP0204N4P

- High performance for vacuum flow rate and vacuum level .

Ottime prestazioni di portata e di livello di vuoto

- Non-clogging, straight-through design .

La progettazione a passaggio diretto impedisce ogni possibilità di intasamento

- Low air consumption ratio

Bassi consumi di aria

- Air velocity and flow are field adjustable to provide a wide range of conditions to meet individual application requirements .

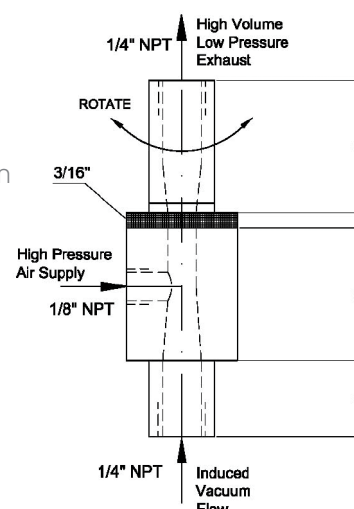
Possibilità di regolare la velocità e la portata dell'aria per fornire un'ampia versatilità di funzionamento e soddisfare le più varie esigenze.

- Can be used to pick and place concrete block or packaging materials

Può essere usato per realizzare l'effetto ventosa nell'automazione industriale

- Typical applications : remove liquid/solid mixtures in air driven vacuum cleaners from sump areas, blow drying, fume evacuation, cooling

Tipiche applicazioni : rimozione di composti solido/liquido in pompe di aspirazione per pozzi di estrazione, essiccazione, aspirazione fumi, raffreddamento



www.sitecna.eu

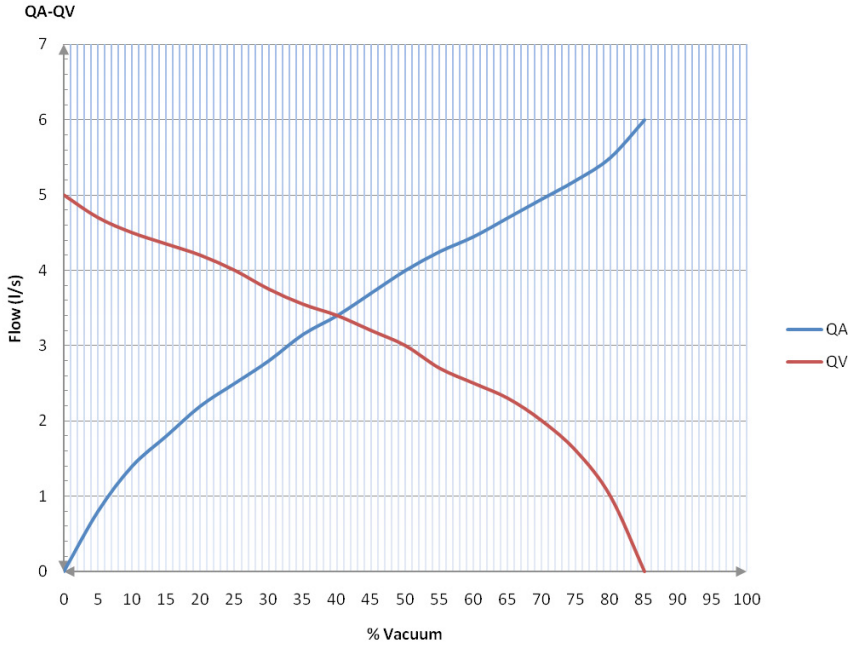
Typical performance Characteristics

Caratteristiche tipiche

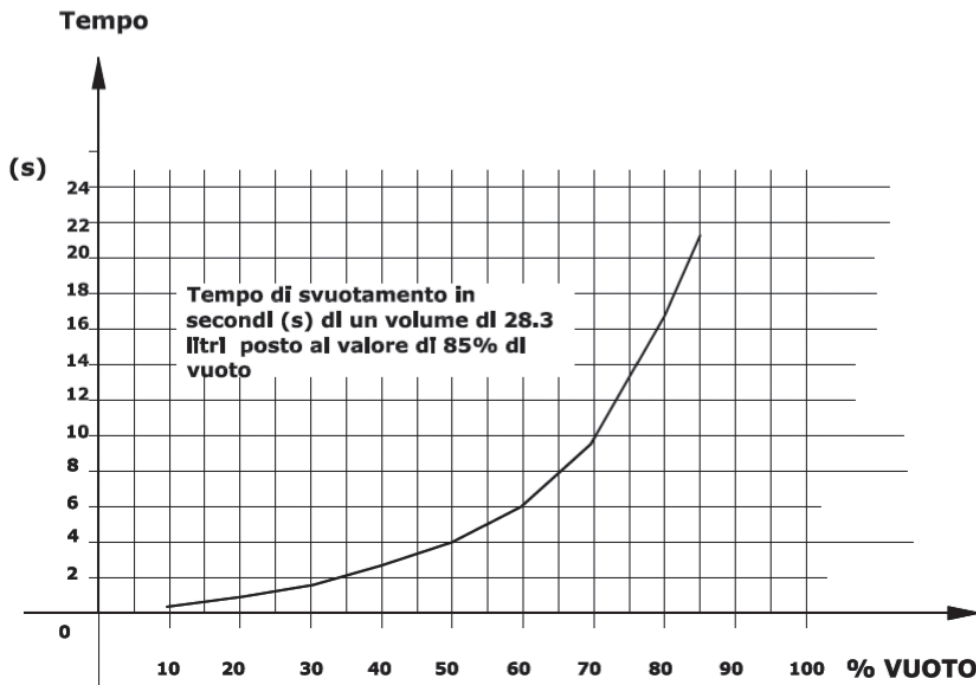
Flow characteristics

Caratteristiche di portata

PORTATA



Air Consumption QA (l/s) vs Vacuum level (%) @ 5.5 bar



Evacuation time (seconds) based on 28.3 litres volume @ 85% vacuum level

BT-VP/C20B

www.sitecna.eu

AISI316 Sample probe

Sonda di campionamento in AISI316

- Suitable to process sampling applications
- Full stainless steel 316 construction
- Suitable for corrosive environments
- NPT standard threads (other on demand)
- Available with 3 micron, 5 micron, 40 micron SS316 porous closed end tube
- Modular design allows different std probe lengths

- Adatto in applicazioni di campionamento di processo
- Costruzione completamente in acciaio inossidabile AISI316
- Idonea per ambienti corrosivi
- Filetti NPT standard (altri su richiesta)
- Disponibili con sonda in SS316 sinterizzato da 3, 5 o 40 micron
- La costruzione modulare consente differenti lunghezze standard della sonda

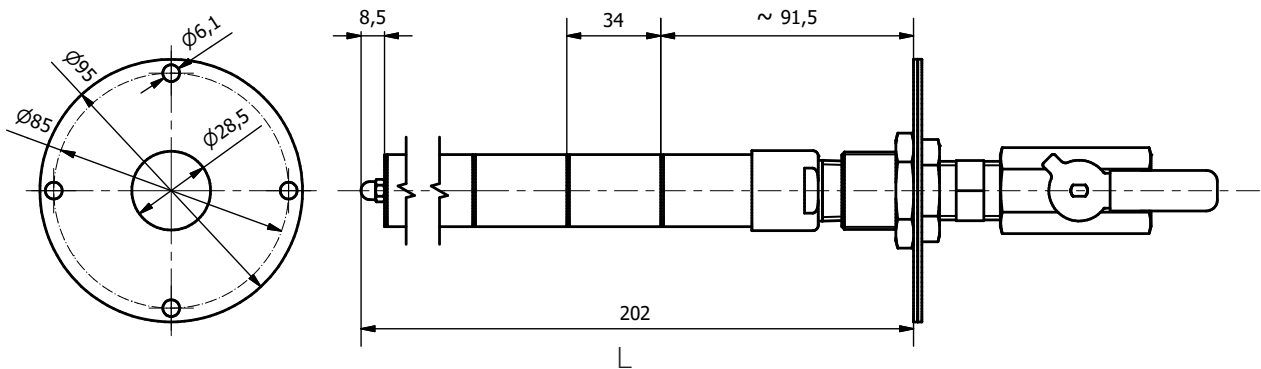


Media / Fluido	Sample gases
Port thread / Connessioni	1/2" NPT F
Porous tube mesh Dimensioni pori sonda	3, 5, 40 micron in st. st. 316
Max working pressure / Pressione massima di lavoro	vacuum to 10bar
Working temperature / Temperatura di esercizio	-20 + 100°C

BUILDING MATERIALS	Materiali costruttivi
Flange in stainless steel AISI316	Flangia in AISI316
Seals in elastomer	Tenute in elastomero
3, 5, 40 micron filtering element in AISI316 stainless steel	Elemento filtrante da 3, 5 e 40 micron in acciaio inossidabile AISI316
Ball valve & fittings in AISI316/316L	Valvola a sfera e raccordi in acciaio inossidabile AISI316/316L

Overall dimension

Dimensioni






Available Options & ordering info

Opzioni disponibili e come ordinare




<p>TYPE SP= sample probe</p>	<p>SIZE 08= DN 1/2"NPT + flanges</p>	<p>CONNECTION OPTIONS 00= 1/2"NPT F 01= male connector for 1/4"OD tube 02= male connector for 6 mm OD tube B0= ball valve 1/2"NPT F B1= ball valve 1/2"NPT F+male connector for 1/4"OD tube B2= ball valve 1/2"NPT F+male connector for 6 mm OD tube</p>																														
<p>SP 08 B0 1 01 SS FK # #</p>																																
<p>TUBE MESH 1= 5 micron 3= 40 micron 5= 3 micron</p>	<p>PROBE LENGHT (L in drawing)</p> <table border="0"> <tr> <td>01= 91,5mm</td> <td>07= 295,5mm</td> <td>13= 499,5mm</td> <td>19= 703,5mm</td> <td>25= 907,5mm</td> </tr> <tr> <td>02= 125,5 mm</td> <td>08= 329,5mm</td> <td>14= 543,5mm</td> <td>20= 737,5mm</td> <td>26= 941,5mm</td> </tr> <tr> <td>03= 159,5 mm</td> <td>09= 363,5mm</td> <td>15= 567,5mm</td> <td>21= 771,5mm</td> <td>27= 975,5mm</td> </tr> <tr> <td>04= 193,5mm</td> <td>10= 397,5mm</td> <td>16= 601,5mm</td> <td>22= 805,5mm</td> <td></td> </tr> <tr> <td>05= 227,5mm</td> <td>11= 431,5mm</td> <td>17= 635,5mm</td> <td>23= 839,5mm</td> <td></td> </tr> <tr> <td>06= 261,5mm</td> <td>12= 465,5mm</td> <td>18= 669,5mm</td> <td>24= 873,5mm</td> <td></td> </tr> </table>		01= 91,5mm	07= 295,5mm	13= 499,5mm	19= 703,5mm	25= 907,5mm	02= 125,5 mm	08= 329,5mm	14= 543,5mm	20= 737,5mm	26= 941,5mm	03= 159,5 mm	09= 363,5mm	15= 567,5mm	21= 771,5mm	27= 975,5mm	04= 193,5mm	10= 397,5mm	16= 601,5mm	22= 805,5mm		05= 227,5mm	11= 431,5mm	17= 635,5mm	23= 839,5mm		06= 261,5mm	12= 465,5mm	18= 669,5mm	24= 873,5mm	
01= 91,5mm	07= 295,5mm	13= 499,5mm	19= 703,5mm	25= 907,5mm																												
02= 125,5 mm	08= 329,5mm	14= 543,5mm	20= 737,5mm	26= 941,5mm																												
03= 159,5 mm	09= 363,5mm	15= 567,5mm	21= 771,5mm	27= 975,5mm																												
04= 193,5mm	10= 397,5mm	16= 601,5mm	22= 805,5mm																													
05= 227,5mm	11= 431,5mm	17= 635,5mm	23= 839,5mm																													
06= 261,5mm	12= 465,5mm	18= 669,5mm	24= 873,5mm																													
	<p>Specials</p>																															

Stainless steel 316L & copper free aluminum silencers - SLHF/SLVP/SLSC* series

Silenziatori in SS316L ed alluminio esente rame - Serie SLHF/SLVP/SLSC*

- Available high flow, bug-screen and flush silencers
- Suitable to onshore, offshore, pharmaceutical, medical and food applications
- Full stainless steel 316L construction
- Suitable for corrosive environments
- NPT standard threads (other on demand)
- Quick delivery
- ATEX 2014/34/UE  II 2G Ex h IIC T6/T5 Gb X
II 2D Ex h IIIC T85°C/T100°C Db X
-  &  approved



- Disponibili silenziatori ad alta portata, anti-insetto ed a scomparsa
- Adatto in applicazioni marine, petrolchimiche, farmaceutiche, medicali e alimentari
- Costruzione completamente in acciaio inossidabile AISI316L
- Idonei per ambienti corrosivi
- Filetti NPT standard
- Rapida consegna
- ATEX 2014/34/UE  II 2G Ex h IIC T6/T5 Gb X
II 2D Ex h IIIC T85°C/T100°C Db X
- Approvato  ed 

Media / Fluido	Compressed air, inert gases, sweet and sour gases
Connection / Conessioni	1/8", 1/4", 1/2", 3/4", 1" NPT
Working pressure Pressione operativa	0...12bar
Operating Temperature Temperatura di esercizio	-55°C up to 150°C
Rumor reduction Riduzione del rumore	70%
Threads type / Tipi di filetto	NPT male std, BSPP (on request)

Air supply must be dry enough to avoid ice formation at temperatures below +2°C (+35°F).

*NB: 1/8" NPT SLSC flush silencers are available also with copper free aluminum alloy body

*NB: i silenziatori a scomparsa SLSC da 1/8" NPT sono disponibili con corpo in alluminio esente rame

BUILDING MATERIALS SS316L VERSION	Materiali costruttivi versione in 316L
Body in 316/316L bar stock stainless steel	Corpo in acciaio inossidabile da barra AISI316/316L
Cup in 316/316L bar stock stainless steel	Fondello in acciaio inossidabile AISI316/316L
Filter in sinterized 316 stainless steel wire	Filtro in filo di acciaio inossidabile AISI316 sinterizzato
Screws in A4 stainless steel	Viti in acciaio inossidabile A4

BUILDING MATERIALS ALUMINUM VERSION - ONLY SLSC 1/8" NPT SERIES	Materiali costruttivi versione in alluminio - solo serie SLSC 1/8" NPT
Body in copper free aluminum alloy	Corpo in alluminio esente rame
Filter in 316 stainless steel wire	Filtro in filo di acciaio inossidabile AISI316

Overall dimension

Dimensioni di ingombro

SLHF - high flow silencers

SLHF - silenzianti ad alta portata

Fig.1

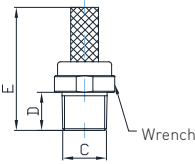
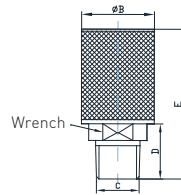


Fig.2



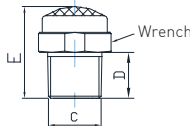
Models Modelli	Size-C Taglia	Thread Filetto	E (mm)	D (mm)	B (mm)	Wrench Chiave	Drawing Disegno
SLHF02NSS	1/8"	NPT male	28,5	9	-	13	Fig 1
SLHF04NSS	1/4"	NPT male	35,5	11	-	17	Fig 1
SLHF06NSS	3/8"	NPT male	40,65	13	-	19	Fig 1
SLHF08NSS	1/2"	NPT male	48,15	18,5	-	24	Fig 1
SLHF12NSS	3/4"	NPT male	69,5	20	58	36	Fig 2
SLHF16NSS	1"	NPT male	72,5	23	58	36	Fig 2

For version with BSPP thread, substitute the 'N' in the code with 'P'
Per la versione con filetto BSPP, sostituisce la 'N' nel codice con 'P'

SLVP - bug-screen silencers

SLVP - silenzianti anti insetto

Fig.3



Models Modelli	Size-C Taglia	Thread Filetto	E (mm)	D (mm)	Wrench Chiave	Drawing Disegno
SLVP02NSS	1/8"	NPT male	17	9	13	Fig 3
SLVP04NSS	1/4"	NPT male	22	11	17	Fig 3
SLVP06NSS	3/8"	NPT male	20,5	13	19	Fig 3
SLVP08NSS	1/2"	NPT male	26,5	18,5	24	Fig 3
SLVP12NSS	3/4"	NPT male	30	20	30	Fig 3
SLVP 16NSS	1"	NPT male	37	24,5	36	Fig 3

For version with BSPP thread, substitute the 'N' in the code with 'P'
Per la versione con filetto BSPP, sostituisce la 'N' nel codice con 'P'

SLSC- Flush silencers

SLSC - Silenzianti a scomparsa

Fig.4

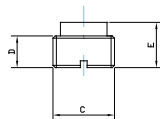
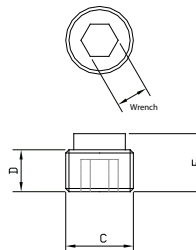


Fig.5







Models Modelli	Size-C Taglia	Thread Filetto	E (mm)	D (mm)	Wrench Chiave	Drawing Disegno
SLSC02NSS*	1/8"	NPT male	8	6.5	5	Fig 5
SLSC04NSS	1/4"	NPT male	9,5	7	-	Fig 4

* Copper free aluminum alloy body / Esecuzione con corpo alluminio esente ramemod: SLSC02NAL

Stainless steel 316L dust excluder - PV & PVSL series

Dust excluder in SS316L - Serie PV e PVSL

- Effective protection of exhaust ports against dirt, dust, moisture and insects
- Large flow capacity (no obstruction of the flow)
- Tightly closed exhaust port
- Low break away pressure
- Self-cleaning action
- Stainless steel 316 construction
- Suitability for corrosive environments
- ATEX 2014/34/UE II 2G Ex h IIC T6/T5 Gb X
II 2D Ex h IIIC T85°C/T100°C Db X
-  &  approved

- Protezione delle connessioni di scarico da sporco, polvere, umidità ed insetti.
- Grande capacità di flusso (nessuna ostruzione del passaggio)
- Porte di scarico a tenuta soffice
- Bassa caduta di pressione
- Azione auto-pulente
- Costruzione in acciaio inossidabile AISI316
- Idoneità agli ambienti corrosivi
- ATEX 2014/34/UE II 2G Ex h IIC T6/T5 Gb X
II 2D Ex h IIIC T85°C/T100°C Db X
- Approvato  ed 



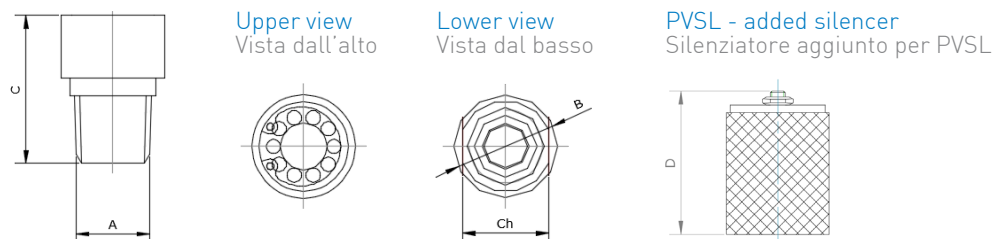
Media / Fluido	Compressed air, inert gases, sweet and sour gases
Connection / Connessioni	1/4", 1/2", 3/4", 1" NPT
Operating Temperature Temperatura di esercizio	-20°C up to 80°C
Threads type / Tipi di filetto	NPT male

Air supply must be dry enough to avoid ice formation at temperatures below +2°C (+35°F).

BUILDING MATERIALS	Materiali costruttivi
Body in 316/316L bar stock stainless steel	Corpo in acciaio inossidabile da barra AISI316/316L
Loking disk in 316/316L bar stock stainless steel	Disco bloccante in acciaio inossidabile AISI316/316L
Diaphragm in NBR, HNBR, LT, FKM, Special	Membrana in NBR, HNBR, LT, FKM, Speciali
Screws and washers in stainless steel	Viti e rondelle in acciaio inossidabile A4

Overall dimension

Dimensioni di ingombro



Models Modelli	Size-A Taglia	Thread Filetto	B (mm)	C (mm)	Wrench Chiave	D (mm)
PV04NSS**0	1/4"	NPT male	18	30	15	20
PV08NSS**0	1/2"	NPT male	29	42	24	38
PV12NSS**0	3/4"	NPT male	50	55	46	40
PV16NSS**0	1"	NPT male	50	55	46	40

** Refers to seals type: FK→FKM NB→NBR LT→EPDM FL→FVMQ HN→HNBR

To have the AISI316 wire silencer mounted, use code PVSL (and for dimensions, add height D to height C)/
per aggiungere silenziatore in filo in 316, usare il codice PVSL (per le dimensioni, aggiungere equota D ad altezza C)

SS 304 case, nickel plated connection Bourdon pressure gauges – MBSN series

Manometri Bourdon cassa inox, connessione nichelata – Serie MBSN

- Suitable to onshore, pharmaceutical, chemical, medical and industrial applications
- Stainless steel case construction
- Suitable for gas or liquids not corrosive to the copper alloy
- EN837-1
- ATEX 2014/34/UE II 2G Ex h IIC T6/T5 Gb X / I 2D Ex h IIIC T85°C/T100°C Db X
- Adatto in applicazioni chimiche, farmaceutiche, medicali ed industriali
- Costruzione con cassa in acciaio inossidabile
- Idonei per gas o liquidi compatibili con le leghe di rame
- EN837-1

www.sitecna.eu

Media / Fluido	Compressed air, inert gases, liquids
Gauge Connection / Connessione manometro	1/8"-1/4"NPT backside
Working range Range operativo	75% of full scale value
Overpressure Sovrappressione	25%
Accuracy / Precisione	2,5%
Operating Temperature Temperatura di esercizio	-25°C up to 65°C
Process Temperature Temperatura di processo	0°C up to 65°C
Weather protection Protezione ambientale	IP40



Air supply must be dry enough to avoid ice formation at temperatures below +2°C (+35°F).

Models Modelli	Diameter Diametro	Scale Scala	Thread Filetto	Stocked Gestito a magazzino
MBSNP4S2PN3S	40mm	0/2BAR +psi+kpa	1/8"NPT backside	Yes
MBSNP4S2PN04	40mm	0/2,5BAR+psi+kpa	1/8"NPT backside	Yes
MBSNP4S2PN05	40mm	0/4BAR+psi+kpa	1/8"NPT backside	Yes
MBSNP4S2PN6S	40mm	0/7BAR+psi+kpa	1/8"NPT backside	Yes
MBSNP4S2PN07	40mm	0/10BAR+psi+kpa	1/8"NPT backside	Yes
MBSNP4S2PN92	40mm	0/10kg/cm2	1/8"NPT backside	Yes
MBSNP5S2PN07	50mm	0/10BAR+psi+kpa	1/8"NPT backside	Yes
MBSNP5S4PN05	50mm	0/4BAR+psi+kpa	1/4"NPT backside	Yes
MBSNP5S4PN6S	50mm	0/7BAR+psi	1/4"NPT backside	Yes
MBSNP5S4PN07	50mm	0/10BAR+psi	1/4"NPT backside	Yes



Other execution om request / oltre verisoni disponibili su richiesta

Building Materials	Materiali costruttivi
Threaded connection in nickel plated brass	Connessione filettata in ottone nichelato
Bourdon tube C type in copper alloy	Molla Bourdon di tipo c in lega di rame
Movement in copper alloy	Movimento in lega di rame
Case in AISI304 stainless steel	Cassa in acciaio inossidabile AISI304
Case ring in AISI304 stainless steel	Anello della cassa in acciaio inossidabile AISI304
Pointer in black aluminum	Lancetta in alluminio nero
Dial in painted aluminum	Quadrante in alluminio verniciato

BT-MBSN/C20A

All stainless steel Bourdon type standard pressure gauges – MBSS & MBS6 series

Manometri Bourdon standard tutto inox – Serie MBSS e MBS6

- Suitable to offshore, onshore, pharmaceutical, chemical, medical and industrial applications
- Stainless steel case construction
- Suitable for gas or liquids
- Dry or liquid filled versions
- EN837-1
- ATEX 2014/34/UE  II 2G Ex h IIC T6/T5 Gb X /  II 2D Ex h IIIC T85°C/T100°C Db X
- Adatto ad offshore/onshore applicazioni chimiche, farmaceutiche, medicali ed industriali
- Costruzione con cassa in acciaio inossidabile
- Idonei per gas o liquidi
- Versioni a secco o con riempimento
- EN837-1

Media / Fluido	Compressed air, inert gases, sweet and sour gases, liquids
Gauge Connection / Connessione manometro	1/8", 1/4"NPT backside
Working range Range operativo	75% of full scale value
Overpressure / Sovrappressione	25%
Accuracy / Precisione	2.5%
Operating Temperature Temperatura di esercizio	-55°C up to +90°C
Process Temperature Temperatura di processo	100°C max
Weather protection Protezione ambientale	IP65



Air supply must be dry enough to avoid ice formation at temperatures below +2°C (+35°F).

Models Modelli	Diameter Diametro	Window Trasparente	Scale Scala	Thread Filetto	Stocked da stock	Notes Note
MBSSP4S2PN02	40mm	Polycarbonate	0/1BAR	1/8"NPT backside	No	
MBS6P4S2PN04	40mm	Polycarbonate	0/2,5BAR+psi+kpa	1/8"NPT backside	No	SS316 case
MBS6V4S2PN04	40mm	Glass	0/2,5BAR+psi+kpa	1/8"NPT backside	No	SS316 case
MBS6P4S2PN102	40mm	Polycarbonate	0/2,5kg/cm2+psi	1/8"NPT backside	No	SS316 case
MBS6P4S2PN05	40mm	Polycarbonate	0/4BAR+psi+kpa	1/8"NPT backside	Yes	SS316 case
MBS6V4S2PN05	40mm	Glass	0/4BAR+psi+kpa	1/8"NPT backside	Yes	SS316 case
MBSSP4S2PN6S	40mm	Polycarbonate	0/7BAR+psi+kpa	1/8"NPT backside	No	
MBS6P4S2PN07	40mm	Polycarbonate	0/10BAR+psi+kpa	1/8"NPT backside	Yes	SS316 case
MBS6V4S2PN07	40mm	Glass	0/10BAR+psi+kpa	1/8"NPT backside	Yes	SS316 case
MBSSP5S2PN04	50mm	Polycarbonate	0/2,5BAR+psi	1/8"NPT backside	No	
MBSSP5S2PN05	50mm	Polycarbonate	0/4BAR+psi	1/8"NPT backside	No	
MBSSP5S2PN6S	50mm	Polycarbonate	0/7BAR+psi	1/8"NPT backside	No	
MBS6P5S2PN07	50mm	Polycarbonate	0/10BAR+psi+kpa	1/8"NPT backside	Yes	SS316 case
MBS6V5S2PN07	50mm	Glass	0/10BAR+psi+kpa	1/8"NPT backside	Yes	SS316 case
MBS6P5S4PN07	50mm	Polycarbonate	0/10BAR+psi+kpa	1/4"NPT backside	Yes	SS316 case
MBS6V5S4PN07	50mm	Glass	0/10BAR+psi+kpa	1/4"NPT backside	Yes	SS316 case
MBS6P6S4PN07	60mm	Polycarbonate	0/10BAR+psi+kg/cm2	1/4"NPT backside	Yes	SS316 case
MBS6S6S4PN07	60mm	Safety Glass	0/10BAR+psi+kg/cm2	1/4"NPT backside	Yes	SS316 case
MBSSP4S2PN100	40mm	Polycarbonate	0/7kg/cm2+psi	1/8"NPT backside	No	
MBS6P4S2PN92	40mm	Polycarbonate	0/10kg/cm2	1/8"NPT backside	No	SS316 case
MBS6P5S2PN92	50mm	Polycarbonate	0/10kg/cm2	1/8"NPT backside	No	SS316 case
MBS6P4S2PG23-ATEX	40mm	Polycarbonate	0/300bar	1/8"NPT backside	No	SS316 case

* All the MBS6 can be supplied with glycerine filling or silicon oil filling: substitute the S at the 7th digit of the code with G (for glycerine) or with SI (for silicon oil)

Other execution om request / oltre versioni disponibili su richiesta

Building Materials	Materiali costruttivi
Threaded connection in AISI316/316L stainless steel	Connessione filettata in acciaio inossidabile AISI316/316L
Movement in AISI316 stainless steel	Movimento acciaio inossidabile AISI316
Case in AISI304 or AISI316 stainless steel	Cassa in acciaio inossidabile AISI304 o AISI316
Pointer in black aluminum	Lancetta in alluminio nero
Dial in painted aluminum	Quadrante in alluminio verniciato

www.sitecna.eu

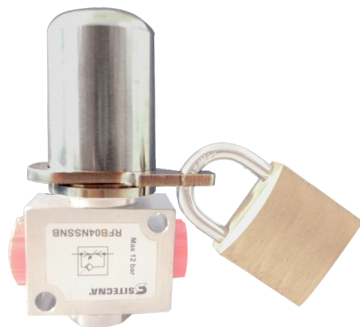
Stainless steel tamperproof kit - KTAM series

Kit anti-manomissione in acciaio inossidabile - serie KTAM

The anti-tamper kit is an all stainless steel locking cap that prevents unintended or malicious pressure adjustment and accidental damage to the adjusting screw.

The cap is lockable by means of a padlock, an hasp or lock and so it provides rugged security and ease of use for all applications.

- Suitable to onshore, offshore, pharmaceutical, medical and food applications
- Full stainless steel construction
- Suitable for corrosive environments



Il kit anti-manomissione è un sistema di bloccaggio interamente in acciaio inossidabile che previene modifiche di pressione - involontarie o dolose - e danni accidentali alla vite di regolazione. Il sistema può essere chiuso tramite un lucchetto, un fermaglio o un cavo in acciaio e fornisce così sicurezza e facilità d'uso in tutte le applicazioni.

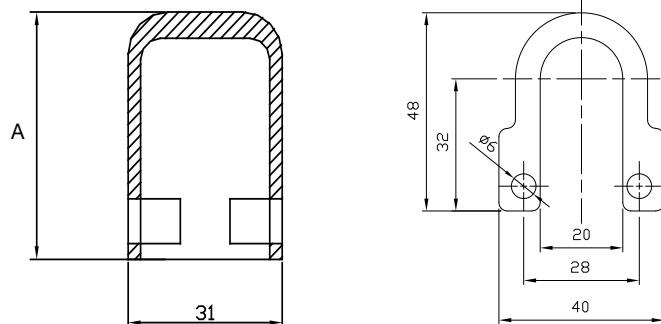
- Adatto in applicazioni marine, petrolchimiche, farmaceutiche, medicali e alimentari
- Costruzione completamente in acciaio inossidabile
- Idonei per ambienti corrosivi

Overall dimension

Dimensioni

KTAM 1/4", 3/8", 1/2": A = 47mm

KTAM 3/4", 1": A = 55mm



Sitecna's products that can use KTAM

Prodotti Sitecna che possono montare il KTAM

Product Prodotto	Size Dimensioni	Models Modello
Filter Regulators	1/4", 3/8", 1/2", 3/4", 1" NPT	FR04, FR06, FR08, FR12, FR16
Regulators	1/4", 3/8", 1/2", 3/4", 1" NPT	R04, R06, R08, R12, R16
Back Pressure Regulators	1/4"NPT	BP04
Pneumatic 2&3 Ways Switching Valves	1/4"NPT	SV04, S304
Uni & Bi-Directional Flow Regulators	1/4"NPT	RFU04, RFB04
Uni & Bi-Directional Flow Regulators*	3/8", 1/2", 3/4", 1"NPT	RFU06, RFU08, RFU12, RFU16 RFB06, RFB08, RFB12, RFB16

*Available only as option on new products and not as retro-fit item

Disponibile solo come opzione su nuovi prodotti e non come accessorio a parte

BT-KTAM/C21A

www.sitecna.eu

AISI316L Hexagonal ball valves - VS serie

Valvole a sfera esagonali in AISI316L - serie VS

- AISI 316L construction
- 2/2 ON/OFF function
- 1/4" (Dn 5mm) - 1/2" (Dn 9mm) sizes
- Compact size
- Low torque quarter turn actuation
- Bi-directional flow
- Anti blow-out spindle
- Standard NPT female threads
- Full material traceability
- ATEX 2014/34/UE (pending)
- & approved (pending)



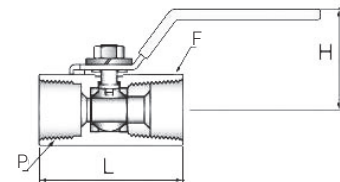
- Materiale di costruzione AISI 316L
- Funzione 2/2 ON/OFF
- Taglie da 1/4" (Dn 5 mm) e 1/2" (Dn 9mm)
- Dimensioni contenute
- Attuazione a un quarto di giro a bassa coppia
- Flusso bi-direzionale
- Stelo anti-espulsione
- Filetti femmina NPT standard
- Completa rintracciabilità dei materiali
- ATEX 2014/34/UE (pending)
- Approvato ed (pending)

Media / Fluido	steam, water, air, compatible gases
Port thread / Connessioni	1/4", 1/2" NPT F
Working pressure Pressione di lavoro	up to 1000 psi (70bar at 38°C)
Working Temperature Temperatura di esercizio	-30° up to 200°C
Stocking Temperature Temperatura di stoccaggio	-45 up to 220°C

Overall dimension

Dimensioni

CODE Codici	DIMENSIONS mm - Dimensioni mm				
	P	Dn	L	H	Wrench F
VS041K0000SSPT0	1/4" NPT	5	40	33	17
VS081K0000SSPT0	1/2" NPT	9	56	42	27



BUILDING MATERIALS	Materiali costruttivi
Body & nuts in AISI316 stainless steel	Corpo e dadi in acciaio inossidabile AISI316
Internal parts in AISI316	Parti interne in AISI316
Handle in AISI304 + PVC	Leva in AISI304 + PVC
Ball seat in PTFE	Sede valvola in PTFE

BT-VSSS/C21A

www.sitecna.eu

AISI316 Auxiliary assembly Fittings - 30bar / 450PSI max operationg pressure

Raccordi ausiliari per montaggio in AISI316 - pressione massima di utilizzo 30bar / 45PSI

- Suitable to onshore, offshore, pharmaceutical, medical and food applications
- Full stainless steel construction
- Suitable for corrosive environments
- NPT standard threads
- Quick delivery

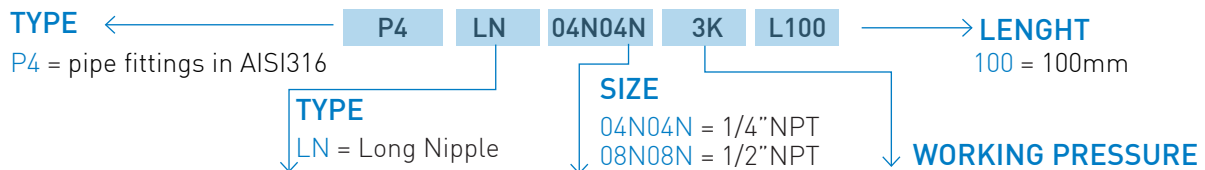
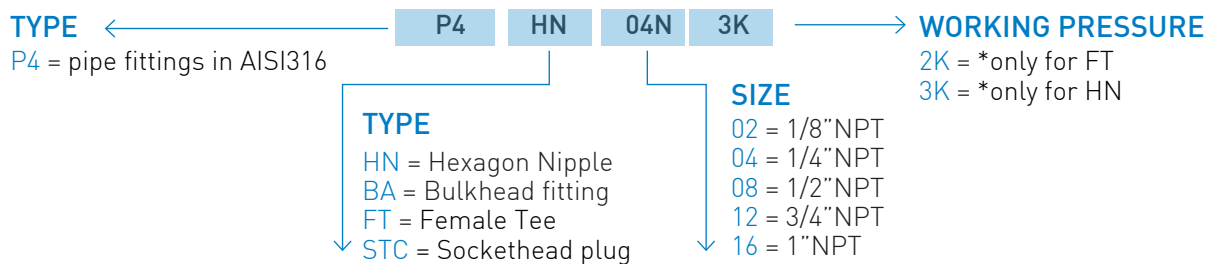
- Adatto in applicazioni marine, petrolchimiche, farmaceutiche, medicali e alimentari
- Costruzione completamente in acciaio inossidabile
- Idonei per ambienti corrosivi
- Filetti NPT standard
- Rapida consegna



Media / Fluido	steam, water, air, compatible gases
Port thread / Connessioni	1/8", 1/4", 1/2", 3/4", 1"NPT
Max operating pressure Pressione di lavoro massima	30bar (450PSI)

Ordering information

Come ordinare



BUILDING MATERIALS	Materiali costruttivi
machined from bar stock in AISI316/316L stainless steel (ASTM A479, ASME SA479)	lavorati da barra in acciaio inossidabile AISI316/316L (ASTM A479, ASME SA479)
shaped from castings in CF3M/316L stainless steel	In acciaio inossidabile microfuso CF3M/316L

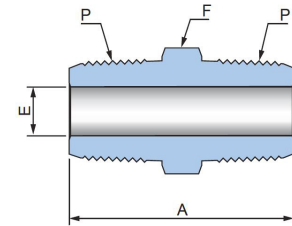
Overall dimension

Dimensioni

P4HN - Hexagon Nipple

P4HN - Niplo esagonale

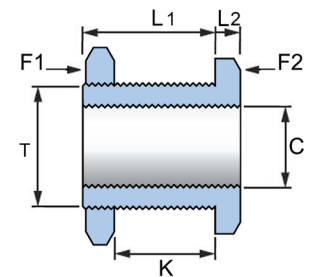
CODE Codici	DIMENSIONS mm - Dimensioni mm			
	P	E	Wrench F	A
P4HN04N3K	1/4"NPT	6,8	14	35
P4HN08N3K	1/2"NPT	9,7	22	46,7
P4HN12N3K	3/4" NPT	15,3	27	46,7
P4HN16N3K	1" NPT	21,8	35	60



P4BA - Bulkhead fitting

P4BA - Passaparete

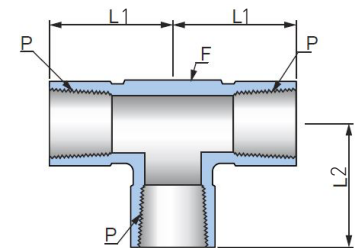
CODE Codici	DIMENSIONS mm - Dimensioni mm						
	C	Wrench		Kmax	L1	L2	T
		F1	F2				
P4BA04N	1/4"NPT	27	24	17	23	5	20,5
P4BA08N	1/2"NPT	36	32	22	29	6	28,5
P4BA12N	3/4"NPT	41	41	22	30	6	34,5



P4FT- Female Tee

P4FT - Raccordo a T femmina

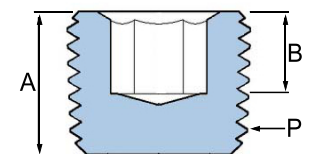
CODE Codici	DIMENSIONS mm - Dimensioni mm			
	P	L1	L2	Wrench F
P4FT04N2K	1/4"NPT	19	18,5	14
P4FT08N2K	1/2"NPT	30	30	20



P4STC- Sockethead plug

P4STC- Tappo ad esagono incassato

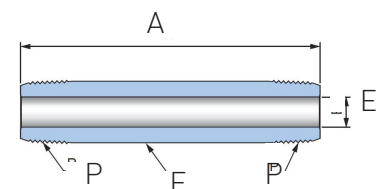
CODE Codici	DIMENSIONS mm - Dimensioni mm			
	P	A	B	Wrench
P4STC02N	1/8"NPT	7	4	4
P4STC04N	1/4"NPT	10	4	6



P4LN - Long Nipple

P4LN - Niplo lungo

CODE Codici	DIMENSIONS mm - Dimensioni mm			
	P	E	Wrench F	A
P4LN04N04N3KL100	1/4"NPT	6,8	14	100
P4LN08N08N3KL100	1/2"NPT	12	22	100





TECHNICAL INFORMATION



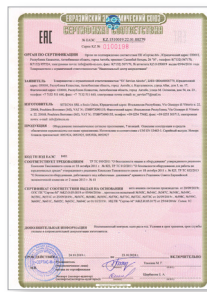
Technical information Informazioni tecniche



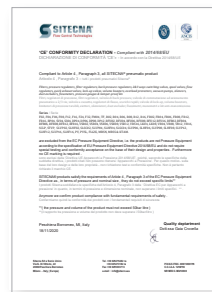
ISO 9001 certificate
Certificato ISO 9001



2014/34/EU air equipments declaration
Dichiarazione 2014/34/UE trattamento aria



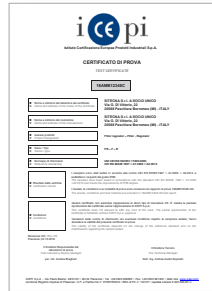
EAC certification
Certificazione EAC



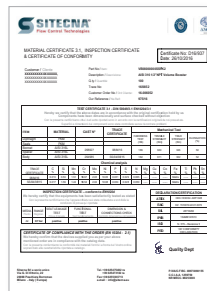
PED declaration
Dichiarazione PED



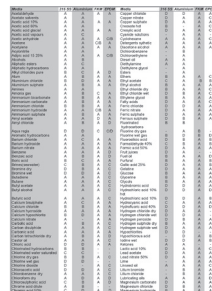
SIL certificate
Certificato SIL



IP66 test certificate
Certificato di prova IP66



EN10204/3.1 & Test certificate prototype
Prototipo certificato EN10204/3.1 e test di collaudo



Materials compatibility & temperature chart
Tabella compatibilità e temperature dei materiali



Certificato di conformità
Certificate of conformity

N. 579 - Revisione 7

Il sistema di gestione per la qualità di <i>The quality management system of</i>	SITECNA Srl Via G. Di Vittorio 22 20068 Peschiera Borromeo MI
È conforme alla norma <i>Is in compliance with the standard</i>	UNI EN ISO 9001:2015 ISO 9001:2015
Per il seguente campo di applicazione <i>For the following field of application</i>	Commercializzazione, sviluppo, progettazione e assemblaggio di apparecchiature e sistemi pneumatici, idraulici, elettromeccanici, elettrici ed elettronici (IAF 29/18) <i>Commercialisation, development, design and assembly of pneumatic, hydraulic, electromechanical, electrical and electronic systems and equipment (IAF 29/18)</i>
Siti <i>Sites</i>	Peschiera Borromeo MI <i>Peschiera Borromeo MI (Italy)</i>

La validità del Certificato è soggetta al rispetto delle condizioni stabilite nel Regolamento per la certificazione di ANCIS Srl
The validity of the Certificate is subject to the respect for the conditions established in the ANCIS Srl Regulations

La validità del Certificato è subordinata a sorveglianza periodica ed al riesame completo con periodicità triennale
The validity of the Certificate is subordinate to periodic surveillance and to a complete reassessment at 3-year intervals

Riferirsi alla documentazione aziendale per i dettagli delle esclusioni ai requisiti della Norma ISO 9001:2015
Please refer to the company documents for the details of the requirement exclusions to the ISO 9001:2015 Regulation

16 gennaio 2012
Prima emissione
First issue

15 gennaio 2021
Emissione corrente
Current issue

15 gennaio 2024
Scadenza
Expiry date

..........
Amministratore Unico

ANCIS Srl
segreteria@ancis.it • www.ancis.it
I • 20122 Milano • Viale Bianca Maria 35
Telefono +39 020062051 • Telefax +39 0276003647



SOQ N°028A

Membro di MLA EA per gli schemi di accreditamento
SOQ, SOA, PRD, PMS, ISP, OHO, LAB, LAT, PIP e RPP
di MLA IAF per gli schemi di accreditamento
SOQ, SOA, SSI, PSM, PRD e PMS e di MLA ILAC per
gli schemi di accreditamento LAB, MED, LAT e ISP



Trace No: xxxxx

Dichiarazione di conformità UE
In accordo con la Direttiva Europea 2014/34/UE

EU-Declaration of Conformity
In accordance with Directive 2014/34/EU

Noi, Sitecna Srl, dichiariamo che i seguenti prodotti / Sitecna Srl declares that the following equipment:

Product	model	Product	model	Product	model
Filter	F...	Volume booster	VB...	Flow regulator	RFB..., RFLU...
Regulator	R...	Control spool valve	DP...	Glass tube flowmeter	FLGSS...
Filter Regulator	FR...	Quick exhaust valve	VSR...	Vacuum pump	ST-VP...
Back Pressure valve	BP...	Lock-up valve	LK...	Silencer	SLHF..., SLMP..., SILSC...
2 ways switching valve	SV...	Overload protector	SCLP...	Dust excluder	PV..., PVSL...
3 ways switching valve	SL...	Tea Filter	TF	Pressure gauge	MBS5..., MBS6..., MBSM...

Sono conformi alla normativa di armonizzazione dell'Unione / They comply with the Union harmonization legislation:

Direttiva 2014/34/UE ATEX	<p>Direttiva 2014/34/UE del Parlamento europeo e del Consiglio, del 26 febbraio 2014, concernente l'armonizzazione delle legislazioni degli Stati membri relative agli apparecchi e sistemi di protezione destinati a essere utilizzati in atmosfera potenzialmente esplosiva (pressione) Testo rilevante ai fini del SEE.</p> <p>Directive 2014/34/EU of the European Parliament and of the Council of 26 February 2014 on the harmonisation of the laws of the Member States relating to equipment and protective systems intended for use in potentially explosive atmospheres (pressure) Text with EEA relevance.</p>
----------------------------------	---

Secondo le seguenti Norme di riferimento / As per following reference Normative Documents:

EN ISO 9079-30:2010	<p>Atmosfera esplosiva - Apparecchi non elettrici per atmosfera esplosiva - Metodo di base e requisiti</p> <p>Explosive atmospheres - Non-Electrical equipment for explosive atmospheres - Basic method and requirements</p>
EN ISO 9079-37:2010	<p>Atmosfera esplosiva - Apparecchi non elettrici per atmosfera esplosiva - Tipo di protezione non elettrica per sicurezza costruttiva "t", per controllo della sorgente di accensione "t", per immersione in liquido "t"</p> <p>Explosive atmospheres - Non-Electrical equipment for explosive atmospheres - Non-electrical type of protection constructional safety "t", control of ignition sources "t", liquid immersion "t"</p>
EN 1127-1:2011	<p>Atmosfera esplosiva - Prevenzione dell'esplosione e protezione contro l'esplosione - Concetti fondamentali e metodologia</p> <p>Explosive atmospheres - Explosion prevention and protection - Basic concepts and methodology</p>

Ai sensi della Direttiva 2014/34/UE, i prodotti sopra indicati riportano la seguente marcatura / According to the Directive 2014/34/EU, above mentioned products reports the following marking:

II 2S Ex h IIC T10T5 Gb X
II 2D Ex h IIC T1S*G/T10M* Cb X

Inoltre, ai sensi della direttiva 2014/34/UE, i prodotti sopra menzionati sono oggetto, per gli aspetti relativi sia alla progettazione sia alla fabbricazione, al controllo interno di fabbricazione (Allegato VIII - Modulo A). Ref 557EX-Ab 321329 o/n° 0035 TÜV Rheinland.
In conformity to Directive 2014/34/EU, the above mentioned equipment, regarding their design and production, are object to internal manufacturing check (Attachment VIII - Module A). Ref 557EX-Ab 321329 o/n° 0035 TÜV Rheinland.

La presente dichiarazione di conformità è rilasciata sotto la responsabilità esclusiva del fabbricante.
This declaration of conformity is issued under exclusive responsibility of the manufacturer.

Milan, 20/05/2020
Davide Matteo De Corrado
Managing Director

Sitecna Srl a socio unico
Via G. Di Vittorio, 22
20068 Peschiera Borromeo
Milano - Italy (Europe)

Tel. +39 025475482 ra
+39 025473182 ra
Fax +39 0255303713
e-mail : info@sitecna.eu

P.IVA/IC.FISC. 08973090155
NR MECC. MI253803
C.C.I.A.A. 1259759

ЕВРАЗИЙСКИЙ ЭКОНОМИЧЕСКИЙ СОЮЗ
СЕРТИФИКАТ СООТВЕТСТВИЯ



№ ЕАЭС KZ.1510019.22.01.00279

Серия KZ № 0100198

ОРГАН ПО СЕРТИФИКАЦИИ Орган по подтверждению соответствия ПК «Сертис-М», Юридический адрес: 030012, Республика Казахстан, Актюбинская область, город Актюбе, проспект Санкибай батыра, 26 "Н", телефон: 8(7132) 567170, 8(7132) 957524, электронная почта: info@sertis-m.com, факс: 8(7132) 567170, № аттестата KZ.O.050019 выдан 05/04/2016 года Товариществом с ограниченной ответственностью "Национальный центр аккредитации"

ЗАЯВИТЕЛЬ Товарищество с ограниченной ответственностью "SV Service Aktobe", БИН: 080640000779, Юридический адрес: 030004, Республика Казахстан, Актюбинская область, город Актюбе, с. Каргалинское, улица Абая, дом 3, кв. 17, Фактический адрес: 030000, Республика Казахстан, Актюбинская область, город Актюбе, улица М. Оспанова, дом 54, кв. 23, телефон: +7 7132 511 640, факс: +7 7132 511 640, электронная почта: e-mail: sv_service77@mail.ru

ИЗГОТОВИТЕЛЬ SITECNA SRL a Socio Unico, Юридический адрес: Итальянская Республика, Via Giuseppe di Vittorio n. 22, 20068, Peschiera Borromeo (MI), VAT N.: IT08973090155; Фактический адрес: Итальянская Республика, Via Giuseppe di Vittorio n. 22, 20068, Peschiera Borromeo (MI), VAT N.: IT08973090155, телефон: +39 0254 75482, факс: +39 0255 303713, электронная почта: e-mail: info@sitecna.eu

ПРОДУКЦИЯ Оборудование пневматическое согласно приложению, 7 позиций. Описание конструкции и средств обеспечения взрывозащиты согласно приложению. Изготовлено в соответствии с UNI EN 13463-1. Серийный выпуск. Номера бланков приложений: 0053924, 0053925, 0053926, 0053927

КОД ТН ВЭД ЕАЭС 8481

СООТВЕТСТВУЕТ ТРЕБОВАНИЯМ ТР ТС 010/2011 "О безопасности машин и оборудования" утвержденного решением Комиссии Таможенного союза от 18 октября 2011 г. № 823, ТР ТС 012/2011 "О безопасности оборудования для работы во взрывоопасных средах" утвержденного решением Комиссии Таможенного союза от 18 октября 2011 г. № 825, ТР ТС 032/2013 "О безопасности оборудования, работающего под избыточным давлением" принятого Решением Совета Евразийской экономической комиссии от 2 июня 2013 г. № 41

СЕРТИФИКАТ СООТВЕТСТВИЯ ВЫДАН НА ОСНОВАНИИ акта анализа состояния производства от 20/09/2019г. ОПС ПК "Сертис-М" №KZ.O.05.0019 от 05/04/2016г., протоколов испытаний №545С, №546С, №547С, №548С, №549С, №550С, №551С от 25/09/2019г., №567С, №568С, №569С, №570С, №571С, №572С, №573С от 26/09/2019г., №598С, №599С, №600С, №601С, №602С, №603С, №604С от 01/10/2019г. ИЦ ПК "Сертис-М" №KZ.И.05.0172 от 25/04/2016г. Схема: 1С

ДОПОЛНИТЕЛЬНАЯ ИНФОРМАЦИЯ Инспекционный контроль один раз в год. Условия и срок хранения, срок службы указаны в сопроводительной документации изготовителя.

СРОК ДЕЙСТВИЯ с 24.10.2019 г. по 23.10.2024 г. **ВКЛЮЧИТЕЛЬНО**

М.П. Руководитель (уполномоченное лицо) органа по сертификации Темкина М. Г. (Ф.И.О.)

М.П. Эксперт (эксперт-аудитор) (эксперты(эксперты-аудиторы)) Щербакова Е. А. (Ф.И.О.)

'CE' CONFORMITY DECLARATION - Compliant with 2014/68/EU

DICHIARAZIONE DI CONFORMITÀ 'CE' - In accordo con la Direttiva 2014/68/UE

Compliant to Article 4 , Paragraph 3, all SITECNA® pneumatic product
Articolo 4 , Paragrafo 3 – tutti i prodotti pneumatici Sitecna®

Filters, pressure regulators, filter regulators, back pressure regulators, 2&3 ways switching valves, spool valves, flow regulators, quick exhaust valves, lock-up valves, volume boosters, overload protectors, vacuum pumps, silencers, dust excluders, flowmeters, pressure gauges & tamper-proof kit.

Filtri, regolatori di pressione, filtri regolatori, valvole di back pressure, valvole di commutazione ad azionamento pneumatico a 2/3 vie, valvole a cassetto, regolatori di flusso, scarichi rapidi, valvole di lock-up, volume boosters, limitatori di pressione tarabili, eiettori, silenziatori, dust excluder, flussimetri, manometri e kit anti-manomissione.

Series / Serie

F02, F04, F06, F08, F12, F16, F24, F32, FM04, TF, R02, R04, R06, R08, R12, R16, FR02, FR04, FRH4, FR06, FR08, FR12, FR16, BP04, SV04, S304, DP04, DP06, DP08, DP12, RFU02, RFU04, RFU06, RFU08, RFU12, RFU16, RFB02, RFB04, RFB06, RFB08, RFB12, RFB16, VSR02, VSR04, VSR06, VSR08, VSR12, VRS16, LK04, LK08, VB04, VB08, VB12, VB16, SCLP, STVP, SLVP02, SLHF02, SLSC02, SLVP04, SLHF04, SLSC04, SLVP06, SLHF06, SLVP08, SLHF08, SLVP12, SLHF12, SLVP16, SLHF16, PV, PVSL, FLGSS, MBSN, MBSS & KTAM.

are excluded from the EC Pressure Equipment Directive, i.e. the products are not Pressure Equipment according to the specification of EU Pressure Equipment Directive 2014/68/EU and do not require special testing and conformity acceptance on the base of their design and properties . Furthermore no CE marking is required .

sono esclusi dalla 'Direttiva UE Apparecchi a Pressione 2014/68/UE', poiché, secondo le specifiche della suddetta direttiva, i prodotti citati non possono ritenersi 'Apparecchi a Pressione'. Per questo motivo- sulla base del loro design e delle loro proprietà - non richiedono test e conformità specifiche. Non è pertanto richiesto il marchio CE.

SITECNA® products satisfy the requirements of Article 4 , Paragraph 3 of the EC Pressure Equipment Directive as , in terms of pressure and nominal size , they do not exceed specific limits**

I prodotti Sitecna soddisfano le specifiche dell'Articolo 4, Paragrafo 3 della 'Direttiva EC per Apparecchi a pressione' in quanto, in termini di pressione e dimensione nominale, non superano i limiti specifici. ** .

Any more we confirm product compliance with fundamental requirements of safety .
Confermiamo quindi la conformità dei prodotti con i fondamentali requisiti di sicurezza

**(the pressure and volume of the product must not exceed 50bar litre)

**(il rapporto tra pressione e volume del prodotto non deve superare i 50bar/litro)

Peschiera Borromeo, MI, Italy

03/03/2021

Quality department
Dott.ssa Gaia Crocella



Sitecna Srl a Socio Unico
Via G. Di Vittorio, 22
20068 Peschiera Borromeo
Milano - Italy (Europe)

Tel. +39 025475482 ra
+39 025473182 ra
Fax +39 0255303713
e-mail : info@sitecna.eu

P.IVA/C.FISC. 08973090155
C.C.I.A.A. 1259759
NR MECC. MI253803



MATERIAL CERTIFICATE 3.1, INSPECTION CERTIFICATE & CERTIFICATE OF CONFORMITY

Certificate No: D21/027
Date: 17/02/2021

Customer / Cliente
XXXXXXX,
XXXXXXXXXXXXX
XXXXXXXXXXXXX
XXXXXX

Part No / Item: **FR04411B00ALNB2**
Description / Descrizione: **Aluminum alloy 1/2"NPT Filter regulator**
Q.ty / Quantità: **10**
Trace No: **21/0253**
Customer Order No / Ord Cliente: **160134**
Our Reference / Ns Ref: **147/21**
DDT **185 - 11/02/2021**

TEST CERTIFICATE 3.1 - DIN 50049/3.1 EN10204/3.1														
Hereby we certify that the above datas are in accordance with the original certification hold by us Components have been dimensionally and surface checked without objection Con la presente certifichiamo che i dati sotto riportati sono in accordo con le certificazioni originali da noi possedute. Superfici e dimensioni dei componenti sono state controllate senza riscontrare problemi														
ITEM	MATERIAL	CAST N°	TRACE CERTIFICATE	Mechanical Test										
				HARDNESS TEST (HRB) Min - max	TENSILE STRENGHT (MPa) Min - max	YIELD STRENGHT (MPa) Min - max	ELONGATION (%) Min - max							
Diphragm	NBR													
Seals	NBR													
Bonnet	Aluminum Alloy YL104	11-19	135/M/20	NR	NR	NR	NR							
Body	EN AW 6082 T6	5399/Z/6041	08/M/21	95	310-NR	260-NR	8-NR							
Bowl	UNI 3051 GALSI 9 Mn Mg	Y4DA4xcd	174/M/20	NR	NR	NR	NR							
Chemical analysis														
TRACE CERTIFICATE / CAST N°	Al %	Mn %	Si %	Cr %	Ni %	Ca %	Zn %	Sb %	Sn %	Mg %	Cu %	Fe %	Ti %	Pb %
135/M/20	Min	—	0.20	8.00	—	—	—	—	—	0.30	—	0.50	—	—
	Rilevata	resto	0.31	8.95	0.0435	<0.001	0.0038	0.161	<0.001	0.49	0.147	0.606	0.0196	0.0119
	Max	—	0.50	10.50	—	—	—	≤ 0.30	—	≤ 0.01	0.50	0.80	—	≤ 0.05
08/M/21	Min	—	0.4	0.70	—	—	—	—	—	0.6	—	—	—	—
	Rilevata	resto	—	—	—	—	—	—	—	—	—	—	—	—
	Max	—	1.0	1.30	0.25	—	—	0.20	—	1.2	—	0.5	0.1	—
174/M/20	Min	—	0.4000	8.5000	—	—	—	—	—	0.3000	—	—	—	—
	Rilevata	resto	0.4745	8.8282	0.0077	0.0059	0.0009	0.0237	<0,0001	0.4101	0.0394	0.3278	0.1145	0.00210
	Max	—	0.6000	9.5000	0.0500	0.1000	—	0.0500	—	0.4500	0.0500	0.5000	0.1500	0.0500

INSPECTION CERTIFICATE – conform to EN10204				
We hereby certify that the equipments has been satisfactorily tested as stated Con la presente certifichiamo che l'apparecchiatura è stata collaudata e soddisfa le condizioni di prova qui riportate				
MEDIA	RANGE	SEAT LEAKAGE TEST	FUNCTIONAL TEST	DIMENSION & CONNECTIONS CHECK
Fluido	Regolaz.	Prova di tenuta	Test funzionamento	Controllo dimensioni e connessioni
Air	0.4/10 bar	positive	positive	positive

CERTIFICATE OF COMPLIANCE WITH THE ORDER (EN 10204 - 2.1)
We hereby confirm that the devices supplied you as per your above mentioned order are in compliance with the catalog data. Con la presente confermiamo la conformità dei materiali forniti a fronte del Vostro ordine sopraccitato alle caratteristiche riportate a catalogo.

DECLARATION/CERTIFICATION	
ATEX	TÜV 557/Ex-Ab 3213/20
EAC	KZ. 1510019.22.01.00279
SIL3	TÜV 19-SIL-0010513-05-TIC
IP66	ICEPI 6AMB12348C
ISO	N. 579 – Revisione 7
PED	'CE' CONFORMITY DECLARATION



Sitecna Srl a socio unico
Via G. Di Vittorio, 22
20068 Peschiera Borromeo
Milano - Italy (Europe)

Tel. +39 025475482 ra
+39 025473182 ra
Fax +39 0255303713
e-mail : info@sitecna.eu

P.IVA/C.FISC. 08973090155
C.C.I.A.A. 1259759
NR MECC. MI253803



C E R T I F I C A T E

Certificate no. 19-SIL-0010513-05-TIC

WE HEREBY CERTIFY THAT

Product description FILTER REGULATORS / REGULATORS
Models SERIES FR / R
Manufacturer SITECNA S.r.l. a socio unico
 Via Giuseppe Di Vittorio 22 – 20068 Peschiera Borromeo MI

IS IN COMPLIANCE WITH THE REQUIREMENTS OF THE STANDARDS

IEC 61508 Parts 1–7:2010

AS RESULT OF THE ASSESSMENT ACCORDING TO THE PROVISION SET OUT IN THE ABOVE-MENTIONED STANDARDS

Summary Report no. RC-1119-SIL-TIC-PC-0010513-19-10

Expiry date 26.11.2022

Note

This certificate is issued upon the request of the manufacturer as voluntary certification; it does not include the production surveillance.
 This certificate does not allow the manufacturer to use the safety mark of TÜV INTERCERT.



Reggio Emilia, 27.11.2019

F. Feridoon
 Dipl. Ing. Feridoon Sergizzarea

TÜV INTERCERT Certification Body

Page 1 of 2



Istituto Certificazione Europea Prodotti Industriali S.p.A.

CERTIFICATO DI PROVA

TEST CERTIFICATE

16AMB12348C

■ Nome e indirizzo del detentore del certificato
■ Name and address of the holder of the certificate

SITECNA S.r.l. A SOCIO UNICO
Via G. Di Vittorio, 22
20068 Peschiera Borromeo (MI) - ITALY

■ Nome e indirizzo del costruttore
■ Name and address of the manufacturer

SITECNA S.r.l. A SOCIO UNICO
Via G. Di Vittorio, 22
20068 Peschiera Borromeo (MI) - ITALY

■ Genere prodotto
■ Product designation

Filter regulator – Filter - Regulator

■ Serie / Tipo
■ Series / type

FR – F – R

■ Norma(e) di riferimento
■ Reference standard(s)

UNI CEI EN ISO/IEC 17025:2005;
CEI EN 60529:1997 + A1:2000 + A2:2014

■ Risultato delle verifiche
■ Verification results

I campioni sono stati testati in accordo alla norma CEI EN 60529:1997 + A1:2000 + A2:2014 e soddisfano i requisiti del grado IP66.
The samples have been tested in accordance with the standard CEI EN 60529: 1997 + A1:2000 + A2:2014 and meets the requirements of IP66 degree.

I risultati, le condizioni e le modalità di prova sono contenuti nel rapporto di prova 16AMB12348 r00.
The results, conditions and test methods are included in 16AMB12348 r00 test report.

■ Condizioni
■ Conditions

Questo certificato non autorizza l'apposizione di alcun tipo di marcatura CE. È vietata la parziale riproduzione del certificato senza l'approvazione di ICEPI S.p.A.
This certificate does not allowed to affix any kind of EC mark. The partial reproduction of the certificate is forbidden without ICEPI S.p.A. approval.

Variazioni delle norme di riferimento e/o eventuali modifiche rispetto al campione testato, fanno decadere la validità del presente certificato di prova.
The validity of the certificate depends on the change of the reference standard and on the modifications regarding the sample tested.

Revisione r00 / Rev r00
Piacenza, 04.10.2016

Il Sostituto Responsabile del
laboratorio di prova
Test Laboratory Deputy Manager

per. ind. Andrea Braghieri

Il Direttore Tecnico
The Technical Manager

Dott. Ing. Andrea Guido Esposito

ICEPI S.p.A. - Via Paolo Belizzi, 29/31/33 • 29122 Piacenza • Tel. +39.0523.609585 • Fax: +39.0523.591300 • Web site: www.icepi.com
Iscrizione Registro Imprese di Piacenza • C.F. e Partita IVA n° 01055750333 • REA di PC n° 124137 • capitale sociale € 400.000,00 i.v.

Corrosion resistance chart & temperature informations

Tabelle di compatibilità materiali e dati sulle temperature

The information given in the following tables , is a general guide to the chemical resistance of the materials used by Sitecna® .

Le seguenti tabelle danno delle informazioni generali relative alla resistenza chimica dei materiali utilizzati da Sitecna® .

It is worth mentioning that many factors ie temperature, concentration, pressure and degree of contamination etc. may vary and so effect certain ratings in the table.

and degree of contamination etc. may vary and so effect certain ratings in the table.

E' corretto precisare che le informazioni possono variare in funzione di molti fattori come la temperatura, la concentrazione, ed il grado di contaminazione.

We therefore advise that the ratings given be used as a guide only for your choice of materials and not as the absolute answer .

Raccomandiamo pertanto di utilizzare le seguenti tabelle come una guida per la selezione di materiali idonei alla propria applicazione, senza valutare i dati forniti come valori assoluti .

Approximate service temperature range for used basic polymer types :

Temperature indicative di lavoro per i polimeri base utilizzati :

Nitrile (General Service) -34°C to 121°C (-30°F to 250°F)*

Ethylene Propylene (EPDM) -57°C to 121°C (-70°F to 250°F)*

Fluorocarbon -26°C to 205°C (-15°F to 400°F)*

Hifluor (FKM) -26°C to 205°C (-15°F to 400°F)*

Polyurethane -40°C to 82°C (-40°F to 180°F)*

Fluorosilicone -73°C to 177°C (-100°F to 350°F)*

Silicone -54°C to 232°C (-65°F to 450°F)*

A = Excell ent / Eccellente

B =Good/Buona

C=Fair,probably unsuitable /Scarsa,probabilmente non idoneo

D= Not recommended /Non raccomandato

- = No informations / Nessuna informazione

<i>Media</i>	<i>316 SS</i>	<i>Aluminium</i>	<i>FKM</i>	<i>EPDM</i>	<i>Media</i>	<i>316 SS</i>	<i>Aluminium</i>	<i>FKM</i>	<i>EPDM</i>
Acetaldehyde	A	A	A	A	Copper chloride	D	D	A	A
Acetate solvents	A	A			Copper nitrate	D	A	A	C
Acetic acid 10%	A	A	A	A	Copper sulphate	D	A	A	A
Acetic acid 60%	A	A			Creosote hot	B	-	A	C
Acetic acid glacial	A	A	A	A	Cresylic acid	D	A	A	C
Acetic acid vapours	A	C			Cyanide solutions	-	A	A	-
Acetic anhydride	A	A	A	C/B	Cyclohexane	A	A	A	C
Acetone	A	A	C/B	A	Detergents sythetic	A	A	A	A
Acetylene	A	A	A	A	Diacetone alcohol	A	A	A	A
Acylonitrile	A	A			Dichlorobenzene	-	B		
Adipic acid 15 25%	A	A	A	C/B	Dichloroethylene	-	A		
Alcohols	A	B			Diesel oil	A	A		
Aliphatic esters	A	C			Diethylamine	A	A		
Aliphatic hydrocarbons	A	A			Diethylene glycol	-	A		
Alkyl chlorides pure	B	C	A	D	Esters	-	A		
Alum	A	B	A	A	Ethers	B	A	A	C
Aluminium chloride	B	D	A	A	Ethyl acetate	C	A	B	B
Aluminium sulphate	A	B	A	A	Ethyl alcohol	B	A	A	A
Amines	A	A			Ethyl chloride dry	B	A	A	C
Amonia gas	A	B	C	A	Ethyl chloride wet	D	B	A	C
Ammonium bicarbonate	A	B	A	A	Ethylene glycol	B	A	A	A
Ammonium carbonate	A	B	A	A	Fatty acids	D	A	A	C
Ammonium chloride	B	B	A	A	Ferric chloride	D	D	A	A
Ammonium hydroxide	A	A	C/B	A	Ferric nitrate	D	A	A	A
Ammonium sulphate	A	B	A	A	Ferric sulphate	D	A	A	A
Amyl acetate	A	A	D	A	Ferrous sulphate	D	B	A	A
Amyl chloride	A	B	A	D	Fluorinated hydrocarbons	B	B		
Aqua regia	D	D	C	C/D	Fluorine dry gas	-	A	B	-
Aromatic hydrocarbons	A	A			Fluorine wet gas	B	D	B	D
Barium chloride	A	C	A	A	Fluorosilicic acid	D	B	A	B
Barium hydroxide	A	A	A	A	Formaldehyde 40%	C	B	A	A
Barium nitrate	A	A	A	A	Formic acid 50%	D	A	A	A
Benzene	A	A	A	D	Fruit juices	D	A	-	-
Benzoic acid	A	B	A	D	Fuel oil	B	A	A	D
Boric acid	B	C	A	A	Furfural	B	A	A	B
Brines(seawater)	C	B	A	C	Gallic acid 25%	D	A	A	B
Bromine dry	D	B	A	C	Gelatine	D	A	A	A
Bromine wet	D	D	A	C	Glucose	B	A	A	A
Butadiene	A	A	A	C	Glycerine	B	A	A	A
Butane	A	A	A	C	Glycols	B	A	A	A
Butyl acetate	A	A	A	C	Hydrobromic acid	D	D	A	A
Butyl alcohol	A	A	A	C	Hydrochloric acid 10% hot	D	D	A	D
Butyric acid	A	A	A	C	Hydrochloric acid 10%	D	D	A	B
Calcium bisulphate	A	C	A	A	Hydrocyanic acid	C	A	A	A
Calcium chloride	B	B	A	A	Hydrofluoric acid 40%	D	D	A	D
Calcium hydroxide	A	A	A	A	Hydrogen chloride dry	D	A	A	-
Calcium hypochlorite	B	D	A	A	Hydrogen chloride wet	D	D	A	-
Calcium nitrate	A	-	A	A	Hydrogen peroxide	D	B	A	A
Carbolic acid	A	B	A	C	Hydrogen sulphide dry	B	A	A	A
Carbon disulphide	A	A	A	C	Hydrogen sulphide wet	D	A	A	A
Carbonic acid	A	A	A	A	Hypochlorites	D	D	-	-
Carbon tetrachloride dry	A	B	A	D	Hypochlorous acid	-	D	A	B
Castor oil	A	A	A	C	Iodine wet	D	D	A	B
Chloric acid	D	D	A	A	Ketones	A	A	-	-
Chlorinated hydrocarbons	B	B	-	-	Lactic acid 10%	D	A	A	C
Chlorinated water saturated	C	C	-	-	Lead acetate	D	A	A	A
Chlorine dry gas	B	B	A	C	Lead nitrate 50%	D	A	A	A
Chlorine wet gas	D	D	-	-	Lime	-	A	A	A
Chlorine dioxide	D	-	A	C	Linseed oil	A	A	A	C
Chloroacetic acid	D	D	A	C	Litium bromide	-	B	A	A
Chlorobenzene dry	A	A	A	C	Litium chloride	-	B	A	A
Chloroform dry	A	D	A	D	Lubricating oils	A	A	A	D
Chlorosulphonic acid	C	B	A	D	Magnesium carbonate	D	A	A	A
Chrome acid dilute	A	B	-	-	Magnesium chloride	D	B	A	A
Chromic acid 50%	C	D	A	D	Magnesium hydroxide	B	A	A	A
Citric acid	A	C	A	A	Magnesium nitrate	D	A	A	A

www.sitecna.eu

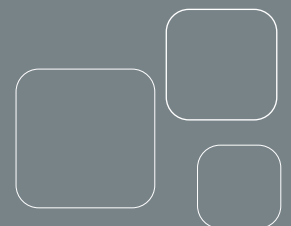
Media	316 SS	Aluminium	FKM	EPDM	Media	316 SS	Aluminium	FKM	EPDM
Magnesium sulphate	A	B	A	A	Sea water	B	A	A	A
Maleic acid	B	C	A	D	Siliconers	A	A	-	-
Malic acid	A	A	A	B	Silver bromide	D	D	A	A
Mercuric chloride	C	D	A	A	Silver chloride	D	D	A	A
Mercuric cyanide 5%	A	D	A	A	Silver nitrate	B	D	A	A
Mercuric iodine	-	D	A	A	Soaps	A	C	A	A
Mercuric nitrate 5%	A	D	A	A	Sodium acetate	A	B	A	A
Mercurous nitrate 5%	A	D	A	A	Sodium aluminate	B	D	A	A
Mercury	A	D	A	A	Sodium bicarbonate	A	A	A	A
Methyl alcohol	A	B	A	A	Sodium bisulphate	B	C	A	A
Methyl chloride dry	B	D	A	C	Sodium bisulphite	A	C	A	A
Methyl chloride wet	A	C	A	C	Sodium borate hot	A	C	A	A
Methyl ethyl ketone	A	A	A/B	A	Sodium bromide	B	B	A	A
Metyl isobutyl ketone	A	A	A	C	Sodium carbonate	A	D	A	A
Methyl methacrylate	A	-	A	D	Sodium chloride	B	B	A	A
Milk	A	A	A	A	Sodium chromate	A	A	A	A
Mixed acids nitric & sulphuric	B	B	A	A	Sodium cyanide	A	B	A	A
Molasses	A	B	-	-	Sodium dichromate	B	A	-	-
Naphtha	A	A	A	D	Sodium hydroxide 30%	A	D	A	-
Naphthalene	B	A	A	D	Sodium hypochlorite	C	C	A	A
Nickel chloride	C	D	A	A	Sodium metaphosphate	A	A	A	A
Nickel nitrate 5 10%	A	D	A	A	Sodium metasilicate	A	A	A	A
Nickel sulphate	A	D	A	A	Sodium nitrate	A	A	A	A
Nitric acid 25%	A	D	A	B	Sodium perborate	A	A	A	A
Nitric acid 70%	A	D	B	D	Sodium peroxide 10%	A	D	A	A
Nitric acid 100%	A	A	B	D	Sodium phosph. tribasic	B	D	A	A
Nitrobenzene	A	A	A	A	Sodium sulphate	A	B	A	A
Nonylphenol	A	-	-	-	Sodium sulphide	B	D	A	A
Oils essential	A	B	-	-	Sodium sulphite	A	B	A	A
Oils mineral	A	A	-	-	Sodium thiosulphate	A	A	A	A
Oils vegetable and animal	A	A	-	-	Stannic chloride	B	D	A	A
Oleic acid	B	A	A	D	Stannous chloride	B	D	A	A
Oleum	B	B	A	D	Starch	A	A	-	-
Oxalic acid 10%	B	C	A	A	Steam 0/400°F	A	A	A	A
Oxalic acid 30%	B	D	A	A	Stearic acid	A	A	A	B
Oxalic acid 50% boiling	C	D	A	A	Sugar liquors	A	A	-	-
Palmitic acid	A	B	A	B	Sulphonic acids	B	C	A	A
Paraffins	A	A	A	D	Sulphur fused	A	A	-	-
Petrol	A	A	A	D	Sulphar dioxide dry	A	A	A	A
Phenol	A	B	A	D	Sulphur dioxide wet	B	B	A	A
Phosphoric acid 10%	A	D	A	-	Sulphuric acid 5%	B	C	A	A
Phosphoric acid 30%	A	D	A	-	Sulphuric acid 5 20%	C	D	A	A
Phosphoric acid 50%	A	D	A	-	Sulphuric acid 20 80%	D	D	A	C
Phosphoric acid 10% boiling	B	D	-	-	Sulphuric acid 80%	B	C	A	D
Phosphorus trichloride dry	B	C	A	A	Sulphuric acid fuming	B	B	B	D
Phthalic acid	A	A	A	A	Sulphurous acid	B	C	A	B
Picric acid	A	B	A	A	Sulphur trioxide dry	B	A	-	-
Potassium bromide	A	B	A	A	Tannic acid	B	C	A	A
Potassium carbonate	A	B	A	A	Tar hot	A	A	A	D
Potassium chlorate	B	A	A	A	Tartaric acid	A	B	A	B
Potassium chloride	B	B	A	A	Tetrahydrofuran	B	-	-	-
Potassium chromate	A	A	A	A	Toluene	A	A	B	D
Potassium cyanide	A	C	A	A	Trichloretylene dry	B	A	A	D
Potassium dichromate	A	A	A	A	Triethanolamine	A	A	A	B
Potassium ferricyanide 25%	A	A	A	A	Turpentine	A	A	A	D
Potassium hydroxide 10%	A	D	A	A	Urea	A	B	A	A
Potassium hydroxide 50%	B	D	A	A	Varnish hot	A	A	A	D
Potassium nitrate	A	A	A	A	Vinagar	A	B	A	B
Potassium permanganate dilute	A	A	A	A	Vinyl chloride	B	A	A	D
Potassium silicate	A	A	A	-	Water distilled	A	A	A	A
Potassium sulphate	A	A	A	A	Water fresh	A	B	A	A
Propane	A	A	A	D	Whiskey	A	B	A	A
Propyl acetate	A	A	A	B	Wine	A	B	A	A
Propyl alcohol	A	A	A	A	Xylene	A	A	A	D
Pyridine	A	B	B	B	Zinc chloride	B	C	A	A
Pyrogallic acid	A	B	A	D	Zinc nitrate	B	B	A	A
Salicyclic acid	A	B	A	A	Zinc sulphate	A	C	A	A

BT-CTPD/C11C



Sitecna[®] is also the sole Italian distributor of the following brands:

- PMV
- Sigma HLR
- Alkon
- Condor Technology
- Imperial
- Waverley brownall
- Uni-lok
- Seetru
- Glass Specialist





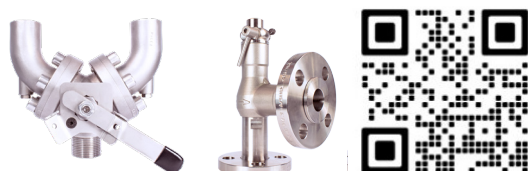
Manufacturer of digital positioners, analog positioners and switchboxes



Manufacturer of fittings, flow regulators & electro-pneumatic valves



Manufacturer of atmospheric or enclosed discharge safety relief valves, change-over valves, liquid level gauges



Manufacturer of controller units, manual relays, pressure sensors, hydraulic & quick exhaust valves



Manufacturer of instrumentation fittings, ball, needle, check, relief valves



Manufacturer of instrumentation fittings, ball, needle, check, diaphragm, bellows, manifold valves



Manufacturer of instrumentation heaters & thermostats for hazardous locations



Manufacturer of plastic tubing, valves & instrumentation solutions



*To visit official web-sites of our partners, use the linked QR code